



CDMA ANTENNA

Antenna CDMA Magnet Mount
A939, 410-470 MHz, 0 dBi, SMA(m),
RG174/3m

AO-ACDMA-MGS

SECTRON company offers a wide portfolio of LTE antennas with various versions differing in shape, level of gain and manner of attachment. SECTRON guarantees a compatible connection between an antenna and all antenna adaptors produced by SECTRON.

BENEFITS

- Low VSWR
- Easy installation

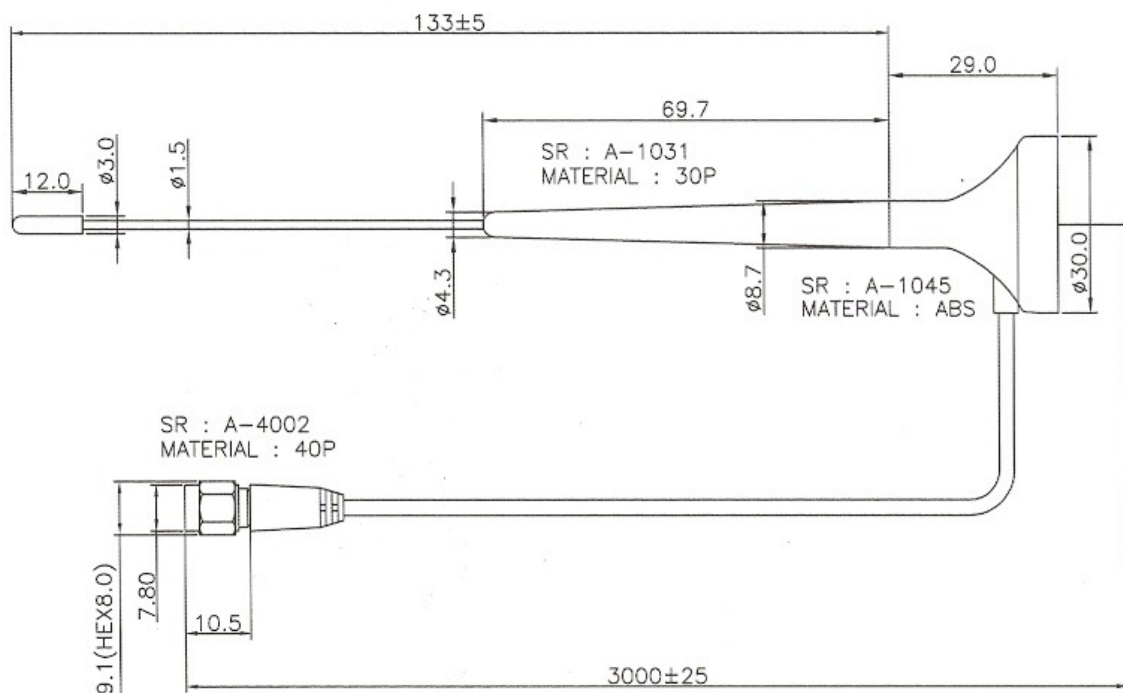


FEATURES

AO-ACDMA-MGS

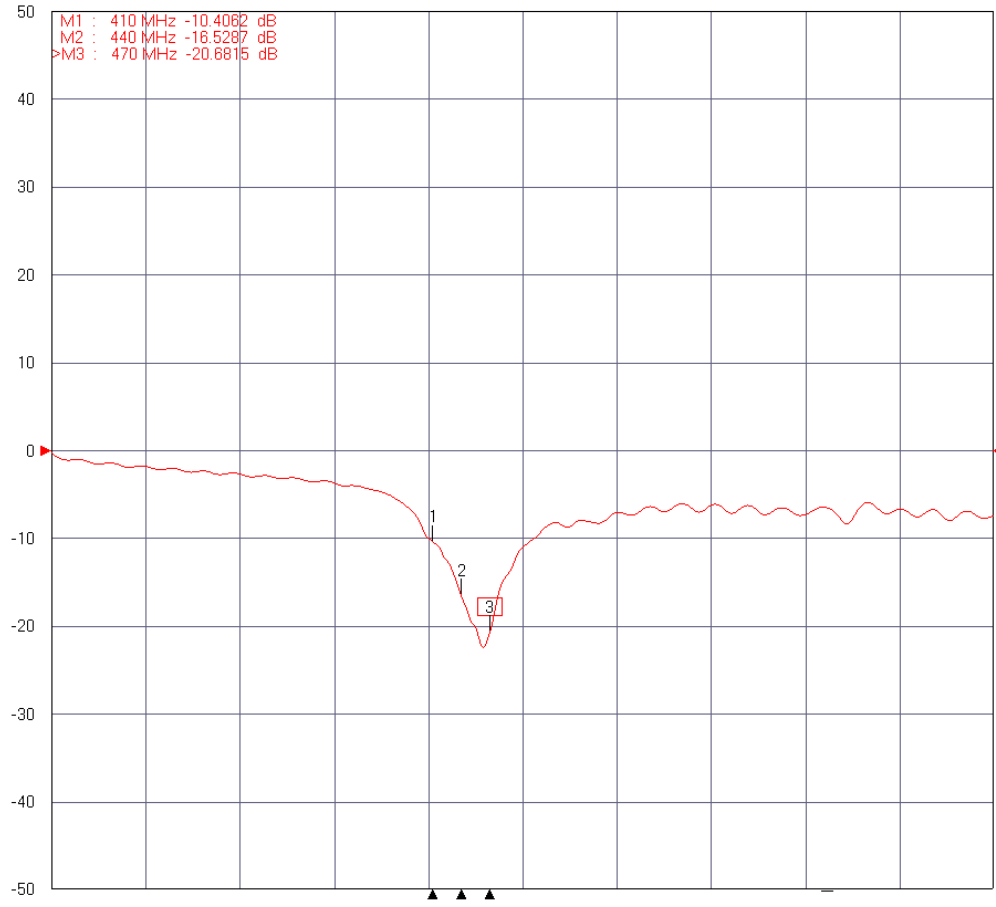
Technology	CDMA
Frequency bands	410/440/470 MHz
Bandwidth	≤ 30 MHz
Gain	0 dBi
VSWR	<1.86:1
Impedance	50 Ohm
Directivity	Omnidirectional
Beam angle	H 360° V 30°
Polarization	Linear
Maximum input power	10 W
Power voltage	-
Dimensions	∅ 30 x 162 mm
Weight	48.95 g
Operating temperature	-40 to +85 °C
Execution	External
Method of attachment	Magnet Mount
Cable type	RG174/U
The cable length	3 m
Connector type	SMA(m)
Certification	RoHS

DRAWING



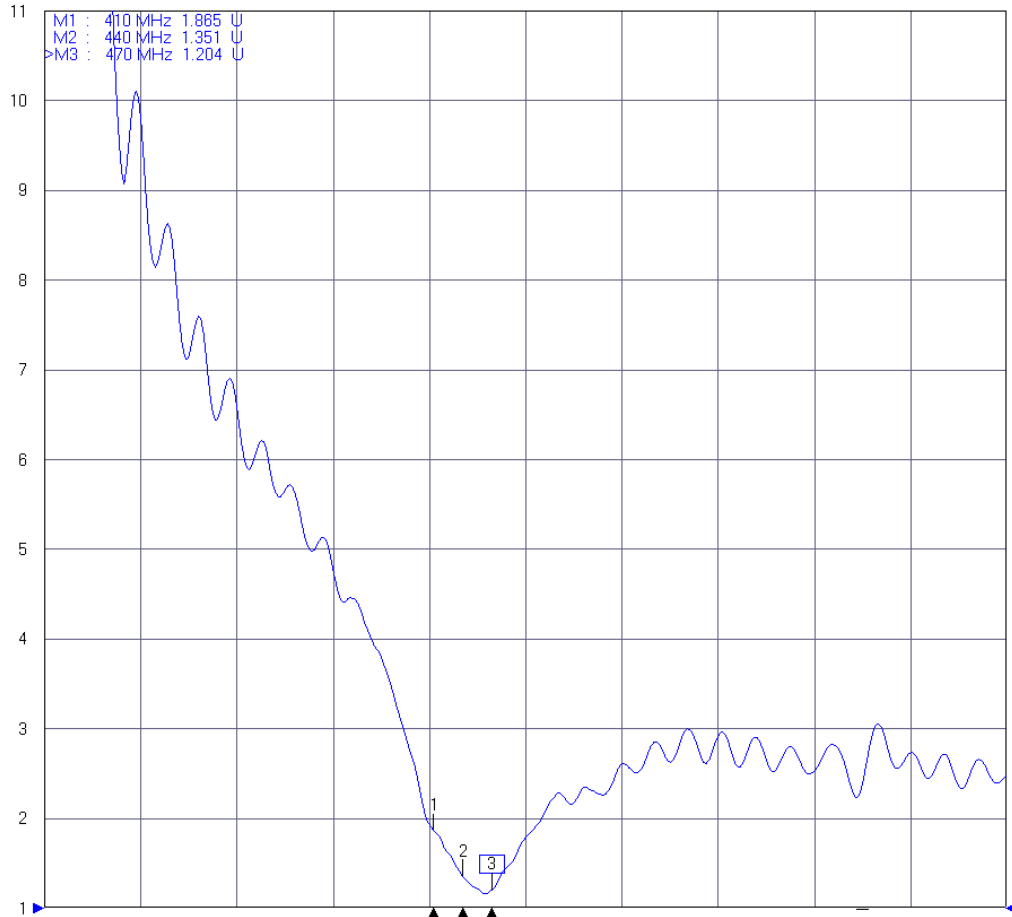
S_{11} - Return Loss [dB]

Tr1 S11 Refl Load RefLvl: 0 dB Res: 10 dB/Div



VSWR - Voltage standing wave ratio [-]

Tr2 S11 Refl SWR RefLvl: 1 U Res: 1 U/Div



Frequency [MHz]	S_{11} [dB]	VSWR [-]
410	-10.40	1.86
440	-16.52	1.35
470	-20.68	1.20

Different connector variants or cable lengths are available on request.

SECTRON s.r.o. Josefa Šavla 1271/12
709 00 Ostrava 9, Czech Republic

WWW.SECTRON.CZ
Tel.: +420 556 621 020