



GSM/UMTS/LTE ANTENNA

Antenna LTE Screw Mount G058,
SMA(m), RG174/20cm,
Durable UV resistant ABS

AO-ALTE-G058-020

SECTRON company offers wide portfolio of GSM/UMTS/LTE/Wi-Fi antennas with various versions differing in shape, level of gain or attachment manner. SECTRON guarantees compatible connection between antenna and all antenna adaptors produced by SECTRON.

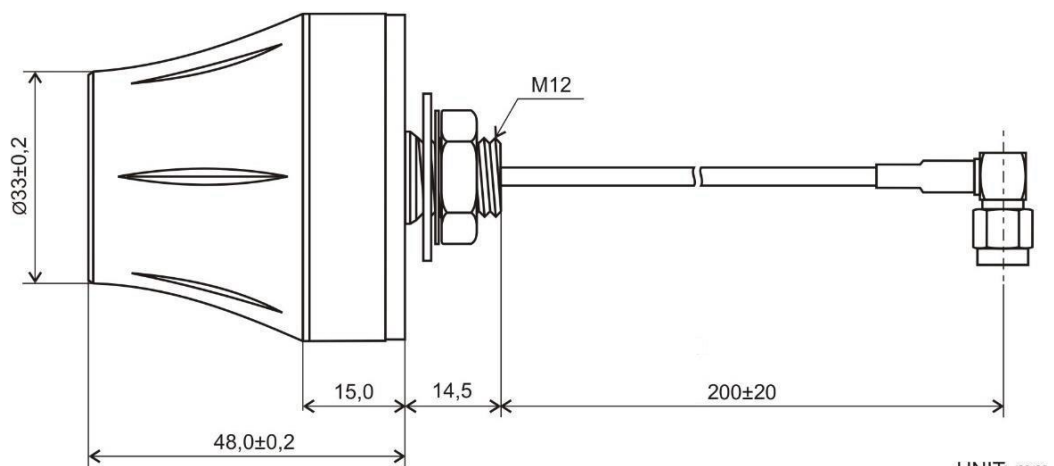
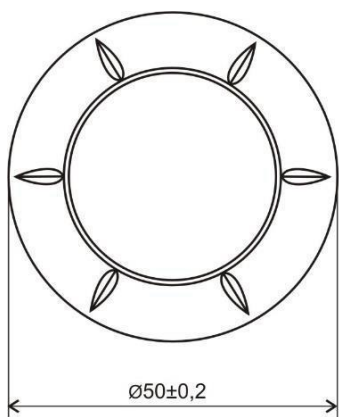


BENEFITS

- Durable – Anti-vandal design
- High frequency range (wide band antenna)
- Omnidirectional – suitable for moving devices

Technology	GSM/UMTS/LTE/Wi-Fi
Frequency bands	700/800/900/1800/1900/2100/2400/2600/2700 MHz
Supported LTE bands	EU: B1/B3/B7/B8/B20/B28/B31/B38/B40/B65
Maximum Gain	4.5 dBi
VSWR	<2.3:1 in whole band
Impedance	50 Ohm
Directivity	Omnidirectional
Beam angle at maximum	H 60° V 75°
Polarization	Linear
Maximum input power	10 W
Power voltage	-
Dimensions	63 x Ø50 mm
Weight	g
Operating temperature	-40 to +85 °C
Execution	External
Method of attachment	Screw Mount
Cable type	RG174/U
The cable length	20 cm
Connector type	SMA(m) 90°
IP Code	IP67
Material	Durable UV resistant ABS

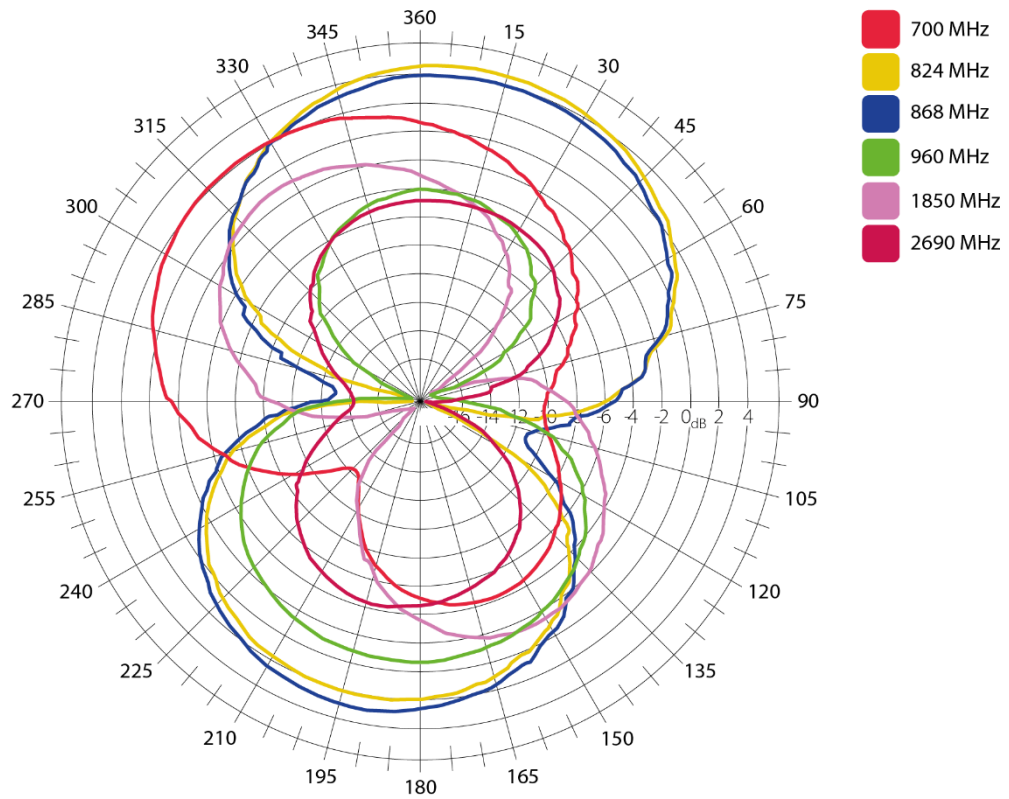
DRAWING



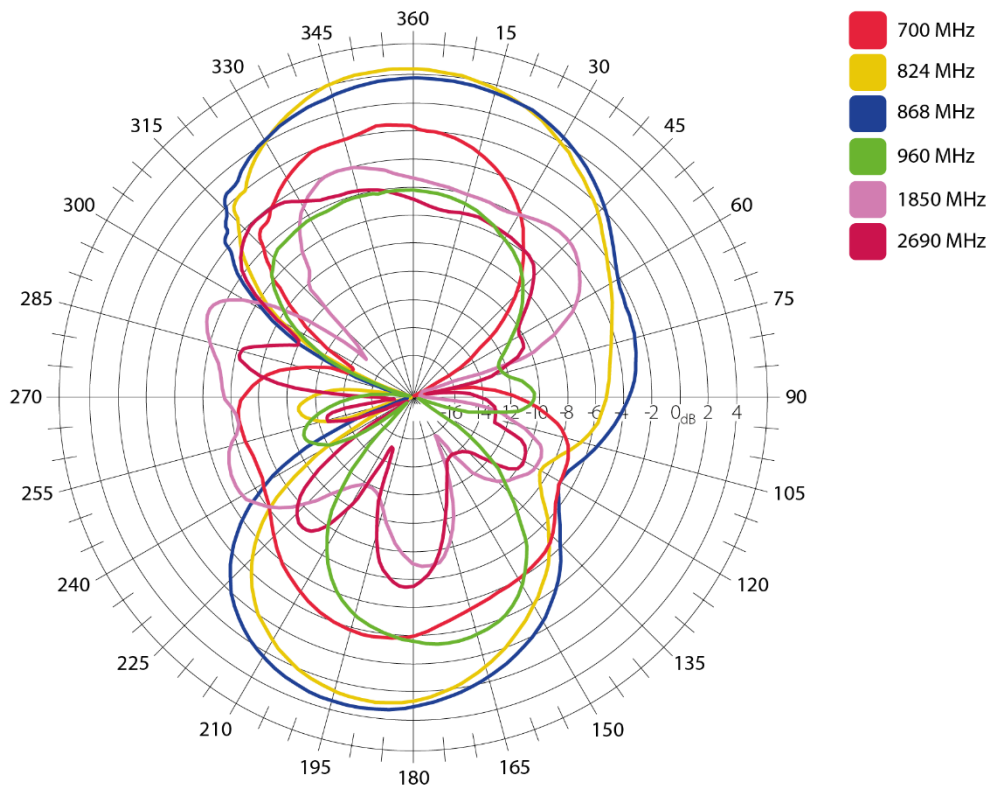
UNIT: mm

Radiation pattern – only for main frequencies

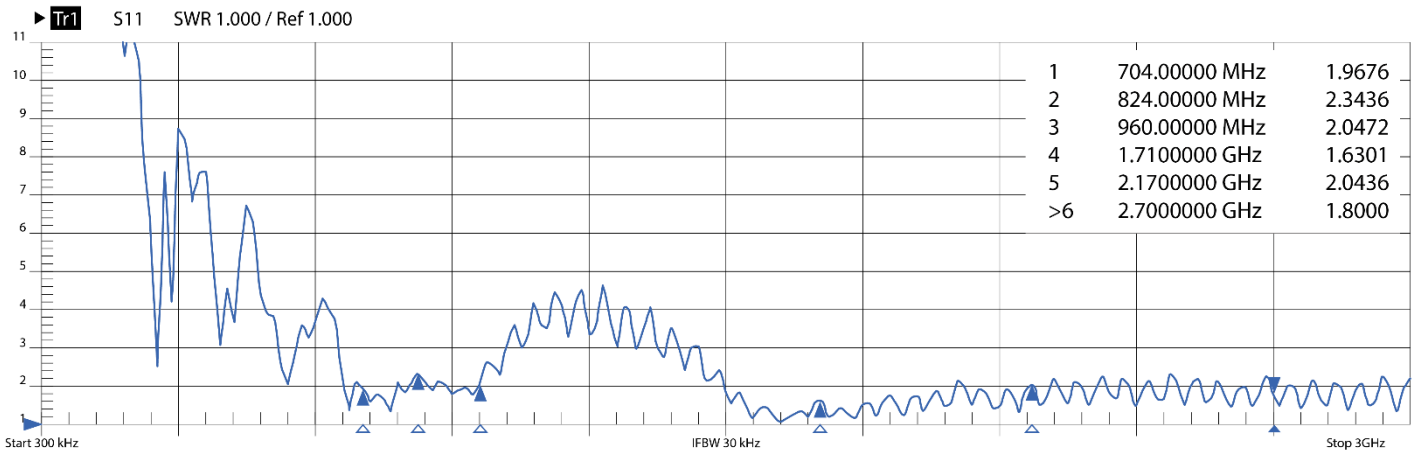
YZ Plane



XY Plane



VSWR



Frequency [MHz]	Max. Peak gain [dBi]	VSWR 50 Ω
698-960	4.5	<2:1
1710-2170	2.5	
2300-2700	2	

CONTACTS