



## GPS ANTENNA

Antenna GPS Active Magnet  
Mount EA-200, SMB(f)90°  
RG174/5m, 10 dBi, IP67

AP-A20BR-M5-10DB

SECTRON company offers a wide portfolio of GPS antennas with various versions differing in shape, level of gain and manner of attachment. SECTRON guarantees a compatible connection between an antenna and all antenna adaptors produced by SECTRON.



### BENEFITS

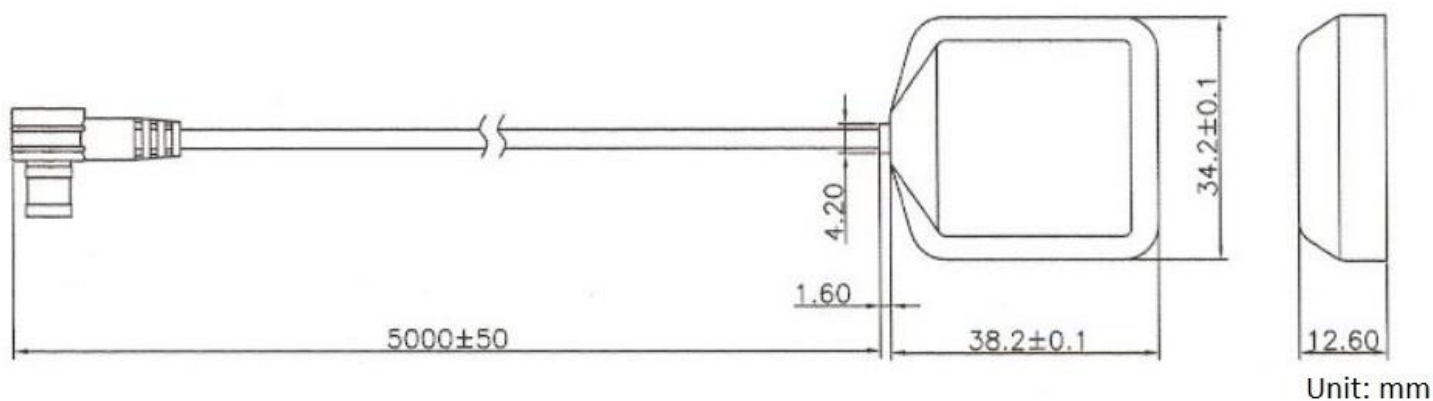
- Low VSWR
- Weather-resistant
- Easy installation

## FEATURES

AP-A20BR-M5-10DB

Technology	GPS
Frequency bands	1575.42 MHz
Bandwidth	-
Gain	10 dBi
VSWR	<2.0:1
Impedance	50 Ohm
Directivity	Directional
Beam angle	H 360° V 30°
Polarization	R.H.C.P.
Maximum input power	10 W
Power voltage	2.5-5.5 V DC
Dimensions	38.2 x 34.2 x 12.6 mm
Weight	88.83 g
Operating temperature	-40 to +90 °C
Execution	External
Method of attachment	Magnet Mount
Cable type	RG174/U
The cable length	5 m
Connector type	SMB(f)90°
IP Code	IP67

## DRAWING



## ALL VARIANTS

AP-A20BR-M5-10DB

Different connector variants or cable lengths are available on request.

## CONTACTS

SECTRON s.r.o. Josefa Šavla 1271/12  
709 00 Ostrava 9, Czech Republic

[WWW.SECTRON.CZ](http://WWW.SECTRON.CZ)  
Tel.: +420 556 621 020