



GPS/GLONASS ANTENNA

Antenna GPS/GLONASS Magnet Mount 004, SMA(m), RG174/5m

AP-AGNSS-L004M-S5

SECTRON company offers a wide portfolio of GPS/GLONASS antennas with various versions differing in shape, level of gain and manner of attachment. SECTRON guarantees a compatible connection between an antenna and all antenna adaptors produced by SECTRON.



BENEFITS

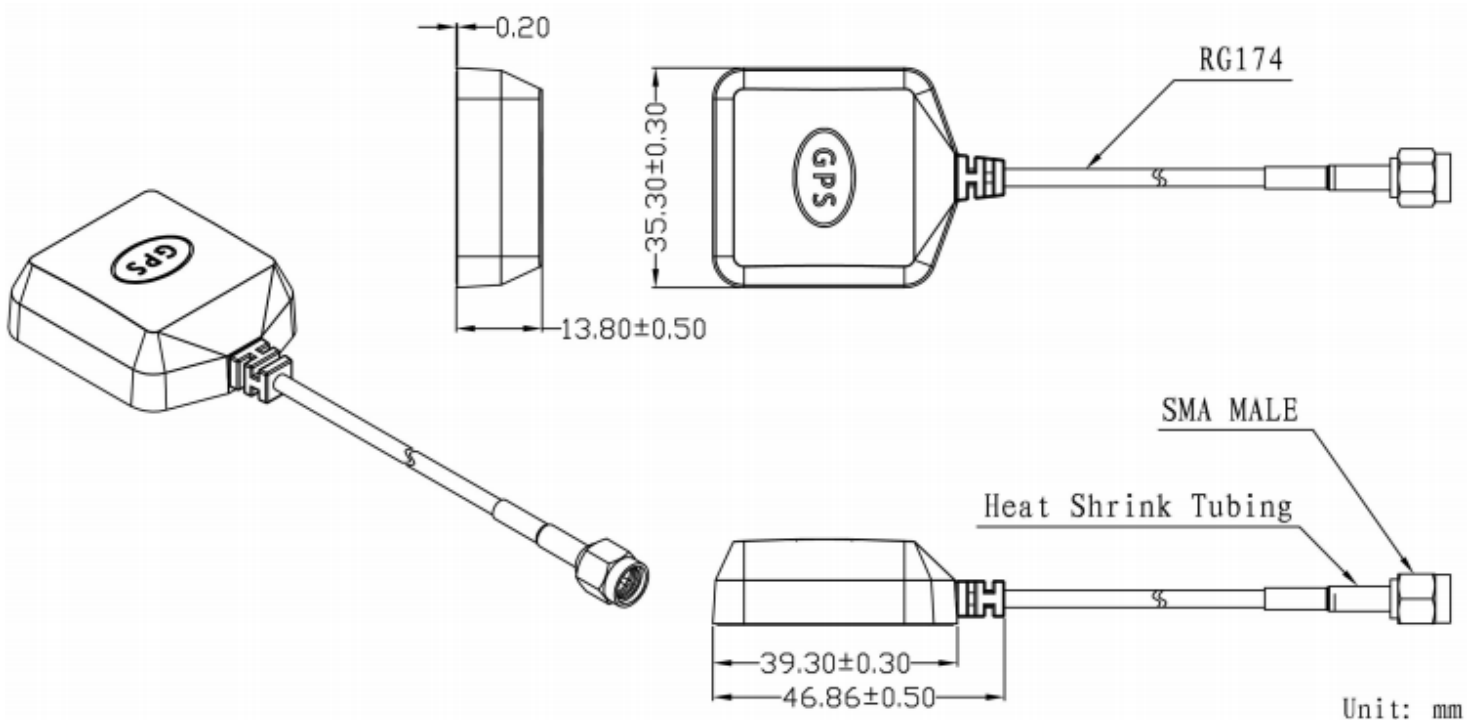
- Easy installation
- Low VSWR
- Directional

FEATURES

AP-AGNSS-L004M-S5

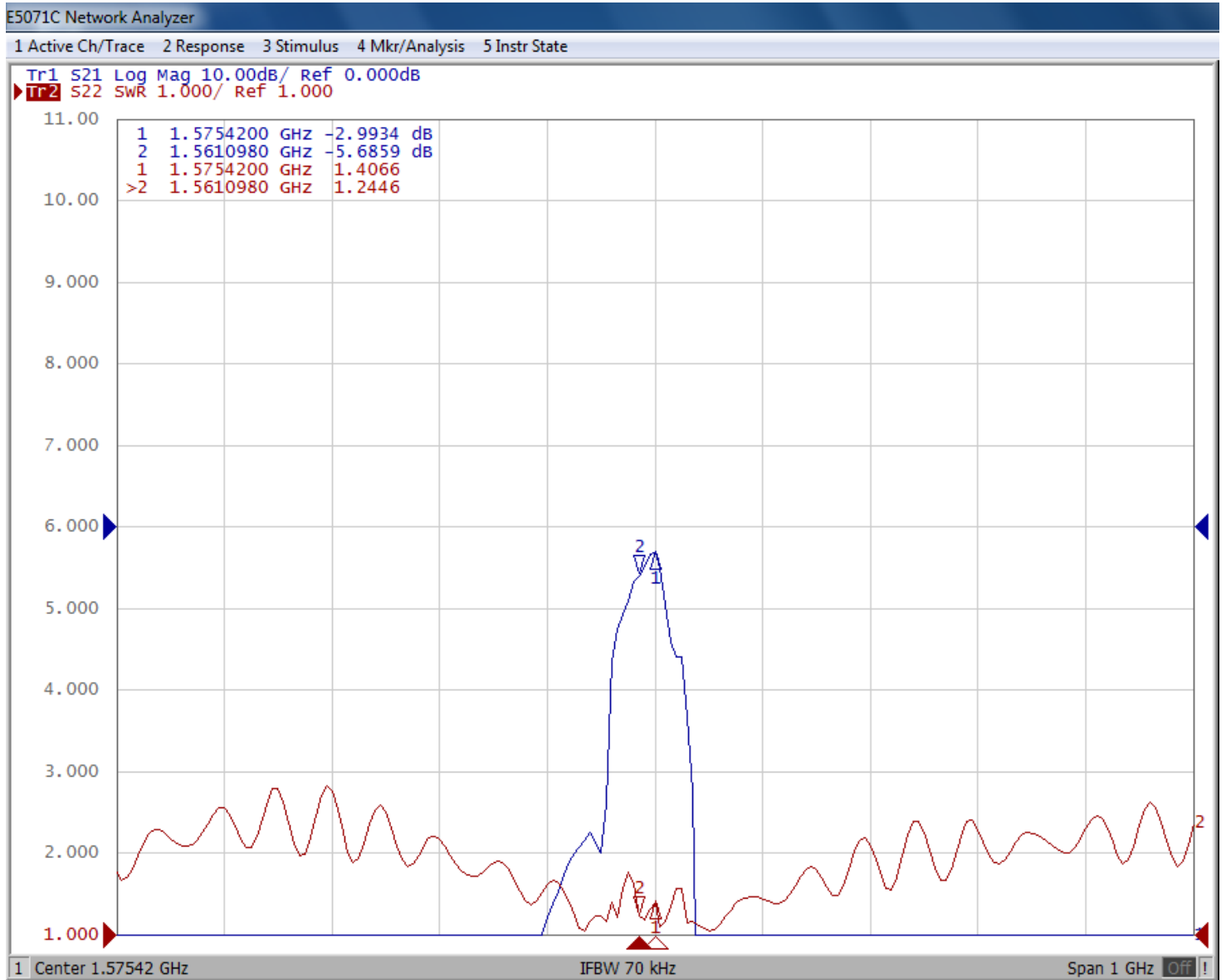
Technology	GPS/GLONASS
Frequency bands	1575.42/1602 MHz
Bandwidth	5 MHz
Gain	0 dBi
LNA Gain	28 dBi
VSWR	<1.6:1
Impedance	50 Ohm
Directivity	Omnidirectional
Beam angle	H 360° V 30°
Polarization	Vertical
Maximum input power	10 W
Power voltage	2.2-5 VDC
Dimensions	46.86 x 35.30 x 13.8 mm
Weight	79,01 g
Operating temperature	-40 to +85 °C
Execution	External
Method of attachment	Magnet Mount
Cable type	RG174/U
The cable length	5 m
Connector type	SMA(m)
Certification	RoHS, IP67

DRAWING

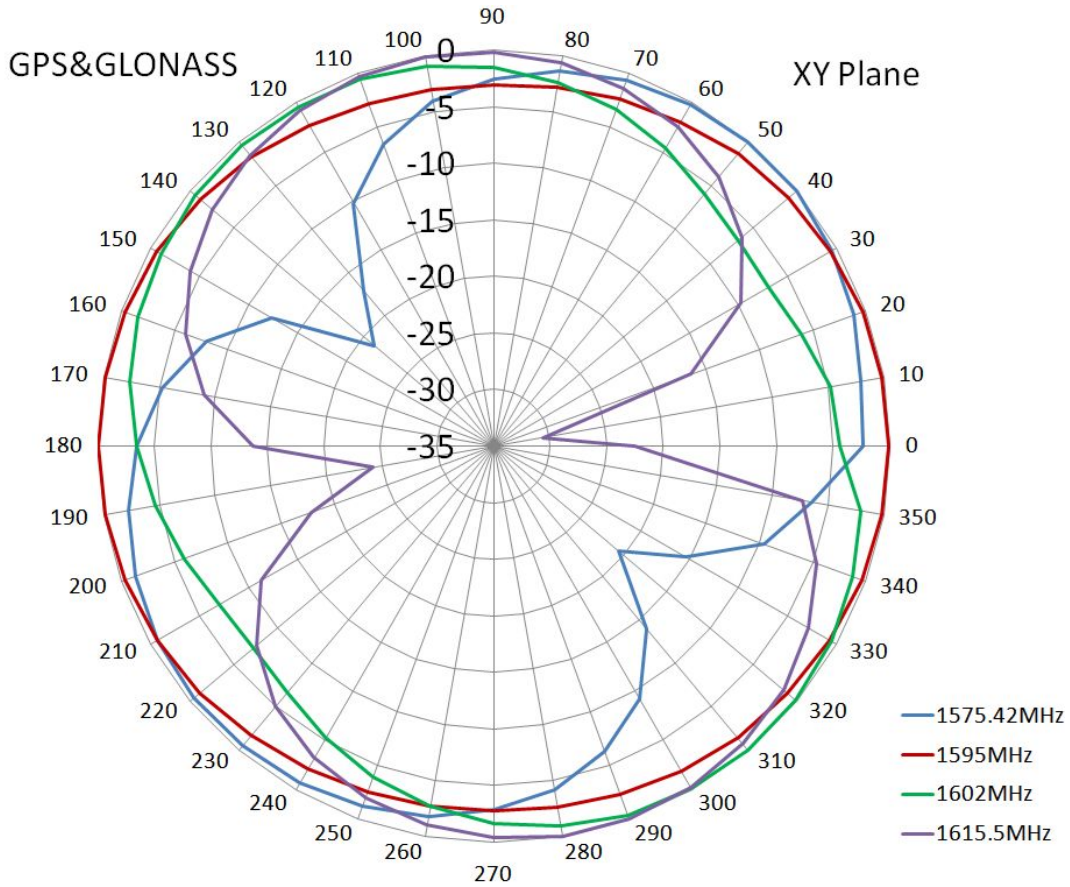


S_{11} - Return Loss [dB]

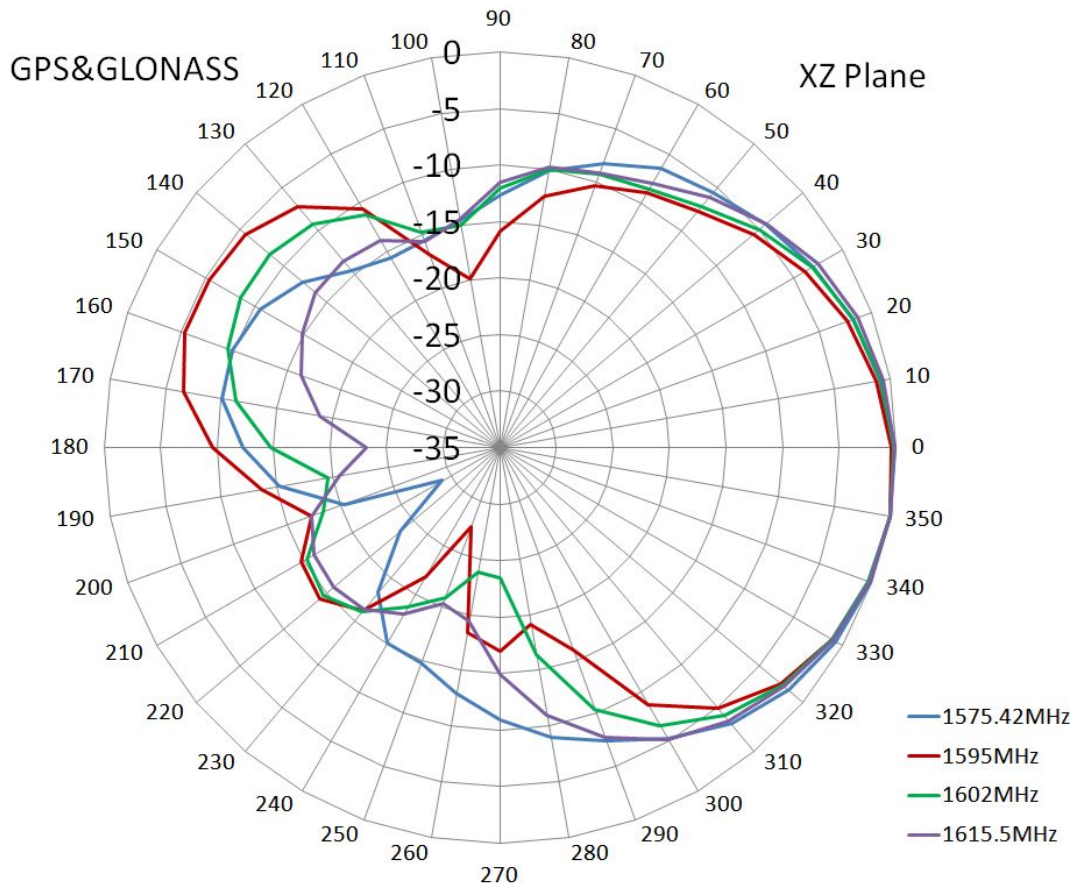
VSWR – Voltage standing wave ratio [-]



RADIATION PATTERN - XY plane



RADIATION PATTERN - XZ plane



Different connector variants or cable lengths are available on request.

CONTACTS

SECTRON s.r.o. Josefa Šavla 1271/12
709 00 Ostrava 9, Czech Republic

WWW.SECTRON.CZ
Tel.: +420 556 621 020