

# ANTENNA SPLITTER

## Antenna wide band 4 way splitter

SECTRON company offers wide portfolio of GSM antennas, antenna adaptors, splitters and boosters with various versions differing in shape, level of gain or attachment manner.

SECTRON guarantees compatible connection between antenna and all antenna adaptors produced by SECTRON.

## Features and benefits

- Continuous Production Quality Management Process
- Low Insertion Loss



WiFi



Bluetooth



GPS



GSM



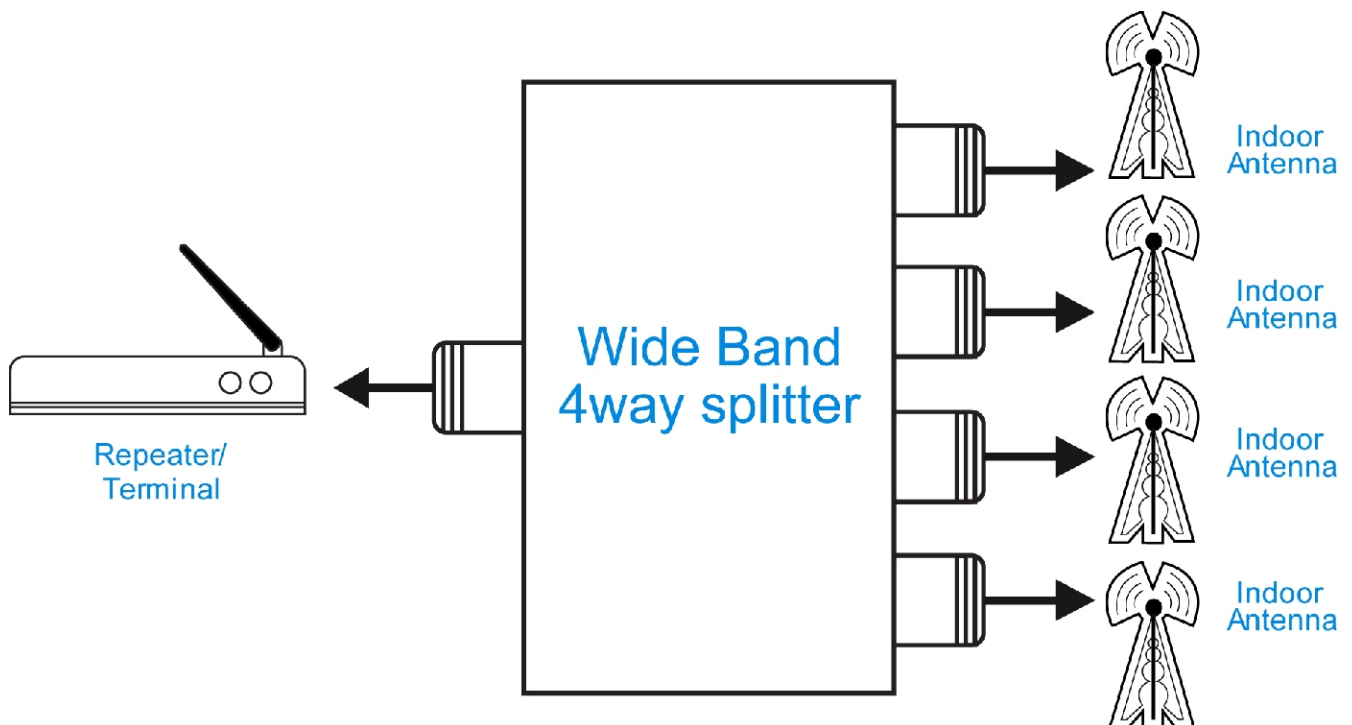
## Specification

Frequency	800 - 2500 MHz
VSWR	1.35 : 1 (max.)
Nominal Impedance	50 $\Omega$
Divider Factor	1 : 4
Divider Loss	6 dB
Connector	N (female)

## Characteristics

Dimensions (L x H x W)	2,9 x 11,4 x 11,6 mm
Weight	278 g
Temperature range	-40°C - +90°C

## Usage scheme



## Part numbering

XGSM-ROZBO4     Antenna 4 way splitter

**SECTRON s. r. o.** Czech Republic

Výstavní 2510/10, 709 00 Ostrava - Mar. Hory

Tel.: +420 596 639 953 Fax: +420 596 626 467

E-mail: sales@sectron.cz, www.sectron.eu