



GSM ANTENNA

Antenna GSM Magnetic 25,
2.5 dBi, SMA(m), RG174/2.5m

AO-AGSM-MG2S

SECTRON company offers a wide portfolio of GSM antennas with various versions differing in shape, level of gain and manner of attachment. SECTRON guarantees a compatible connection between an antenna and all antenna adaptors produced by SECTRON.

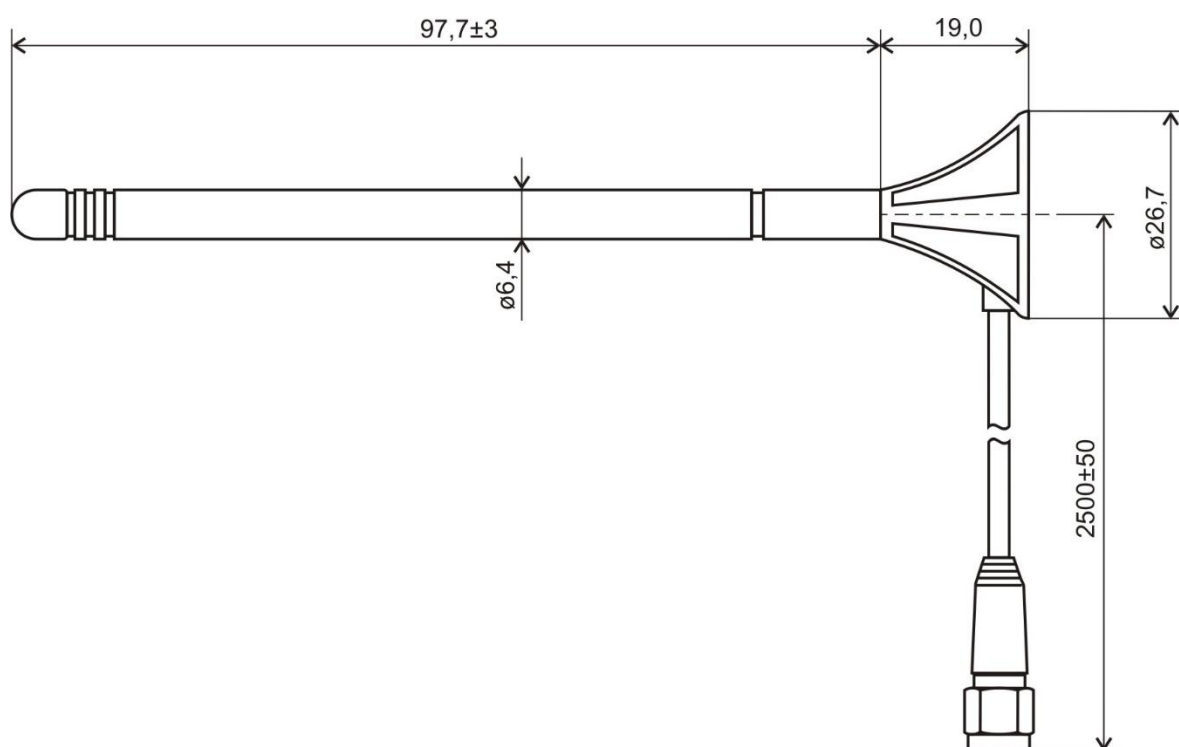
BENEFITS

- Easy installation
- Omnidirectional - suitable for moving devices



| | |
|-----------------------|-------------------------------|
| Technology | GSM |
| Frequency bands | 900/1800 MHz |
| Bandwidth | - |
| Gain | 2.5 dBi |
| VSWR | <2.5:1 |
| Impedance | 50 Ohm |
| Directivity | Omnidirectional |
| Beam angle | H 360° V 30° |
| Polarization | Linear |
| Maximum input power | 10 W |
| Power voltage | - |
| Dimensions | 116.7 x \varnothing 26.7 mm |
| Weight | 39.49 g |
| Operating temperature | -30 to +90 °C |
| Execution | External |
| Method of attachment | Magnetic |
| Cable type | RG174/U |
| The cable length | 2.5 m |
| Connector type | SMA(m) |

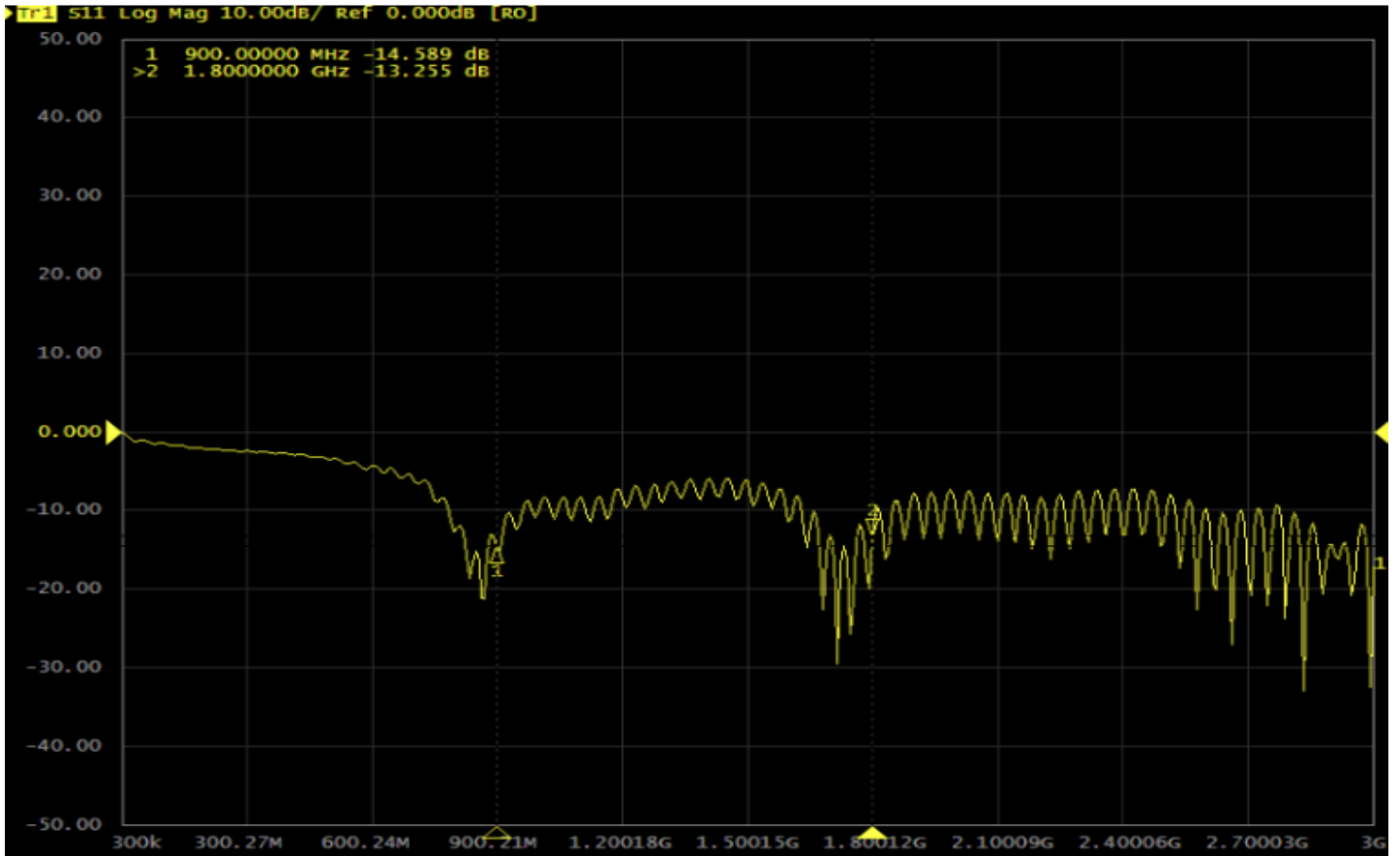
DRAWING



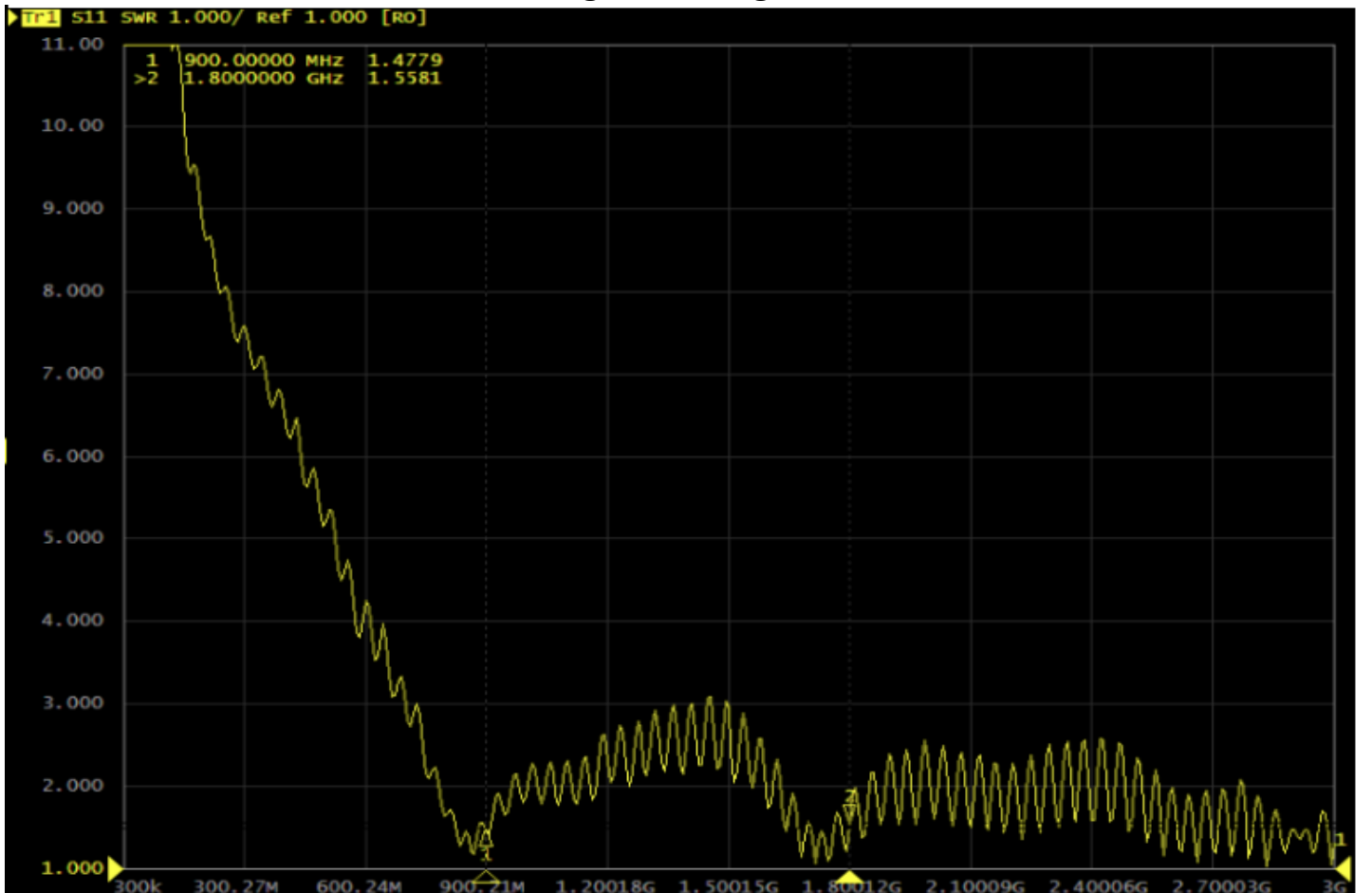
UNIT: mm

MEASUREMENTS

S11 - Return Loss [dB]

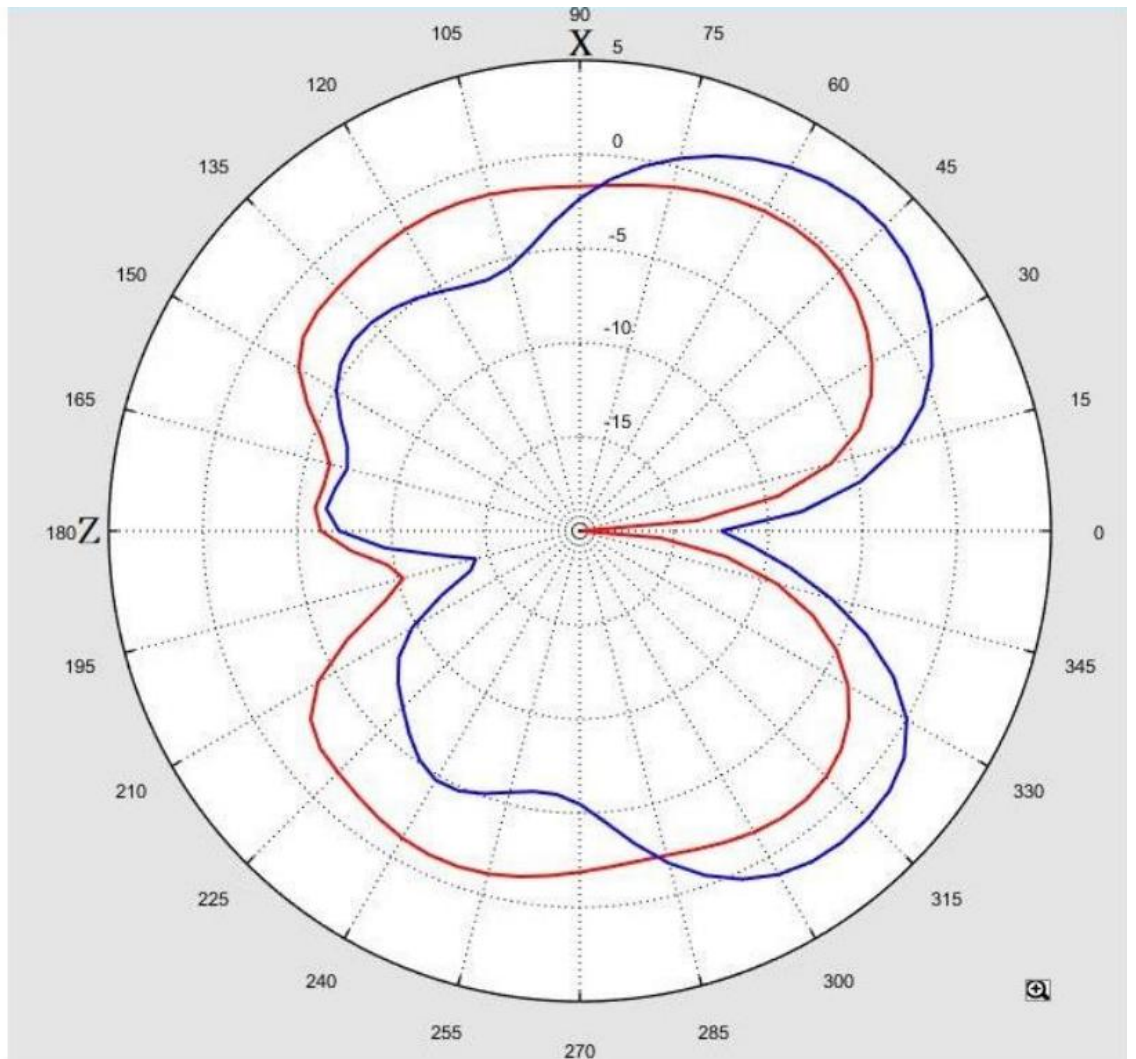


VSWR - Voltage standing wave ratio [-]



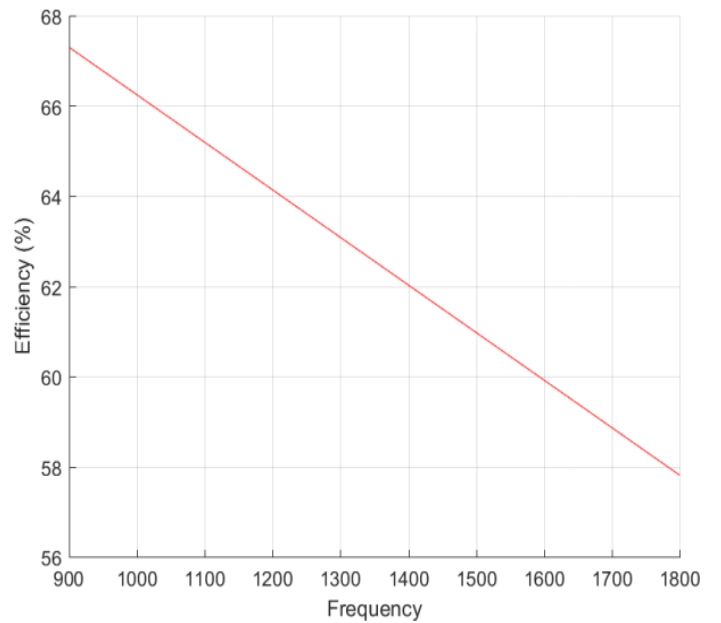
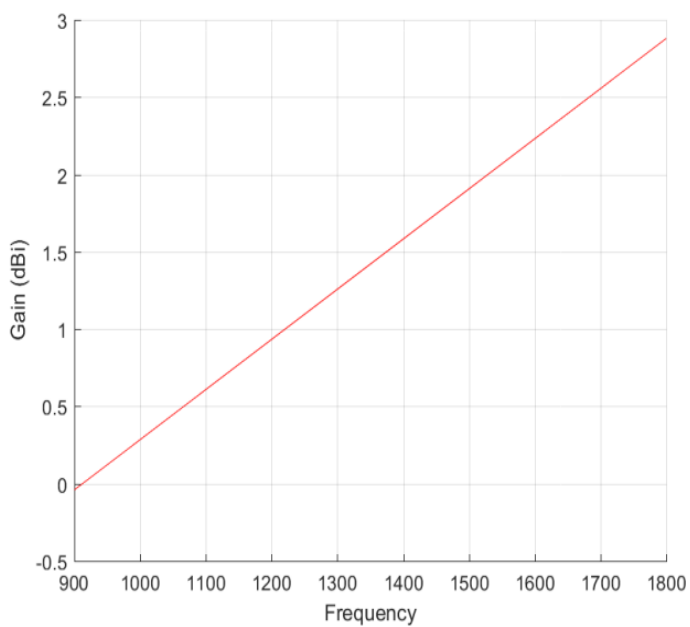
MEASUREMENTS

| Freq. / Chan. | Color |
|---------------|-------|
| 900MHz | Red |
| 1.8GHz | Blue |



Total_Gain (dBi)

Total_Efficiency (%)



MEASUREMENTS

| Frequency (MHz) | Return Loss (dB) | VSWR | Efficiency (%) | GAIN (dB) |
|-----------------|------------------|------|----------------|-----------|
| 900 | -14.58 | 1.47 | 67.3 | -0.04 |
| 1800 | -13.25 | 1.55 | 57.81 | 2.88 |

ALL VARIANTS

AO-AGSM-MG2S

Different connector variants or cable lengths are available on request.

CONTACTS

SECTRON s.r.o. Josefa Šavla 1271/12
709 00 Ostrava 9, Czech Republic

WWW.SECTRON.CZ
Tel.: +420 556 621 021