



GSM/GPS ANTENNA

Antenna GSM/GPS Adhesive PUK, FAKRA C/D, RG174/3m

AO-AKOM-30AA

SECTRON company offers a wide portfolio of GSM/GPS antennas with various versions differing in shape, level of gain and manner of attachment. SECTRON guarantees a compatible connection between an antenna and all antenna adaptors produced by SECTRON.



BENEFITS

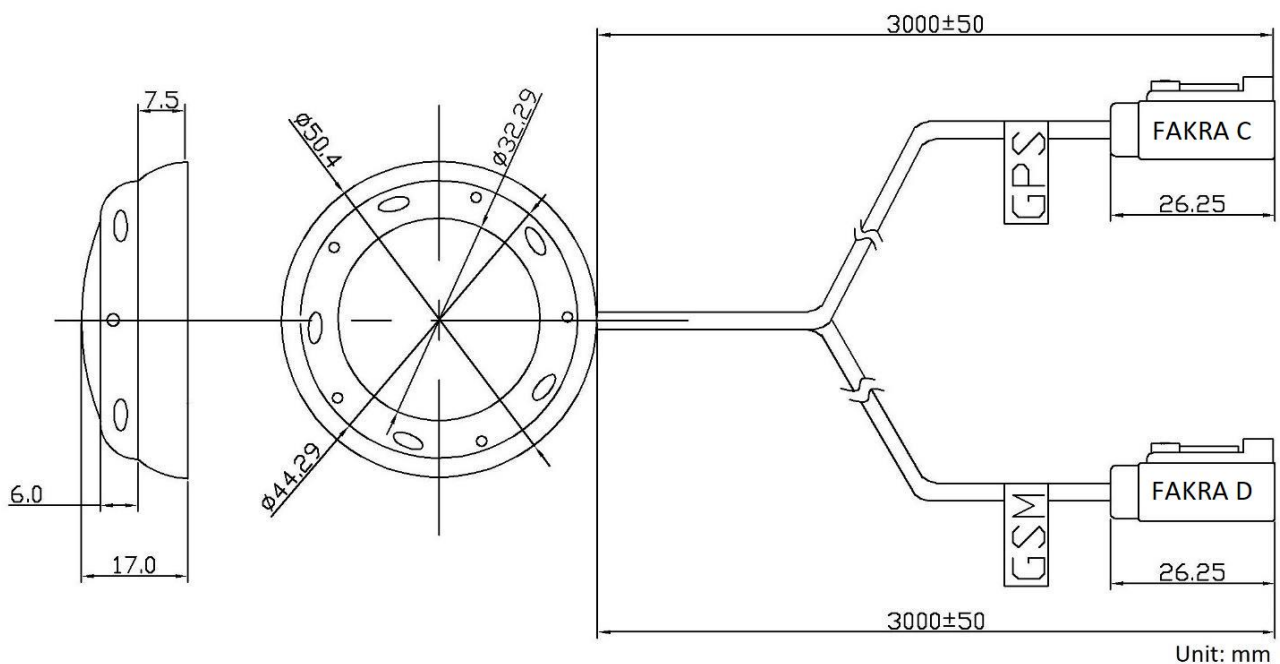
- Easy installation
- High LNA gain
- Anti-vandal design

FEATURES

AO-AKOM-30AA

Technology	GSM/GPS
Frequency bands	900/1800/2100/1575.42 MHz
Bandwidth	-
Gain	0 dBi
LNA Gain	30 dBi
VSWR	<2.0:1
Impedance	50 Ohm
Directivity	Omnidirectional
Beam angle	H 360° V 30°
Polarization	Linear
Maximum input power	10 W
Power voltage	-
Dimensions	Ø50.4 x 17 mm
Weight	95.94 g
Operating temperature	-30 to +90 °C
Execution	External
Method of attachment	Adhesive
Cable type	RG174/U
The cable length	3 m
Connector type	Fakra (f) D, Fakra (f) C
Certification	ISO 9001, ISO 14001

DRAWING



Different connector variants or cable lengths are available on request.