



## GSM/UMTS/LTE/GPS/ GLONASS

Antenna GSM/UMTS/LTE/GPS/  
GLONASS Adhesive R40,  
2x RG174/5m, 2x SMA(m)

AO-AKOM-40SS

SECTRON company offers a wide portfolio of GSM/GPS/GLONASS antennas with various versions differing in shape, level of gain and manner of attachment. SECTRON guarantees a compatible connection between an antenna and all antenna adaptors produced by SECTRON.

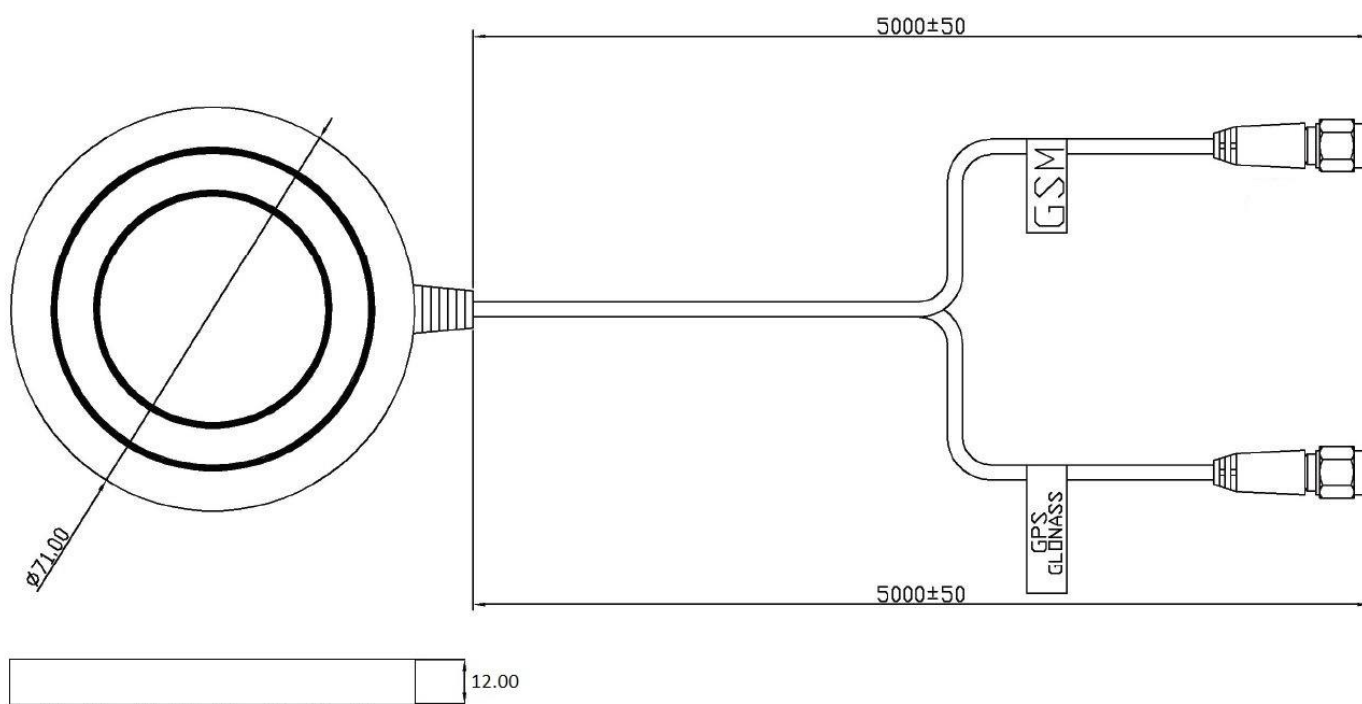


### BENEFITS

- Low VSWR
- Easy installation

Technology	GSM/UMTS/LTE/GPS/GLONASS
Frequency bands	900/1800/2100/1575.42/1602 MHz
Bandwidth	-
Gain	0/0 dBi
LNA gain	27 dB
VSWR	<2.0:1
Impedance	50 Ohm
Directivity	Omnidirectional
Beam angle	H 360° V 30°
Polarization	Linear/R.H.C.P.
Maximum input power	10 W
Power voltage	2.7 – 5.5 V DC
Dimensions	Ø 71 x 12 mm
Weight	137.87 g
Operating temperature	-30 to +90 °C
Execution	External
Method of attachment	Adhesive
Cable type	2 x RG174/U
The cable length	2 x 5 m
Connector type	SMA(m)/SMA(m)

DRAWING



Unit: mm

Different connector variants or cable lengths are available on request.