



LTE ANTENNA

Antenna 4G/LTE Connector Mount
FLAT EM507, 690 2700 MHz,
3 dBi, RP-SMA(pin f)

AO-ALTE-EM507RS

SECTRON company offers a wide portfolio of LTE antennas with various versions differing in shape, level of gain and manner of attachment. SECTRON guarantees a compatible connection between an antenna and all antenna adaptors produced by SECTRON.

BENEFITS

- Low VSWR
- High Gain

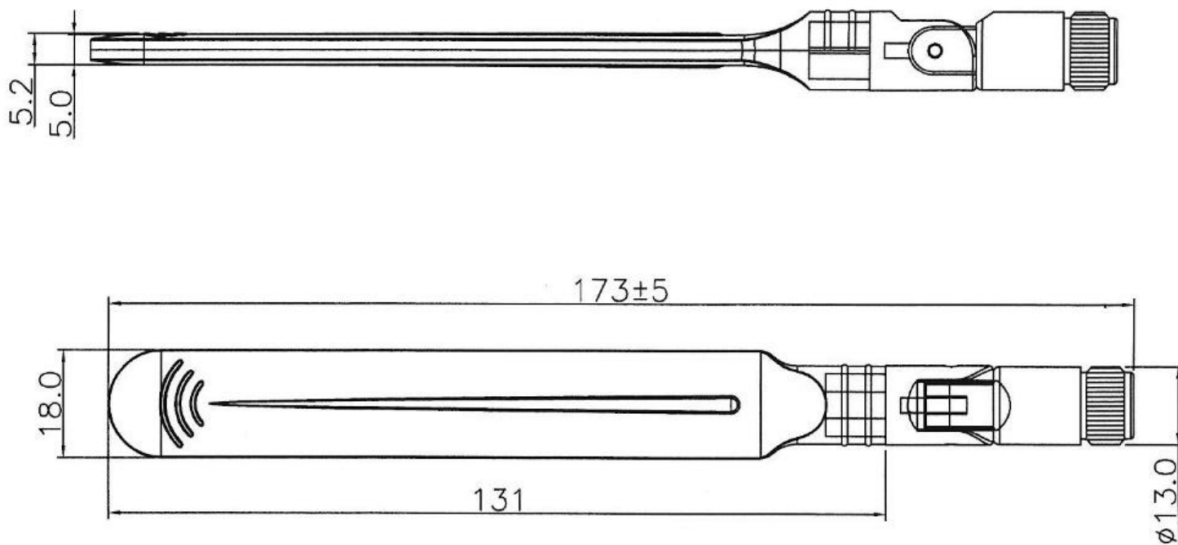


FEATURES

AO-ALTE-EM507RS

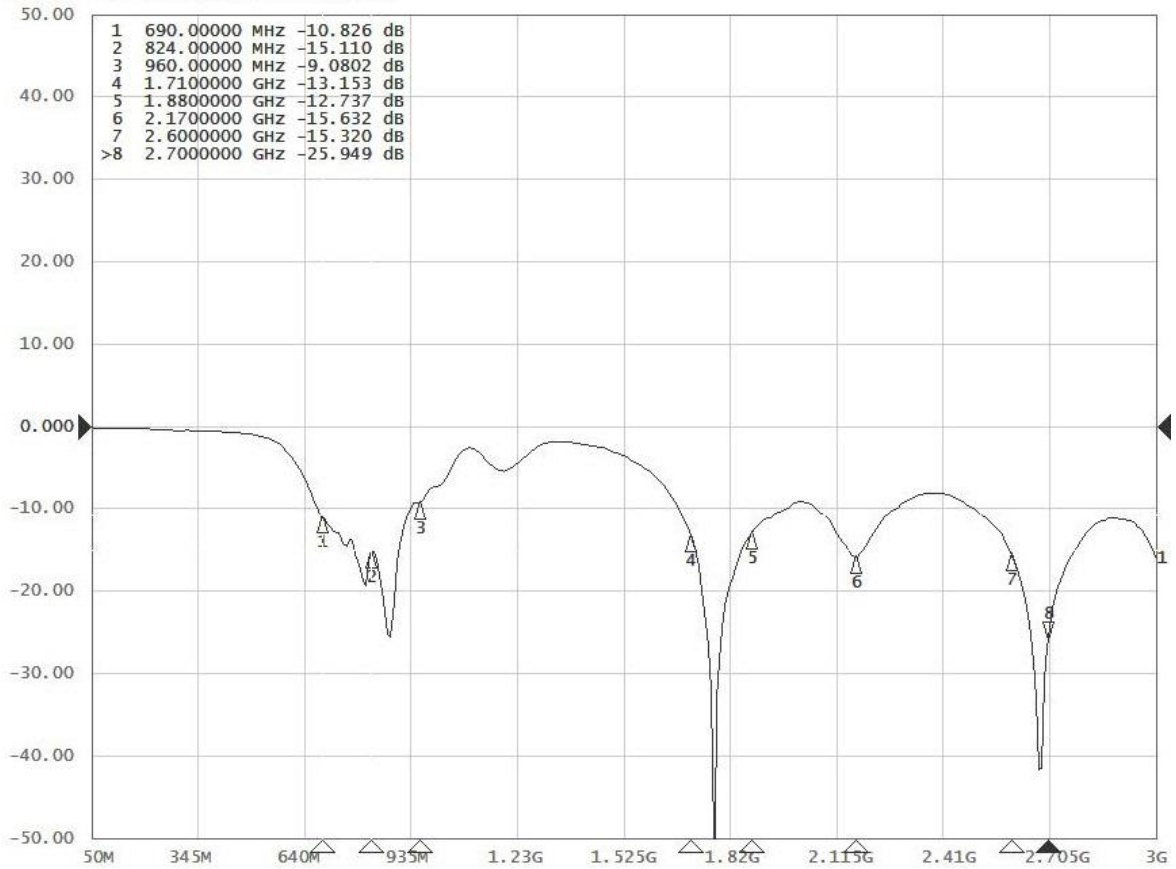
Technology	LTE
Frequency bands	690, 824, 960, 1710, 1880, 2170, 2600, 2700 MHz
Bandwidth	-
Gain	5.5 dBi
VSWR	<2:1
Impedance	50 Ohm
Directivity	Omnidirectional
Beam angle	Via attached graphs
Polarization	Linear
Maximum input power	10 W
Power voltage	-
Dimensions	173 x 18 x 13 mm
Weight	23.54 g
Operating temperature	-20 to +70 °C
Execution	External
Method of attachment	Connector Mount
Cable type	-
The cable length	-
Connector type	SMA-RP(f)
Certification	RoHS, ISO 9001, ISO 14001

DRAWING



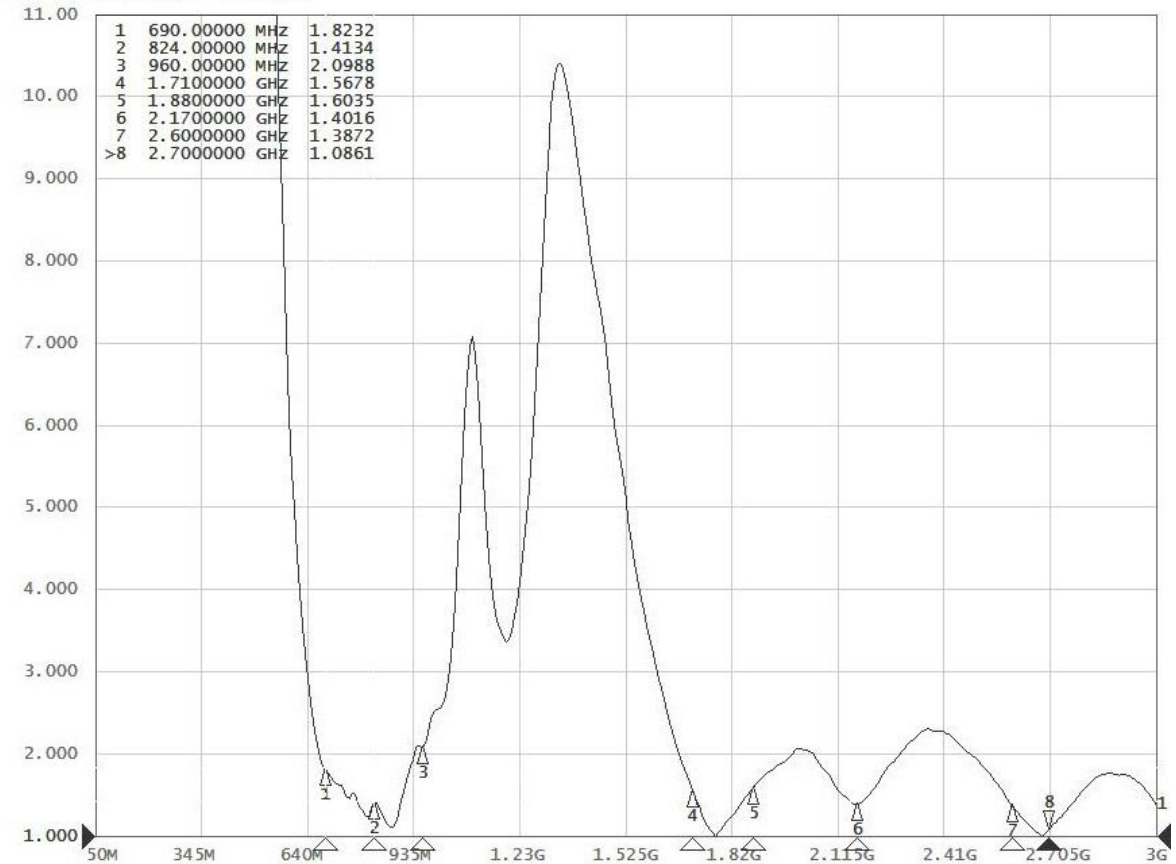
S_{11} - Return Loss [dB]

Tr1 S11 Log Mag 10.00dB/ Ref 0.000dB

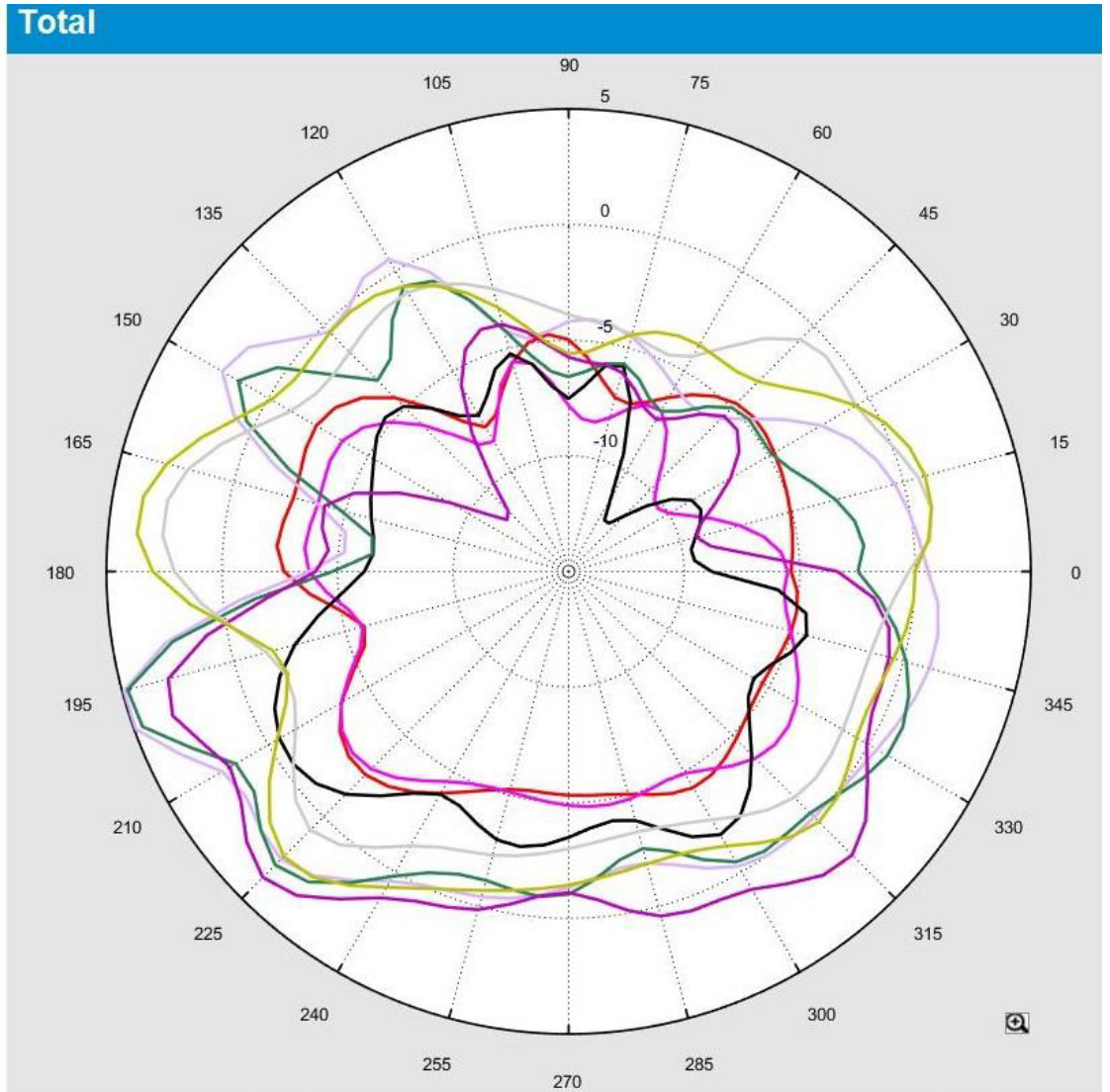


VSWR – Voltage standing wave ratio [-]

Tr1 S11 SWR 1.000/ Ref 1.000



2D RADIATION PATTERN



Frequency [MHz]	S_{11} [dB]	VSWR [-]	Efficiency [%]	Gain [dBi]
690	10.82	1.82	36.81	0.88
824	15.11	2.41	31.48	1.3
960	9.08	2.09	36.56	0.24
1710	13.15	1.56	83.95	5.48
1880	12.73	1.60	74.13	5.43
2170	15.63	1.40	68.39	3.71
2600	15.32	1.38	76.56	3.13
2700	25.94	1.08	83.37	3.71

Different connector variants or cable lengths are available on request.

SECTRON s.r.o. Josefa Šavla 1271/12
709 00 Ostrava 9, Czech Republic

WWW.SECTRON.CZ
Tel.: +420 556 621 020