

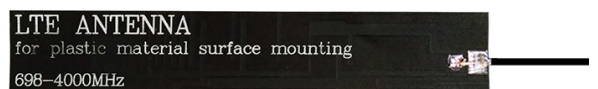


LTE/5G ANTENNA

Antenna LTE/5G Embedded FLEX G155,
U.FL(f) 90°, 1.13mm
Coaxial Cable/500mm

AO-ALTE-FPCG155U500

SECTRON company offers a wide portfolio of LTE/5G antennas with various versions differing in shape, level of gain and manner of attachment. SECTRON guarantees a compatible connection between an antenna and all antenna adaptors produced by SECTRON.



BENEFITS

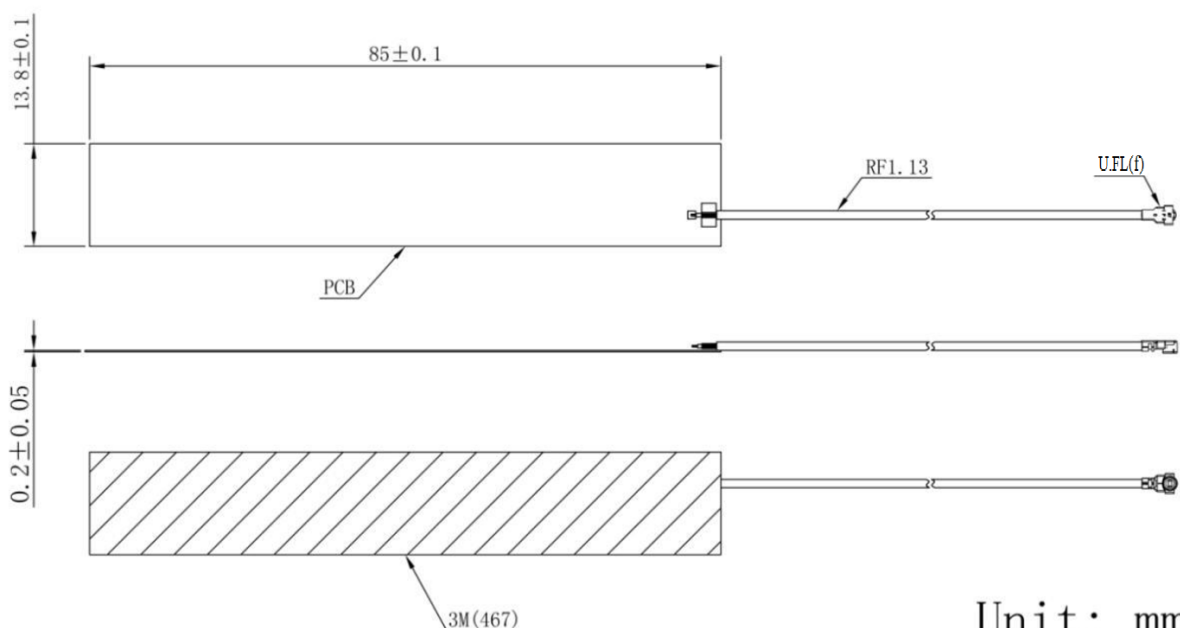
- Flexible design
- Adhesive mounting
- Optimized radiation pattern

FEATURES

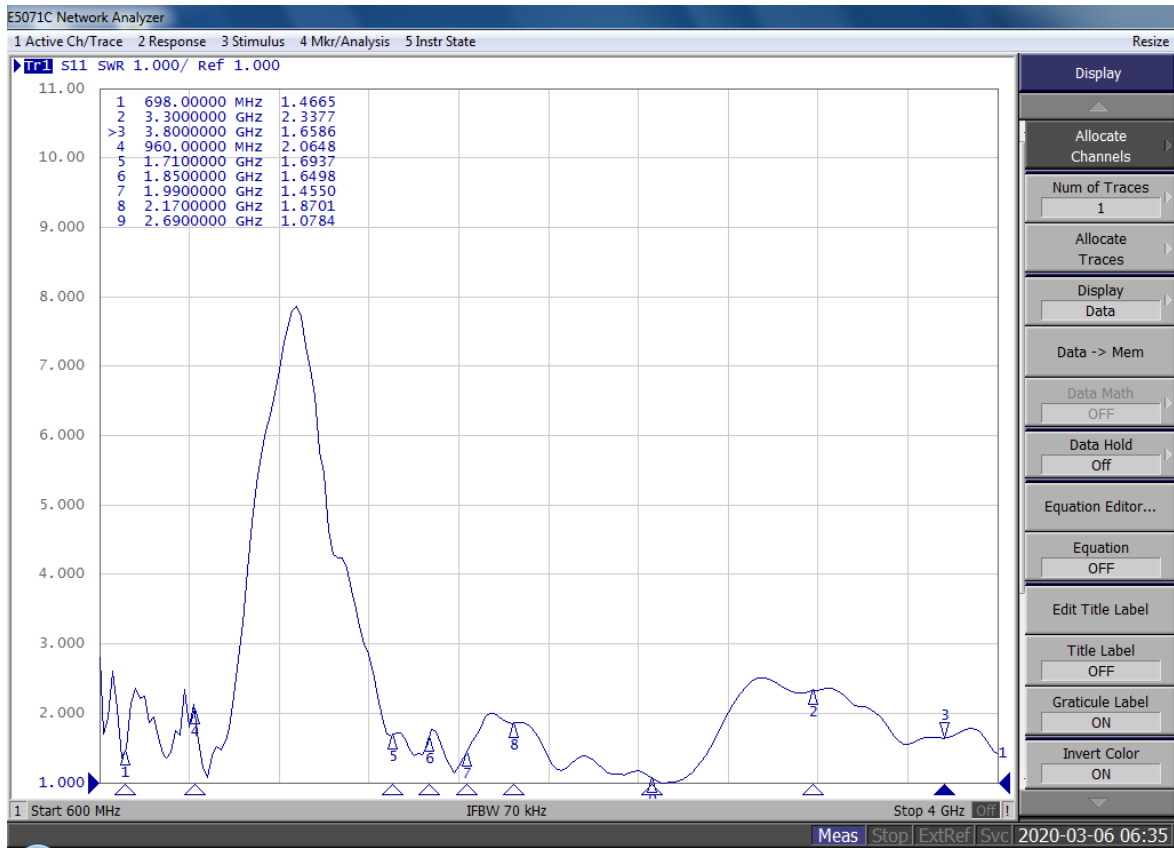
AO-ALTE-FPCG155U500

Technology	LTE/5G
Frequency bands	700/800/960/1700/2100/2400/2700/3300/3600 MHz
Bandwidth	-
Gain	max. 5.2 dBi
VSWR	<2.4:1
Impedance	50 Ohm
Directivity	Omnidirectional
Beam angle	Attached graphs bellow
Polarization	Linear
Maximum input power	10 W
Power voltage	2.2-5 VDC
Dimensions	85.0 x 13.8 x 0.2 mm
Weight	- g
Operating temperature	-40 to +85 °C
Execution	External
Method of attachment	Adhesive 3M
Cable type	1.13 mm RF cable
The cable length	0.5 m
Connector type	U.FL(f)
Certification	RoHS
IP code	-
Material	FPC

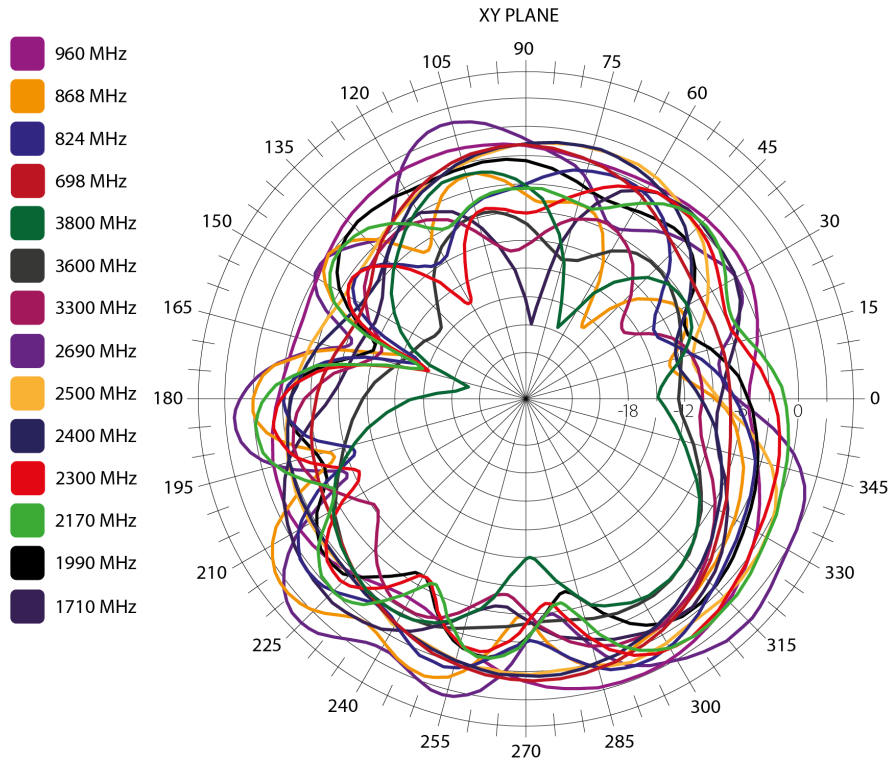
DRAWING



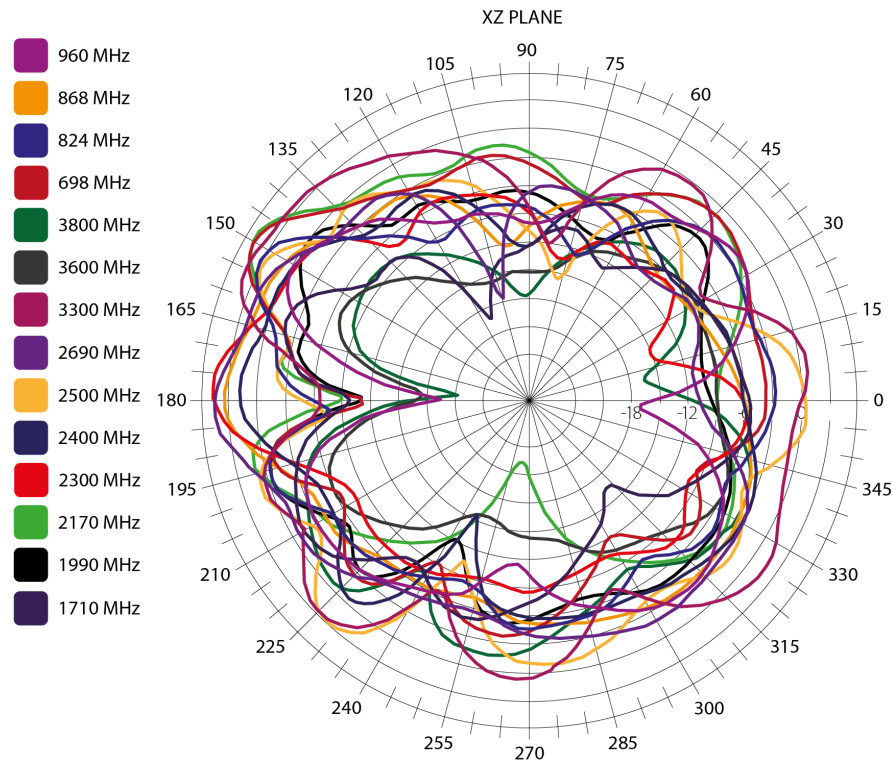
VSWR – Voltage standing wave ratio [-]



RADIATION PATTERN - XY plane



RADIATION PATTERN - XZ plane



VARIANTS

AO-ALTE-FPCG155U500

Different connector variants or cable lengths are available on request.

CONTACTS

SECTRON s.r.o. Josefa Šavla 1271/12
709 00 Ostrava 9, Czech Republic

WWW.SECTRON.CZ
Tel.: +420 556 621 020