



LTE ANTENNA

Antenna GSM/UMTS/LTE Adhesive,
5 dBi, SMA(m), RG58/1m

AO-ALTE-SA5S1

SECTRON company offers a wide portfolio of GSM/UMTS/LTE antennas with various versions differing in shape, level of gain and manner of attachment. SECTRON guarantees a compatible connection between an antenna and all antenna adaptors produced by SECTRON.



BENEFITS

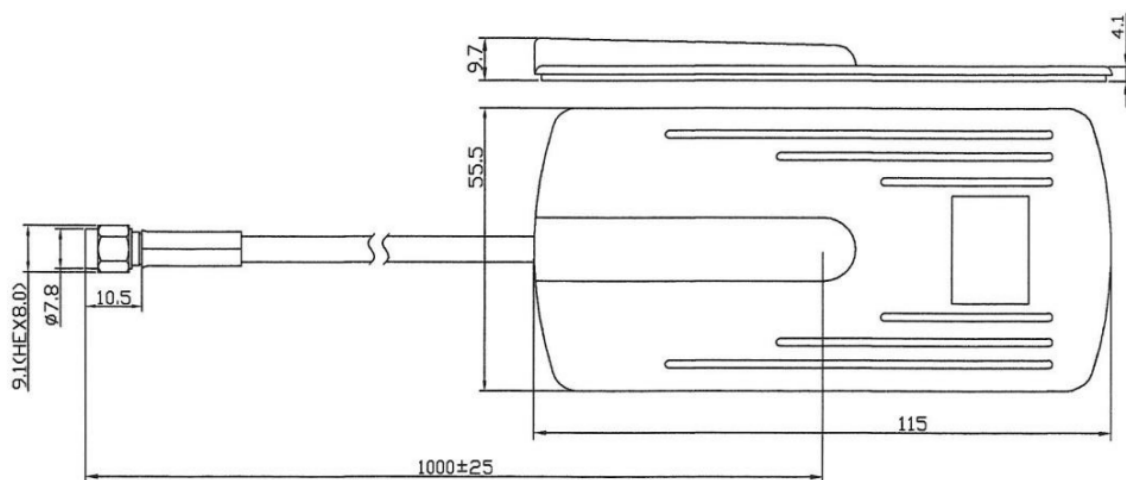
- Easy installation
- Omnidirectional - suitable for moving devices

FEATURES

AO-ALTE-SA5S1

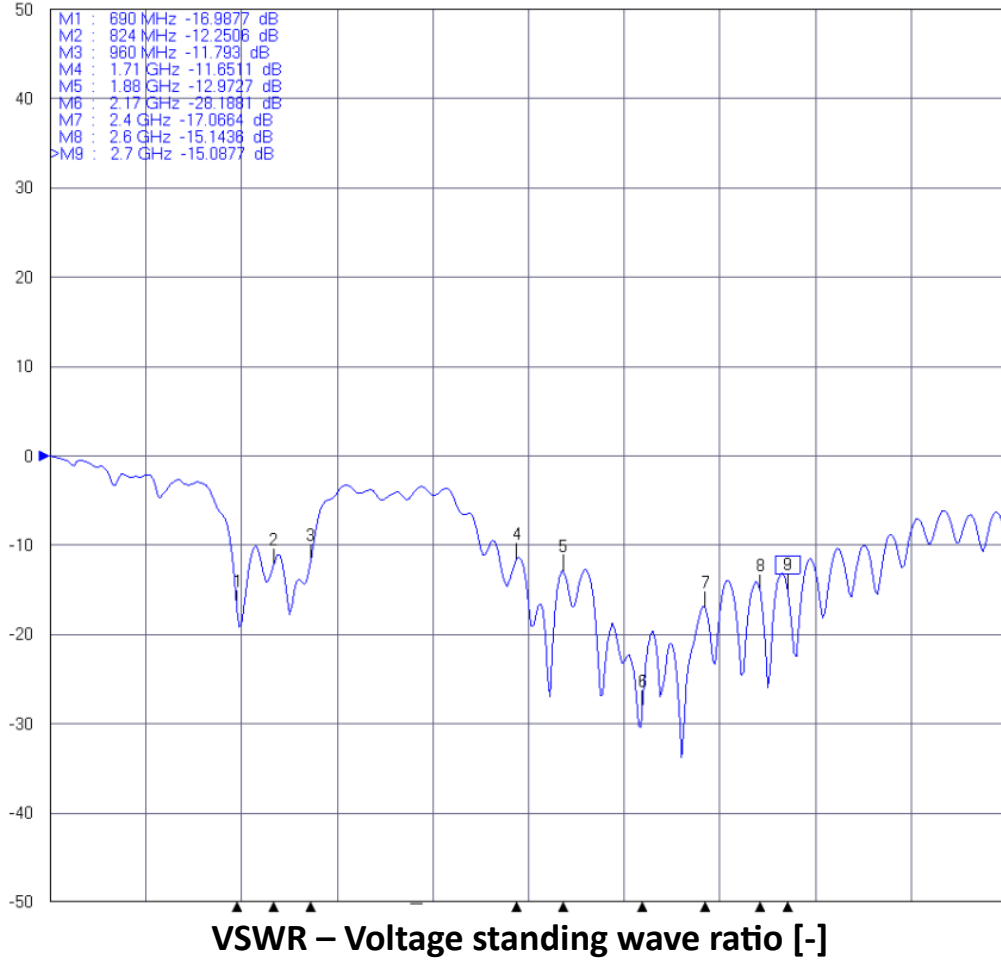
Technology	GSM/UMTS/LTE
Frequency bands	690/824/960/1710/1880/2170/2400/2600/2700 MHz
Bandwidth	-
Gain	5 dBi
VSWR	<1.70:1
Impedance	50 Ohm
Directivity	Omnidirectional
Beam angle	H 360° V 30°
Polarization	Linear
Maximum input power	10 W
Power voltage	-
Dimensions	115 x 55.5 x 9.7 mm
Weight	64.31 g
Operating temperature	-30 to +80 °C
Execution	External
Method of attachment	Adhesive
Cable type	RG58/U
The cable length	1 m
Connector type	SMA(m)
Certification	RoHS

DRAWING

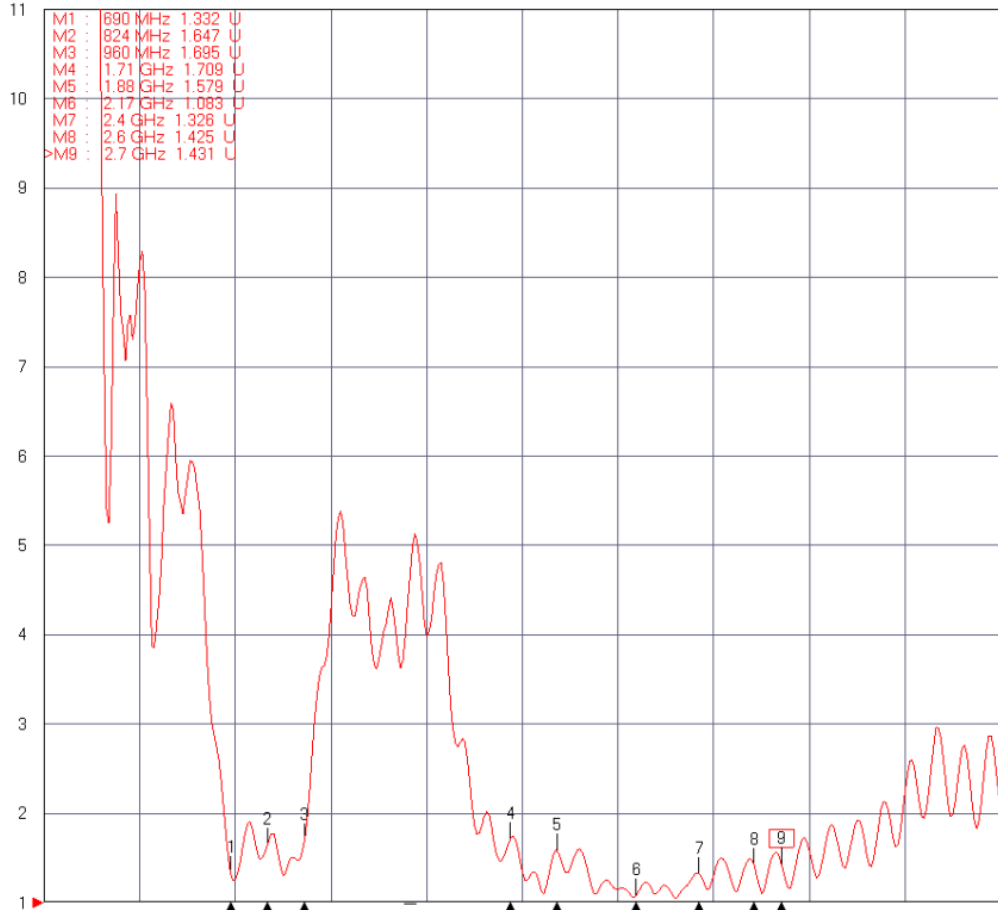


S_{11} - Return Loss [dB]

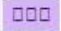
Tr1 S11 Refl LocM RefLvl: 0 dB Res: 10 dB/Div

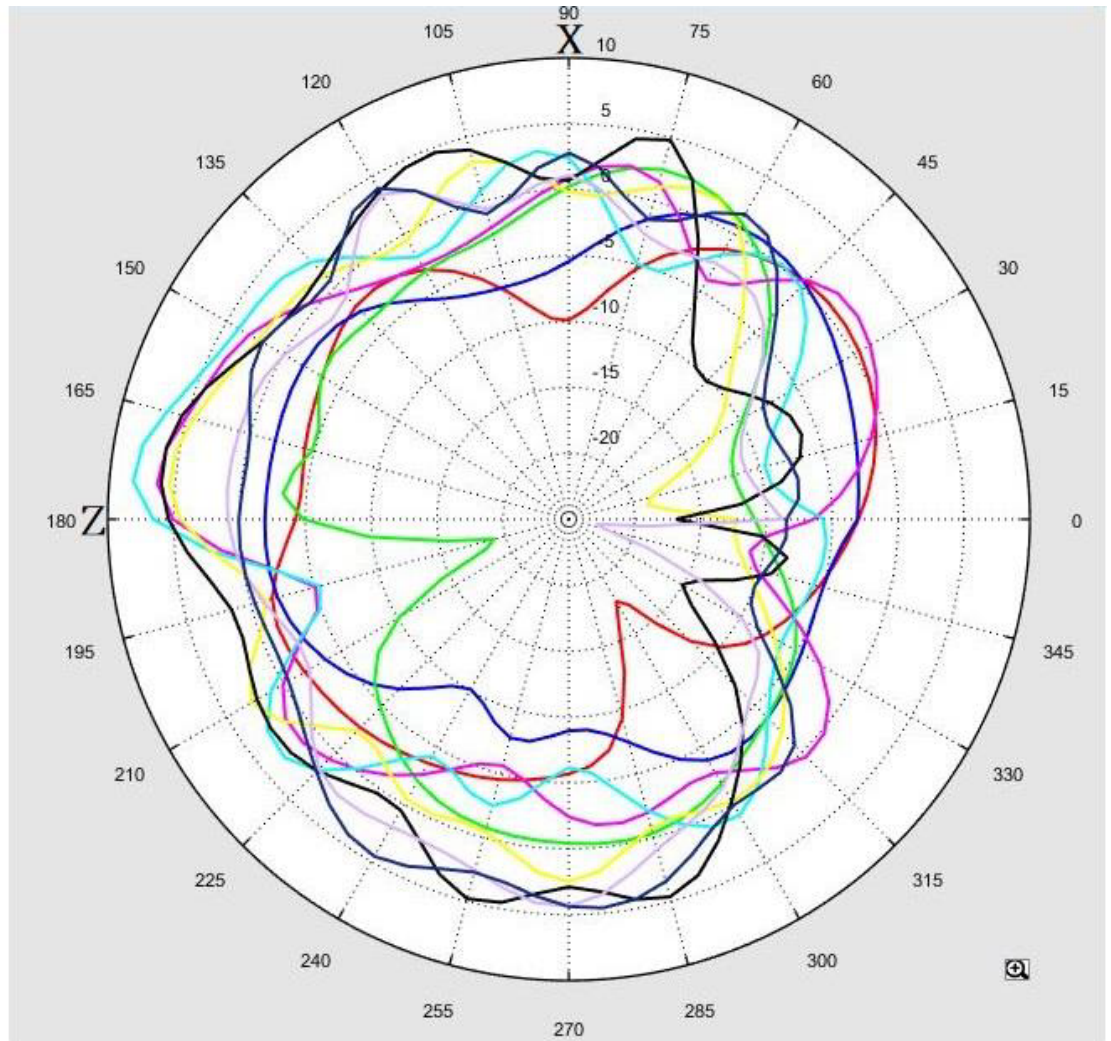


Tr2 S11 Refl SWR RefLvl: 1 U Res: 1 U/Div



2D RADIATION PATTERN

Freq. / Chan.	Color
690MHz	
824MHz	
960MHz	
1.71GHz	
1.88GHz	
2.17GHz	
2.4GHz	
2.6GHz	
2.7GHz	



Frequency [MHz]	S_{11} [dB]	VSWR [-]	Efficiency [%]	Gain [dBi]
690	-16.98	1.33	51.88	0.49
824	-12.25	1.64	53.58	0.7
960	-11.79	1.69	63.68	2.47
1710	-11.65	1.70	67.76	5.05
1880	-12.97	1.57	64.12	6.56
2170	-28.18	1.08	55.98	4.49
2400	-17.06	1.32	75.51	5.39
2600	-15.14	1.42	54.33	4.37
2700	-15.08	1.43	73.62	4.73

Different connector variants or cable lengths are available on request.

SECTRON s.r.o. Josefa Šavla 1271/12
709 00 Ostrava 9, Czech Republic

WWW.SECTRON.CZ
Tel.: +420 556 621 020