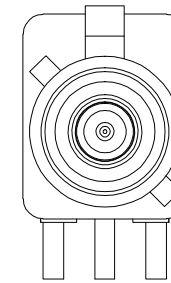
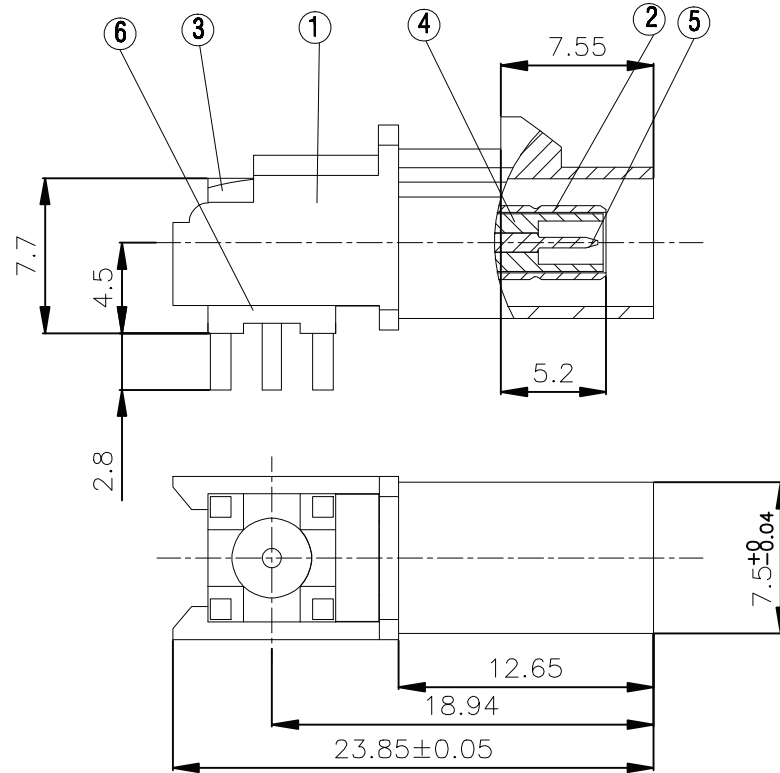
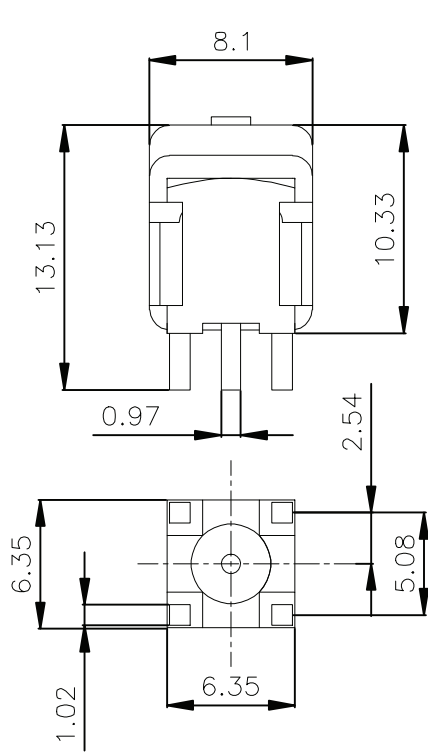
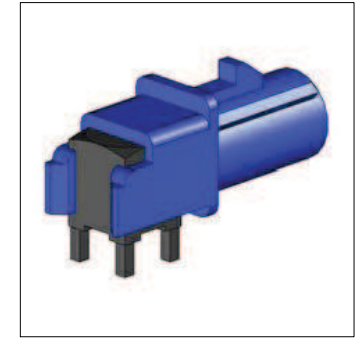
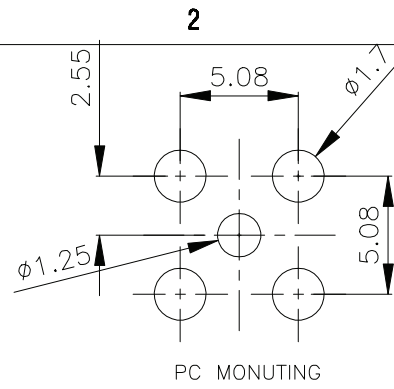


NO	DESCRIPTION	MATERIAL	Q'TY	FINISH	REMARK
1	BODY 1	PBT	1	PBT	B-FKR1530-C55
2	BODY 2	BRASS	1	NICKEL	B-FKR1536-N
3	BODY 3	BRASS	1	NICKEL	B-FKR0457-N
4	INSULATION 1	TEFLON	1	TEFLON	I-0698T
5	PIN	PH.BRONZE	1	GOLD	P-FKR0581-G
6	INSULATION 1	TEFLON	1	TEFLON	I-0563T



A	TITLE FAKRA PLUG PCB MOUNT PART NO. AO-FMTC-01 DRAWING NO. FKR 06V4 TGNPC		DRAWN	DATE	DIMENSIONS ARE IN MILLIMETERS				REVISION	
			CHECKED	DATE					UNLESS OTHERWISE SPECIFIED TOLERANCE 0.5-5=±0.2 120-315=±1 5-30=±0.4 315-1000=±1.6 30-120=±0.6 1000-2000=±2.4	
			Q.A.	DATE	SCALE 4:1	SIZE A				
			APPROVAL	DATE						
			REVISION	DATE						

4

3

2

1