

NOTES: TYPICAL SPECIFICATIONS

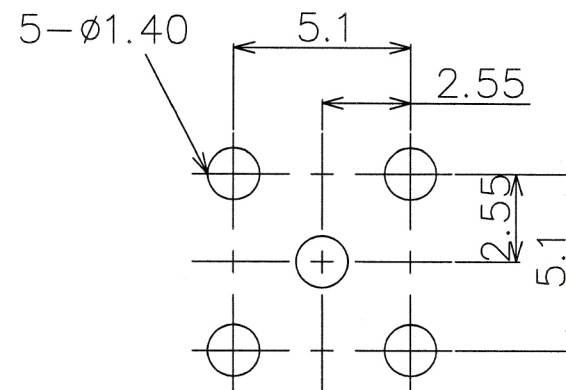
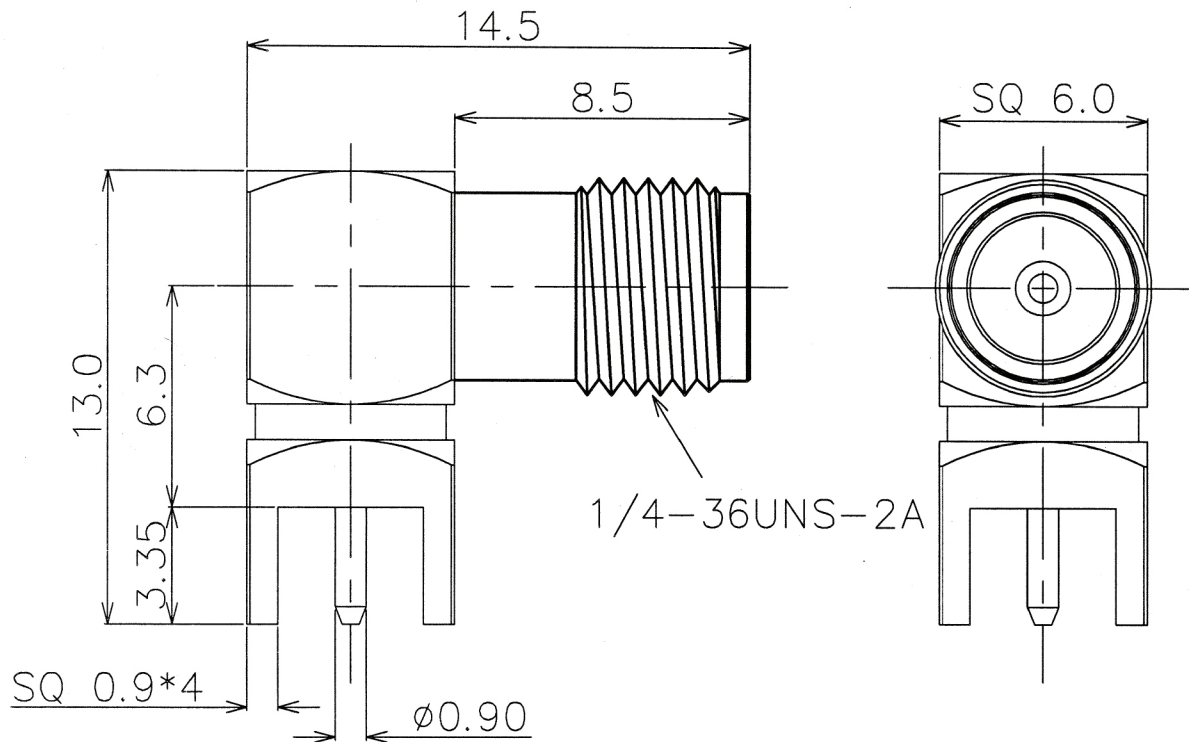
1.0. ELECTRICAL DATA

- 1.1. FREQUENCY RANGE --- DC ... 6 GHz
- 1.2. IMPEDANC --- 50 Ohms
- 1.3. VSWR --- < 1.50
- 1.4. DIELECTRIC WITHSTANDING VOLTAGE --- 500 Vrms
- 1.5. INSULATION RESISTANCE --- 1000 Mega-Ohms
- 1.6. CENTER CONTACT RESISTANCE --- 4.0 mini-Ohms
- 1.7. OUTER CONTACT RESISTANCE --- 2.5 mini-Ohms

2.0. MECHANICAL DATA

- 2.1. COUPLING METHOD --- THREADED
- 2.2. DURABILITY (MATING/UNMATING) --- 500 Cycles

REV.	DESCRIPTION	DRAWN/DATE	CHECK/DATE	APPROVED/DATE



RECOMMEND PCB MOUNT LAYOUT

THIS DRAWING IS A CONTROLLED DOCUMENT

GENERAL TOLERANCE	ANGLE TOLERANCE
X. ±0.38	X° ±3.0'
.X ±0.25	.X° ±2.0'
.XX ±0.15	.XX° ±1.0'
XXX ±0.05	

UNLESS OTHERWISE SPECIFIED
 1. REMOVE ALL BURRS
 2. BREAK ALL SHARP EDGES 0.2 MAX.
 3. CHAMFER 1ST-LAST THREADS 45°
 4. MACHINE SURFACE ROUGHNESS
 5. DIAMETERS ON CONE/CENTERS TO BE CONCENTRIC WITHIN 0.2 T.T.R.
 6. ALL DIMENSIONS ARE AFTER PLATING

MATERIAL: SEE BOM
 FINISH: SEE BOM

DRAWN	DATE
tony	08/15/2013
CHECKED	DATE
APPROVED	DATE
<i>[Signature]</i>	
UNIT	mm [INCHES]

TITLE	SIZE	PART NO.	REV.
SMA Jack R/A For PCB L=14.5mm	A3		A

BOM

ITEM	ITEM NAME	MATERIAL	FINISH	Q'TY/EA	REMARK
3	FEMALE INSULATOR	TEFLON		2	
2	FEMALE CONDUCTOR	PHOSPHOR BRONZE	GOLD	1	
1	JACK BODY	BRASS	GOLD	2	