



GNSS ANTENNA

Antenna GPS/GLONASS Adhesive R40,

AP-AGNSS-40S

SECTRON company offers a wide portfolio of GPS/GLONASS antennas with various versions differing in shape, level of gain and manner of attachment. SECTRON guarantees a compatible connection between an antenna and all antenna adaptors produced by SECTRON.



BENEFITS

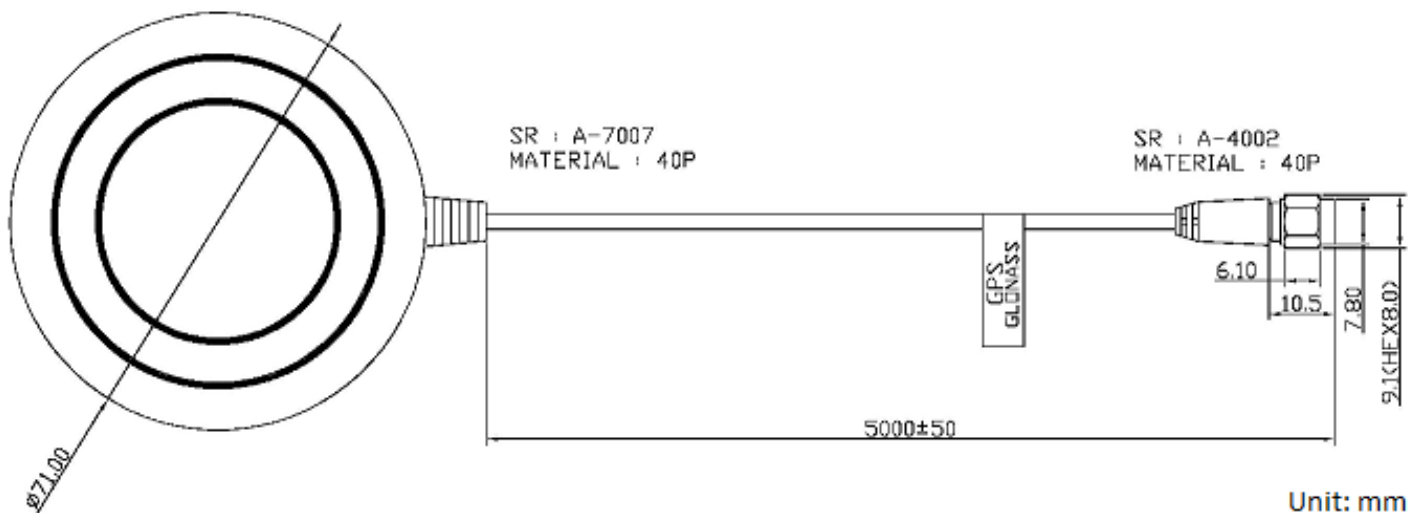
- High gain
- Anti-vandal design
- Easy installation

FEATURES

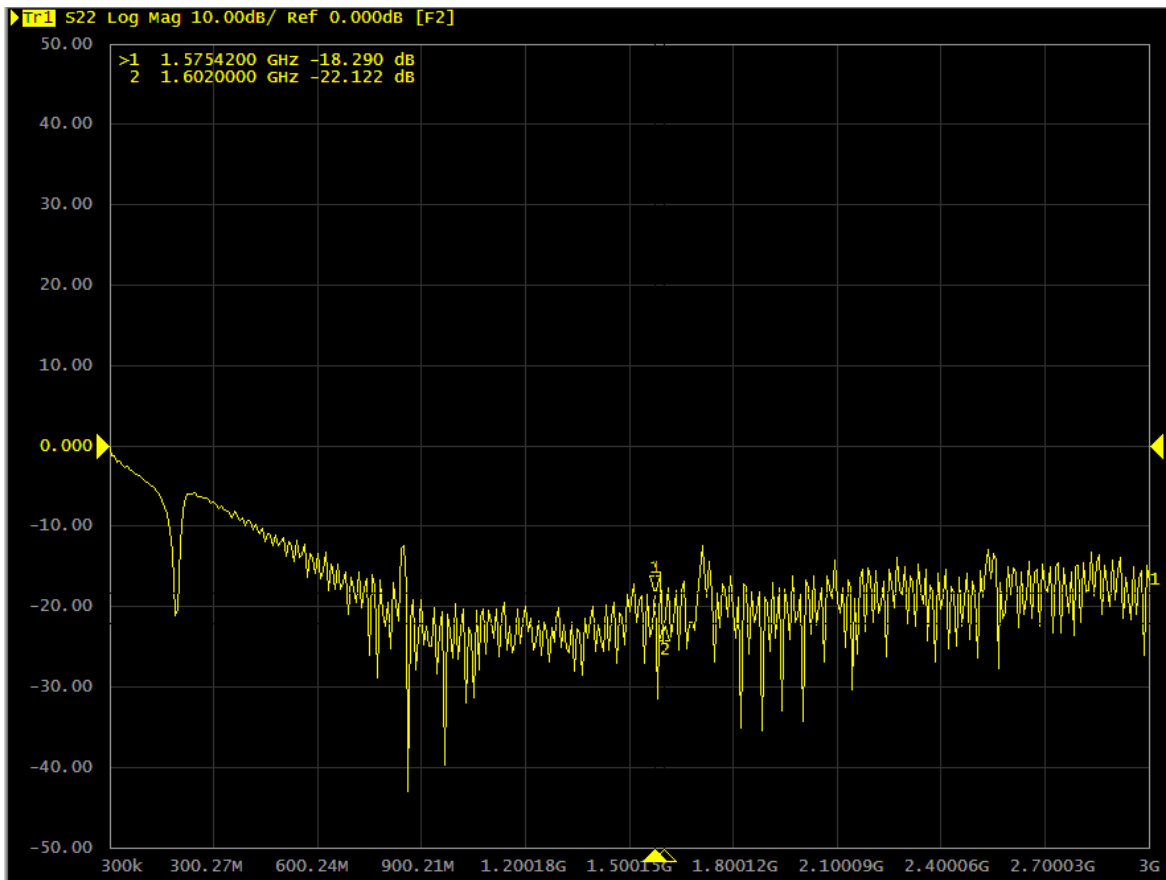
AP-AGNSS-40S

Technology	GPS/GLONASS
Frequency bands	1575.42/1602 MHz
Bandwidth	10 MHz
Gain	3 dBi
LNA Gain	30 dBi
VSWR	<2.0:1
Impedance	50 Ohm
Directivity	Omnidirectional
Beam angle	H 360° V 30°
Polarization	R.H.C.P.
Maximum input power	10 W
Power voltage	2.5 - 5.5
Dimensions	Ø 71 x 12 mm
Weight	91.47 g
Operating temperature	-30 to +80 °C
Execution	External
Method of attachment	Adhesive
Cable type	RG174/U
The cable length	5 m
Connector type	SMA(m)
Certification	RoHS

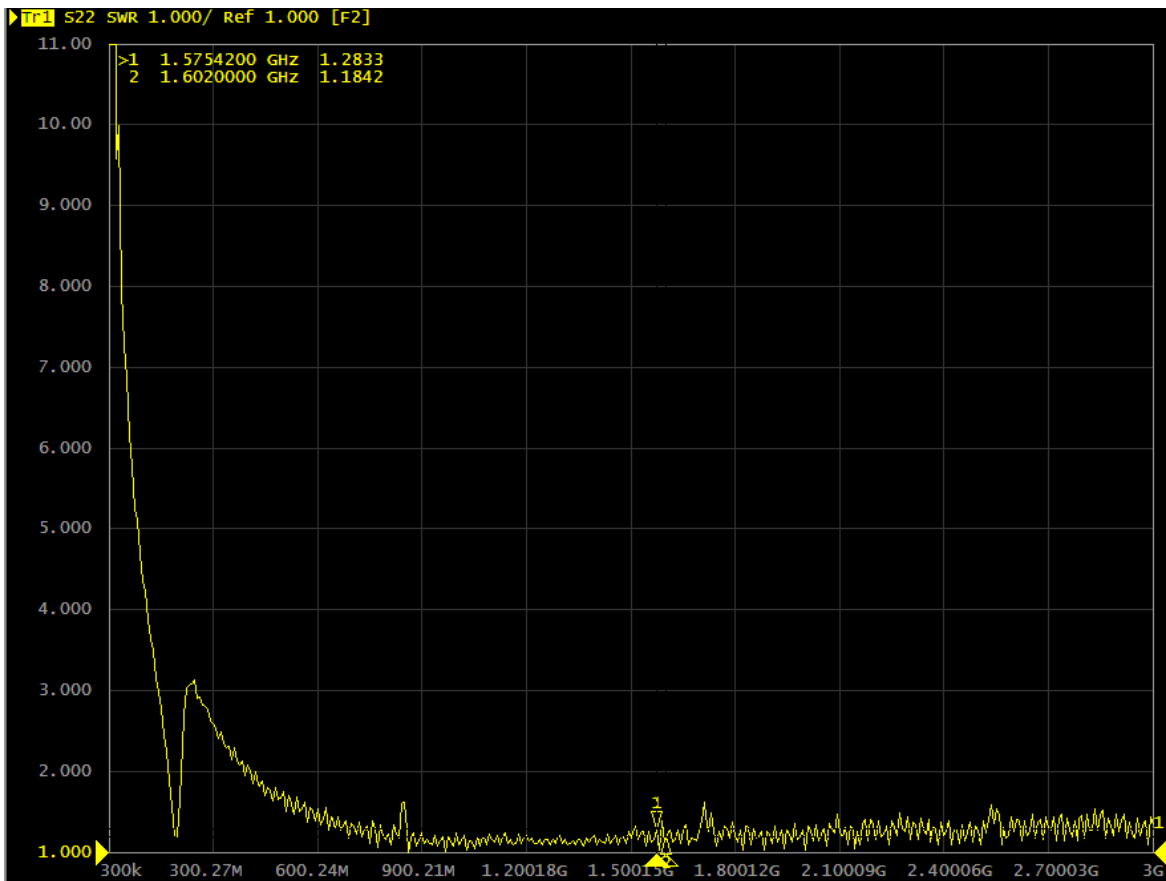
DRAWING



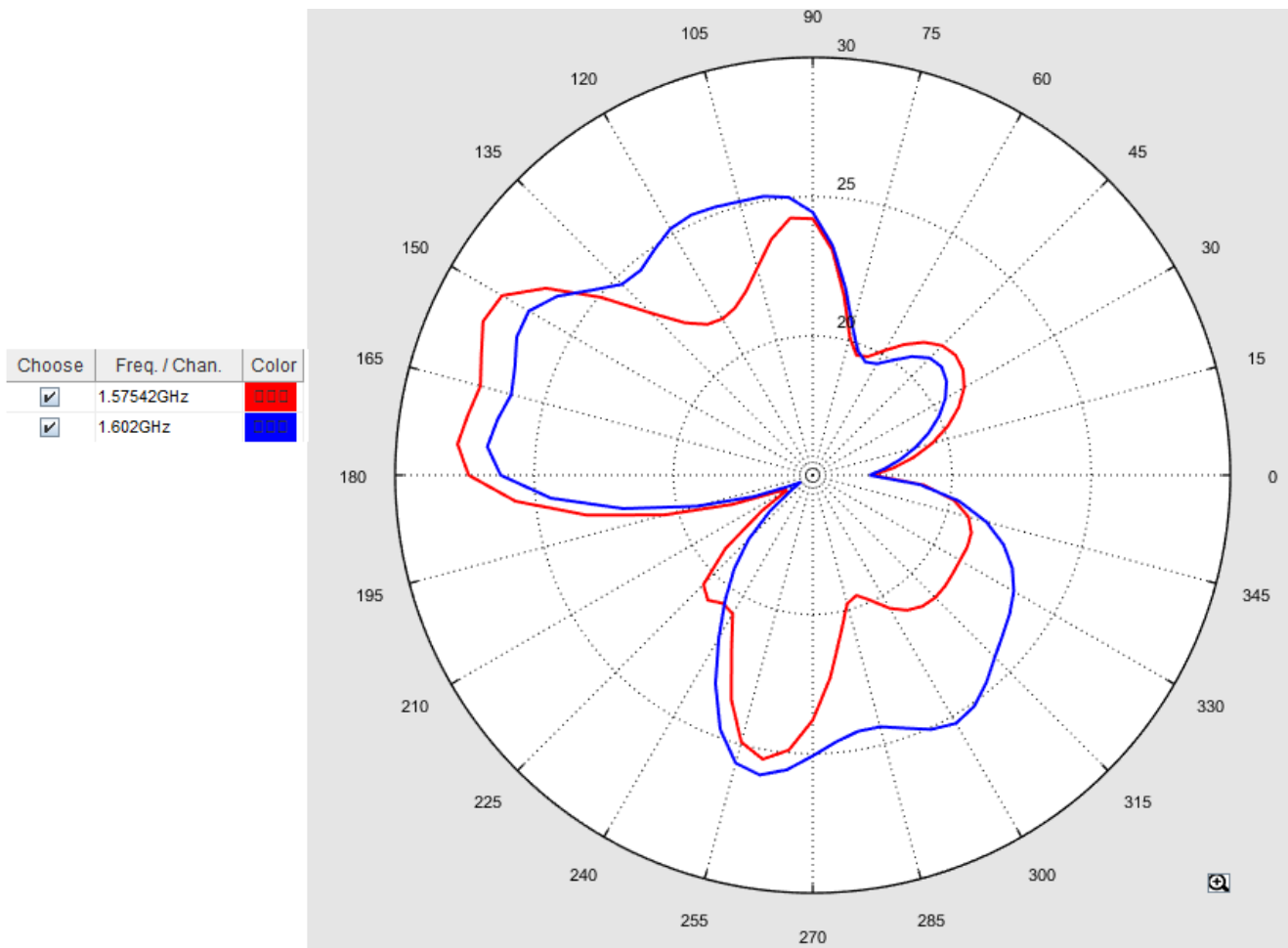
S_{11} - Return Loss [dB]



VSWR – Voltage standing wave ratio [-]



2D RADIATION PATTERN



SUMMARY

AP-AGNSS-40S

Frequency [MHz]	S_{11} [dB]	VSWR [-]	Gain [dBi]
1575.42	-18.29	1.28	28.09
1602	-22.12	1.18	27.19

VARIANTS

AP-AGNSS-40S

Different connector variants or cable lengths are available on request.

CONTACTS

SECTRON s.r.o. Josefa Šavla 1271/12
709 00 Ostrava 9, Czech Republic

WWW.SECTRON.CZ
Tel.: +420 556 621 020