



GPS/GLONASS ANTENNA

Antenna GPS/GLONASS Adhesive
057, SMA(m), RG174/3m

AP-AGNSS-A057S

SECTRON company offers a wide portfolio of GPS/GLONASS antennas with various versions differing in shape, level of gain and manner of attachment. SECTRON guarantees a compatible connection between an antenna and all antenna adaptors produced by SECTRON.



BENEFITS

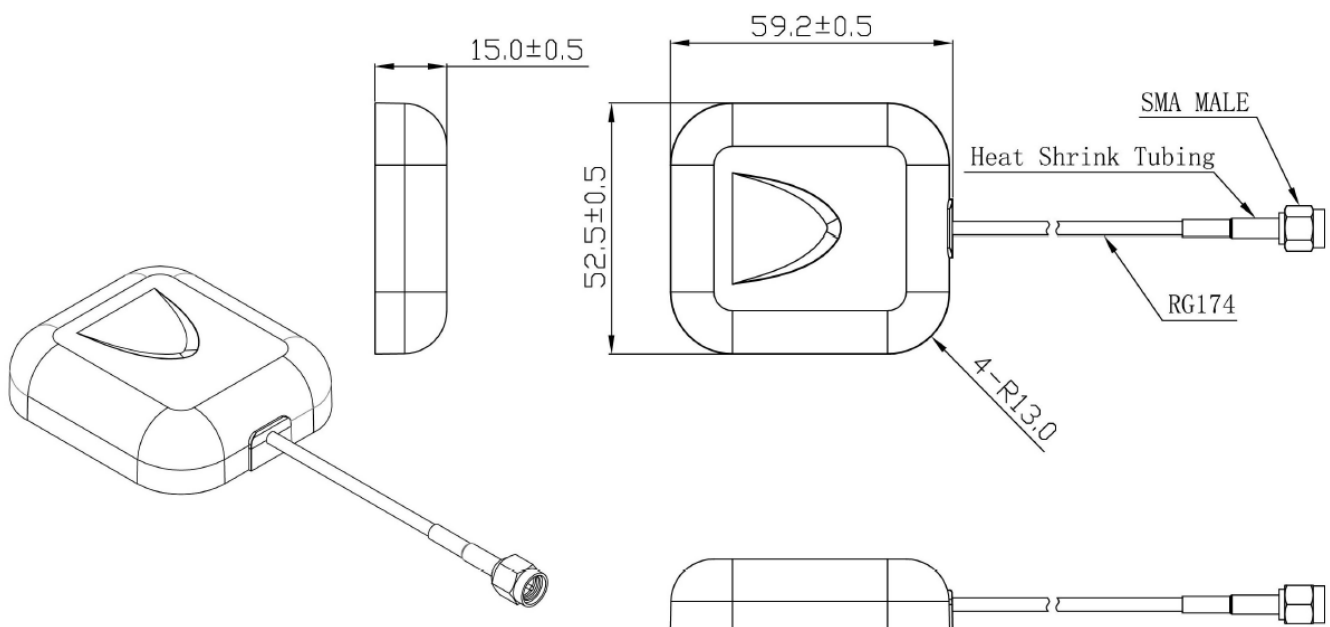
- Low VSWR
- Omnidirectional - suitable for moving devices
- Easy installation

FEATURES

AP-AGNSS-A057S

Technology	GPS/GLONASS
Frequency bands	1575.42/1602 MHz
Bandwidth	5 MHz
Gain	26-48 dBi
VSWR	<1.4:1
Impedance	50 Ohm
Directivity	Omnidirectional
Beam angle	H 360° V 30°
Polarization	R.H.C.P.
Maximum input power	10 W
Power voltage	2.2-5 V DC
Dimensions	52.5 x 59.2 x 15 mm
Weight	76.51 g
Operating temperature	-40 to +85 °C
Execution	External
Method of attachment	Adhesive
Cable type	RG174/U
The cable length	3m
Connector type	SMA(m)

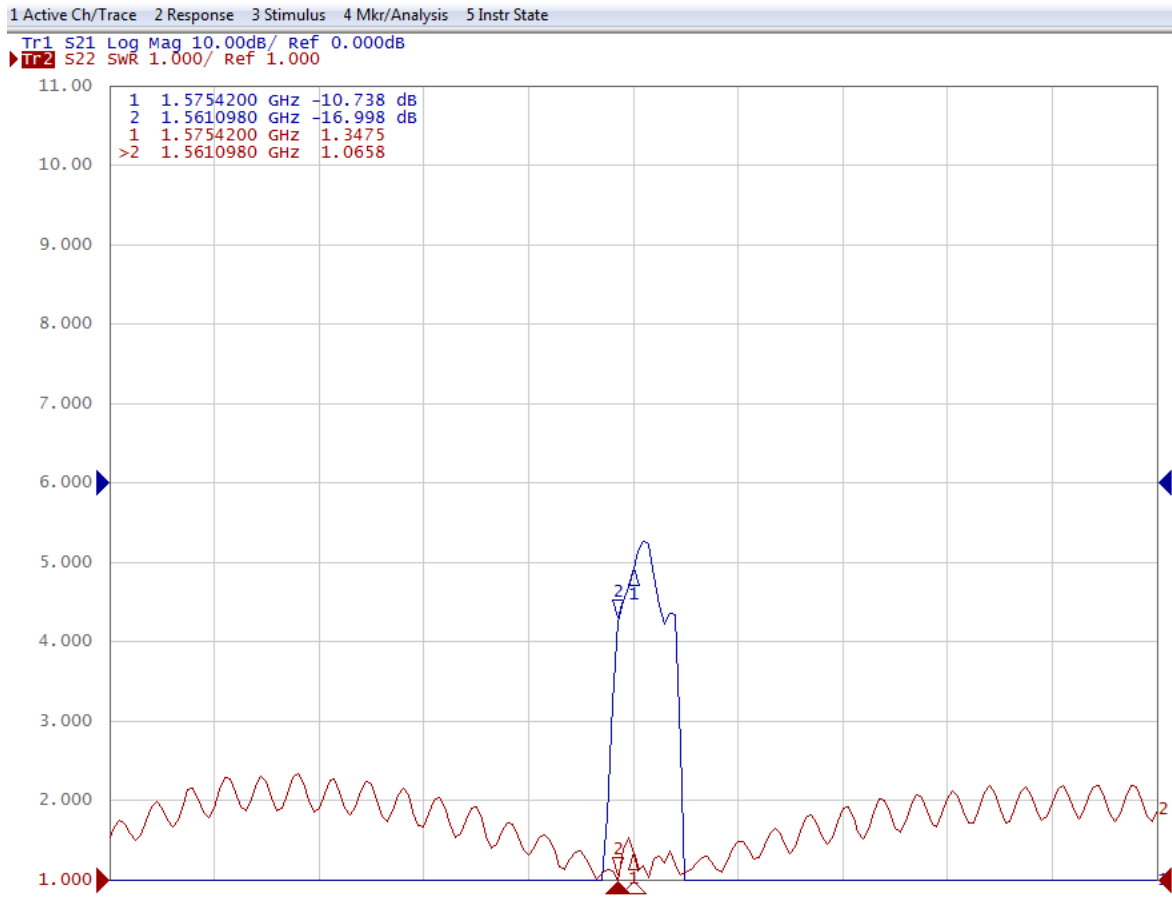
DRAWING

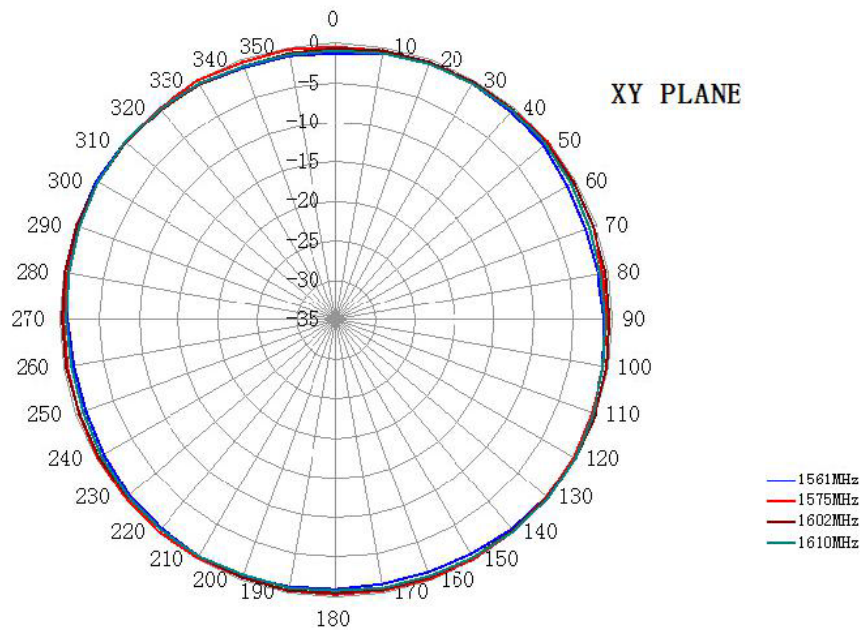
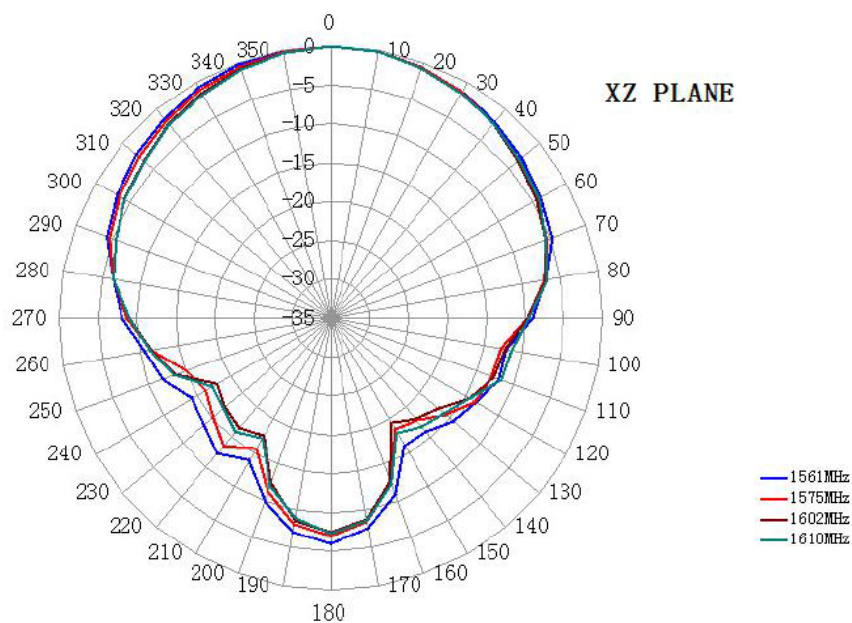


Unit: mm

S_{11} - Return Loss [dB]

VSWR – Voltage standing wave ratio [-]



RADIATION PATTERN - XY plane**RADIATION PATTERN - XZ plane****VARIANTS**

AP-AGNSS-A057S

Different connector variants or cable lengths are available on request.

CONTACTS

SECTRON s.r.o. Josefa Šavla 1271/12
709 00 Ostrava 9, Czech Republic

WWW.SECTRON.CZ
Tel.: +420 556 621 020