



WiFi ANTENNA

Antenna WiFi Magnet Mount
016W, 2 dBi, SMA-RP (f pin),
RG174/1.5m, Whip/83mm

AW-A24G-G016WSRP150-B

SECTRON company offers a wide portfolio of WiFi antennas with various versions differing in shape, level of gain and manner of attachment. SECTRON guarantees a compatible connection between an antenna and all antenna adaptors produced by SECTRON.



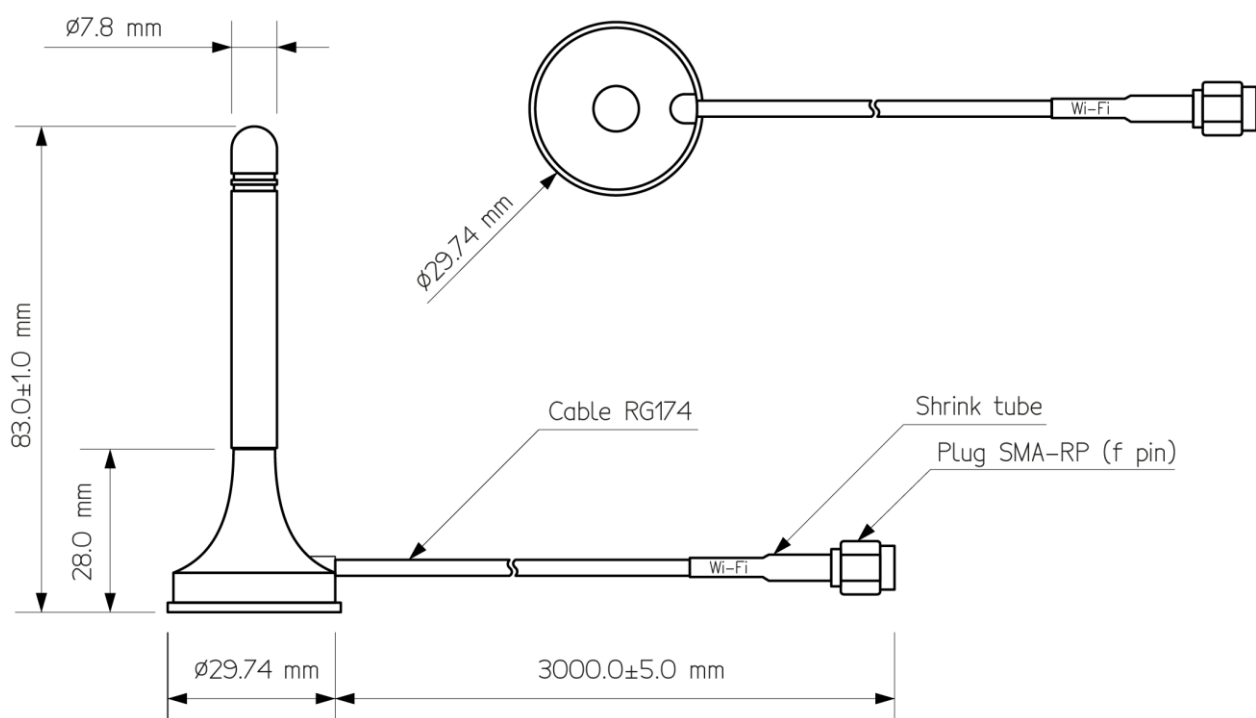
BENEFITS

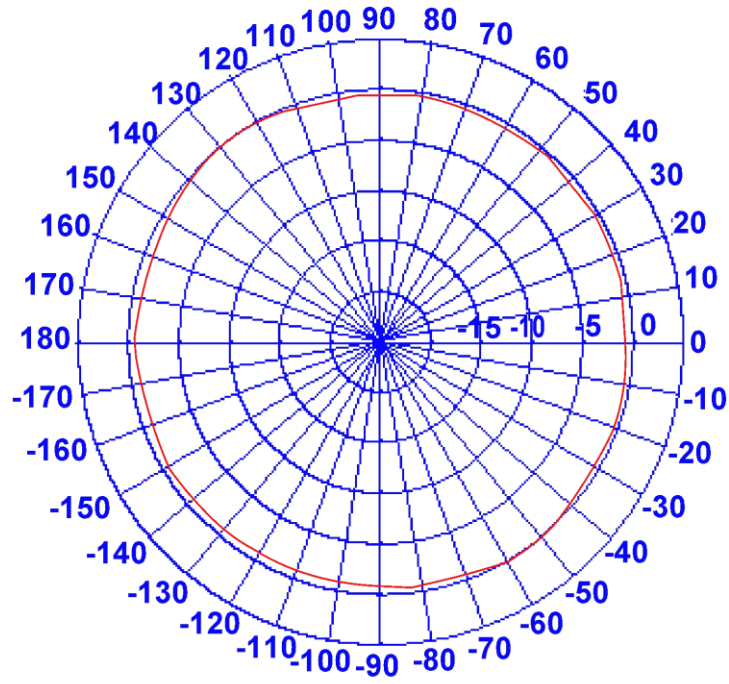
- Low VSWR
- Easy installation
- Certificate IP62



Technology	WiFi
Frequency bands	2400 MHz
Bandwidth	-
Gain	2 dBi
VSWR	<2.0:1
Impedance	50 Ohm
Directivity	Omnidirectional
Beam angle	H 360° V 30°
Polarization	Linear
Maximum input power	5 W
Power voltage	-
Dimensions	∅ 29.7 × 83.0 mm
Weight	29.94 g
Operating temperature	-40 to +85 °C
Execution	External
Method of attachment	Magnet Mount
Cable type	RG174 / U
The cable length	1.5 m
Connector type	SMA-RP (f pin)

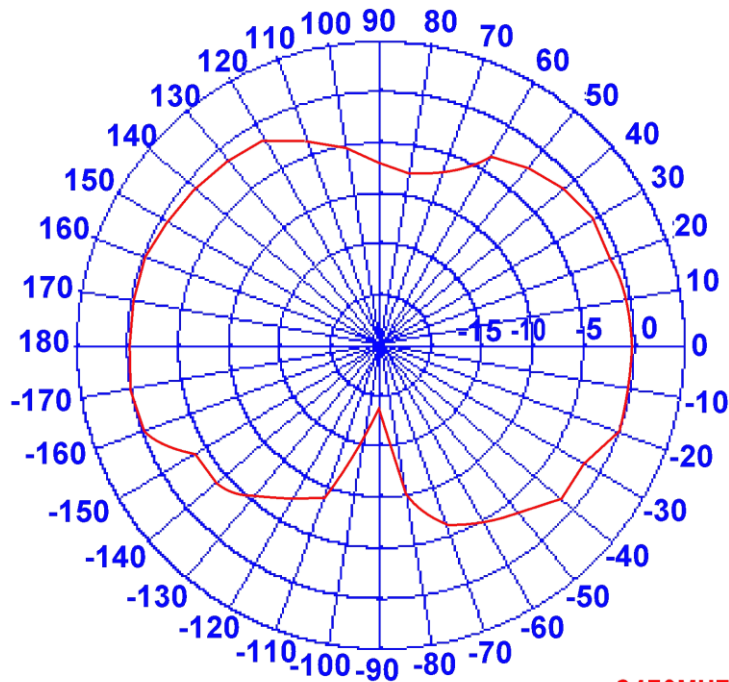
DRAWING





H-PLANE

2450MHZ



E-PLANE

2450MHZ