



WiFi ANTENNA

Antenna WiFi Adhesive 107, 2 dBi,
SMA-RP(f), RG174/3m

AW-A24G-W107SRP

SECTRON company offers a wide portfolio of WiFi antennas with various versions differing in shape, level of gain and manner of attachment. SECTRON guarantees a compatible connection between an antenna and all antenna adaptors produced by SECTRON.

BENEFITS

- Low VSWR
- Easy installation
- Omnidirectional radiation pattern

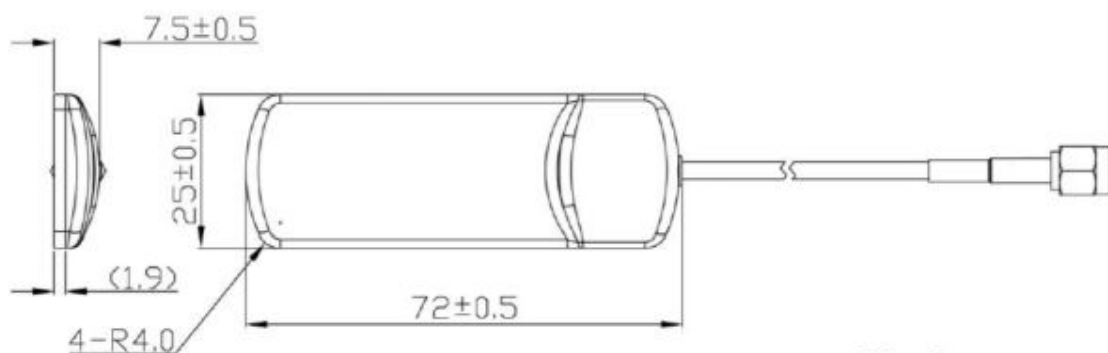


FEATURES

AW-A24G-W107SRP

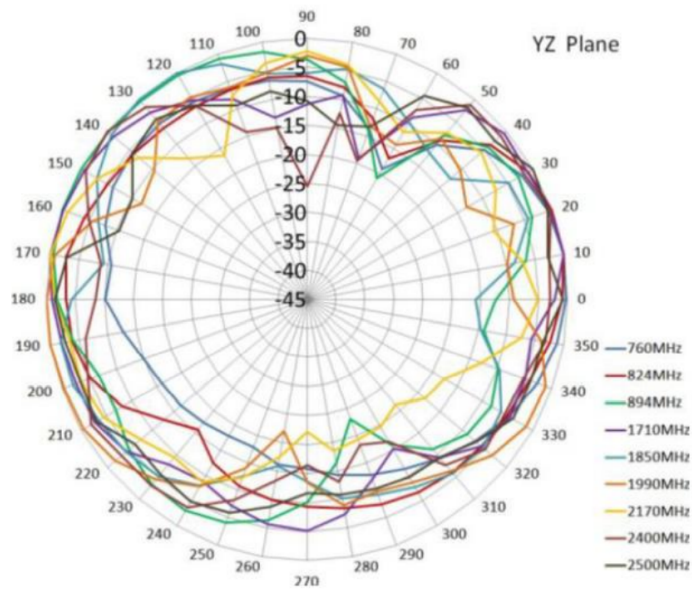
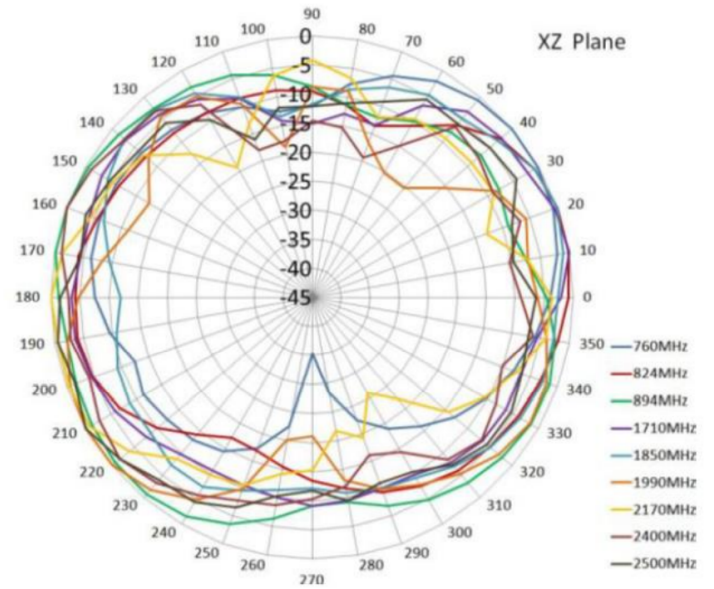
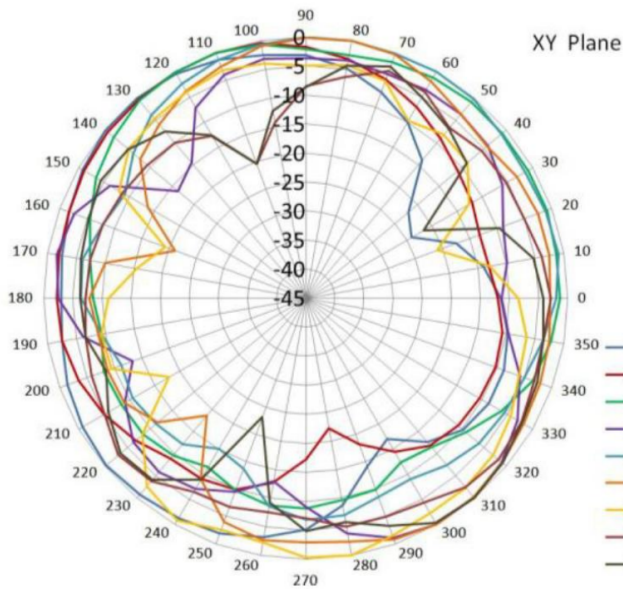
Technology	WiFi
Frequency bands	2400/5000 MHz
Bandwidth	-
Gain	2 dBi
VSWR	<1.31:1/<1.62:1
Impedance	50 Ohm
Directivity	Omnidirectional
Beam angle	Attached graphs bellow
Polarization	Linear
Maximum input power	10 W
Power voltage	-
Dimensions	72 x 25 x 7 mm
Weight	48.69 g
Operating temperature	-40 to +85 °C
Execution	External
Method of attachment	Adhesive Mount
Cable type	RG174/U
The cable length	3 m
Connector type	SMA-RP (f pin)
Certification	RoHS, ISO9001, ISO14001

DRAWING



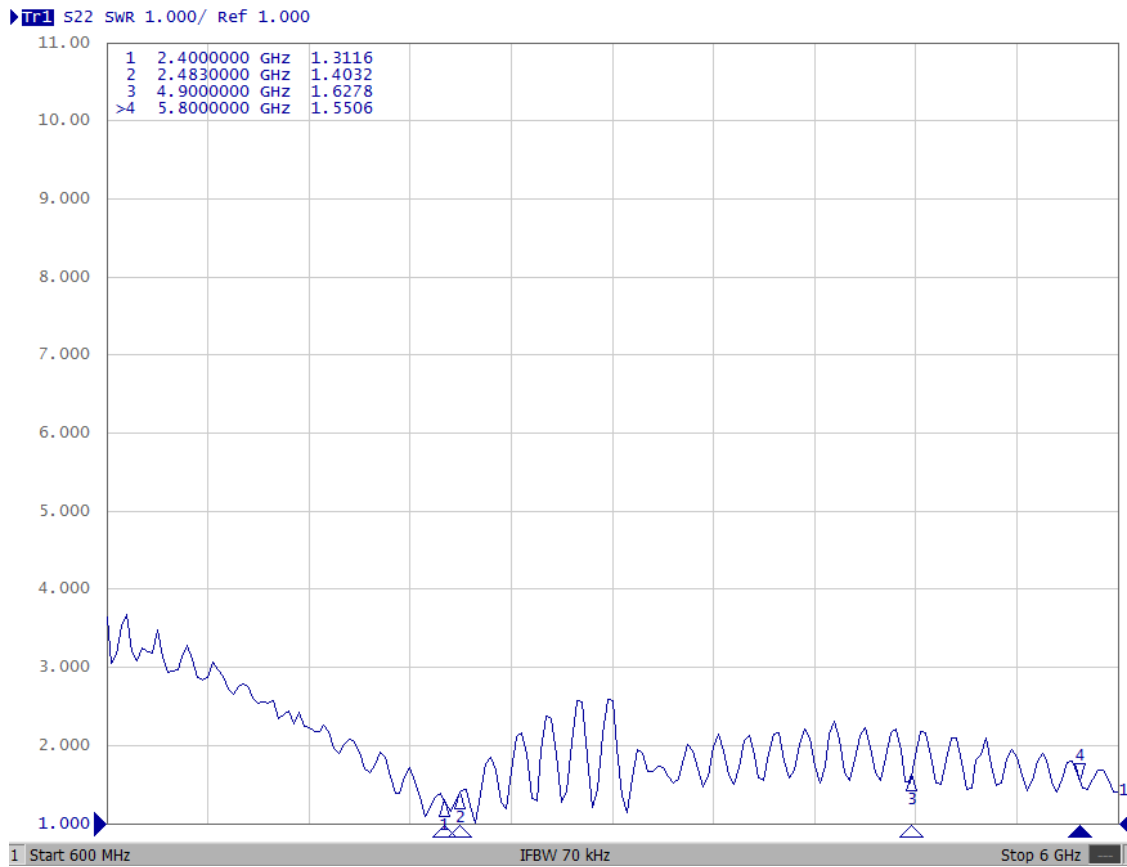
Unit: mm

RADIATION PATTERN



MEASURED GRAPHS

VSWR - Voltage standing wave ratio [-]



SUMMARY

AW-A24G-W107SRP

Frequency [MHz]	S_{11} [dB]	VSWR [-]
2400	-17.45	1.31
2483	-15.56	1.40
4900	-12.52	1.62
5800	-13.32	1.55

VARIANTS

Different connector variants or cable lengths are available on request.

CONTACTS

SECTRON s.r.o. Josefa Šavla 1271/12
709 00 Ostrava 9, Czech Republic

WWW.SECTRON.CZ
Tel.: +420 556 621 020