



OlifeEnergy WallBox is an all-metal heavy-duty charging station for charging of all electrical vehicles with AC and with a total output of up to 22 kW. It is intended for indoor and outdoor use, with an option of being installed on the wall or a profile anchored in the ground (column). Upon customer's wish, WallBox can be equipped with a socket or a cable (Type 2 as well as Type 1), or with a special coiled cable.

Even in its basic version, OlifeEnergy Wallbox is equipped with a wide spectrum of functionalities. The charging session can be started automatically, immediately after the vehicle is connected, or based on authorization with an RFID card or a mobile phone. Complete configuration is also done through a Smartphone app. The charger output can be set up within the range from 0 to 22 kW. The charging station can be connected to HDO, integrated into smart household, interconnected with battery storage, and integrated with other control systems. Through the external OlifeEnergy SmartMeter unit it is possible to dynamically control the charging station output to avoid circuit breaker release with high consumption, and charge from excesses of solar power or low tariff.

The WallBox CLOUD extended version can communicate with a remote server (OlifeEnergy Cloud, OCPP) that provides input power control for several OlifeEnergy stations, remote diagnostics, authorization, and user management. Each WallBox CLOUD can be included in OlifeEnergy Net, a network of charging stations, and bring its owner an extra income for public EV charging.

Specification

Output	2x Type 2		
Type of connection	Type B (according to EN 61851)	Type C (according to EN 61851)	
Type of output	socket	cable	coiled cable
Output power *	0-22 kW		
Type of AC supply	AC 3 + N + PE 400V 50 Hz, TN-S		
Maximum supply cable cross section	10 mm ²		
Control	Local – automatic, RfID, smartphone app (Bluetooth) / remote – OlifeEnergy Cloud**, OCPP**		
Residual protection	residual DC current detection pursuant to IEC 62955		
Input current*	0-32 A		
Communication	Bluetooth, Modbus RTU (via RS-485), ADC 0–10 V, OlifeEnergy Cloud**, OCPP 1.6/2.0**		
Data connection **	Ethernet**, USB (GSM, Wi-Fi)**, RS-485		
Input voltage	3x 400 V (1x 230 V possible)		
IP Class	IP54		
Operating temperature & humidity	from -25 °C to +40 °C / from 5 % to 95 %		
Dimensions ***	194 × 320 × 120 mm	266 × 320 × 120 mm	
Netto weight (packaging +2 kg)	6,5 kg	9,5 kg	10,0 kg

* maximum adjustable output is limited by upstream circuit breaker, ** only for CLOUD version *** excl. cables, incl. socket cover and cable holder

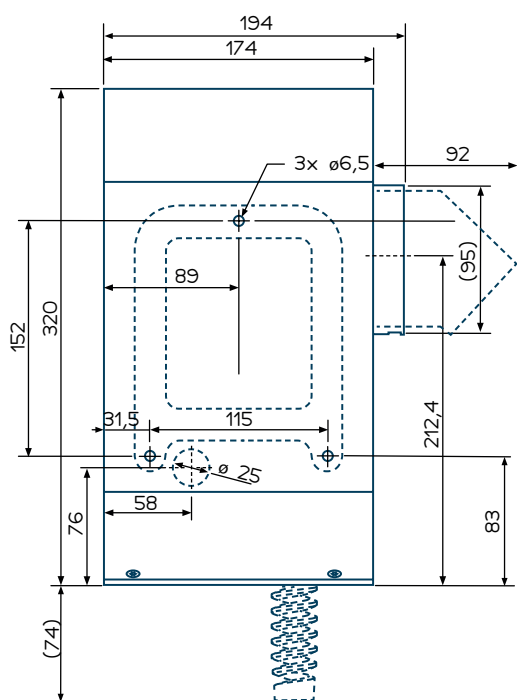
OlifeEnergy Cloud Services

A charging station with a functionality extended by an option to be connected to the OlifeEnergy Cloud service and OCPP server. The OlifeEnergy Cloud service provides remote diagnostics, access management, and registration of charging. It also makes it possible to operate a public charging station. Through OlifeEnergy Cloud, it is possible to dynamically control the output of several stations and to communicate with existing MaR systems.

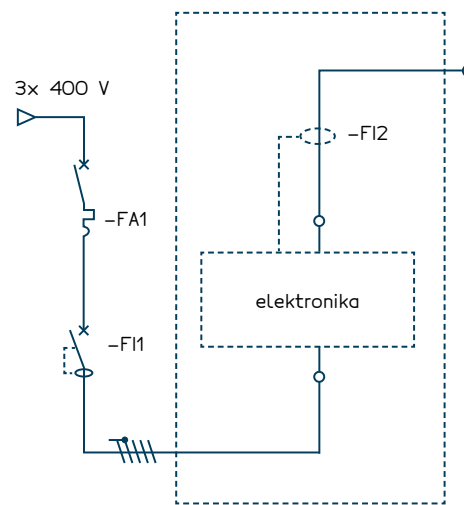
Comparison of versions	WALLBOX	WALLBOX CLOUD
Protection against circuit breaker release	•	•
Integration with Smart household	•	•
Charging at low tariff, from solar power excesses*	•	•
RFID authorization	•	•
Control and configuration through ModBus RTU (via RS 485)	•	•
Configuration through mobile phone (locally Bluetooth)	•	•
Static setup of output current (according to upstream circuit breaker)	•	•
External current control (ModBus RTU / ADC 0-10 V)	•	•
List of charging, remote access control, commercial charging		•
Remote and mass configuration via web		•
OlifeEnergy Cloud, OCPP		•
Dynamical control of output according to other consumption*	1 station	unlimited stations

* The output is controlled by an OlifeEnergy SmartMeter external module. We recommend to install 1x SmartMeter at one main circuit breaker.

Dimensions and schema



(dimensions in mm)



in the switchboard
 -FA1 3P char. B
 -FI 4P type A, 30 mA

inside the charger
 -FI2 DC 6 mA