

FAKRA(m) D / open-end, 1.37 mm cable, 95 mm AM-88-OAPD12



SECTRON company offers a wide portfolio of high-quality handmade cable adaptors in various versions for M2M applications.

SECTRON product portfolio includes brand connectors and coaxial cables in diameters from 0.8 mm to 10 mm suitable for frequencies up to 6 GHz. Using the latest technologies and our experience in the field, we will manufacture and test each RF cable adaptor exactly for your device.

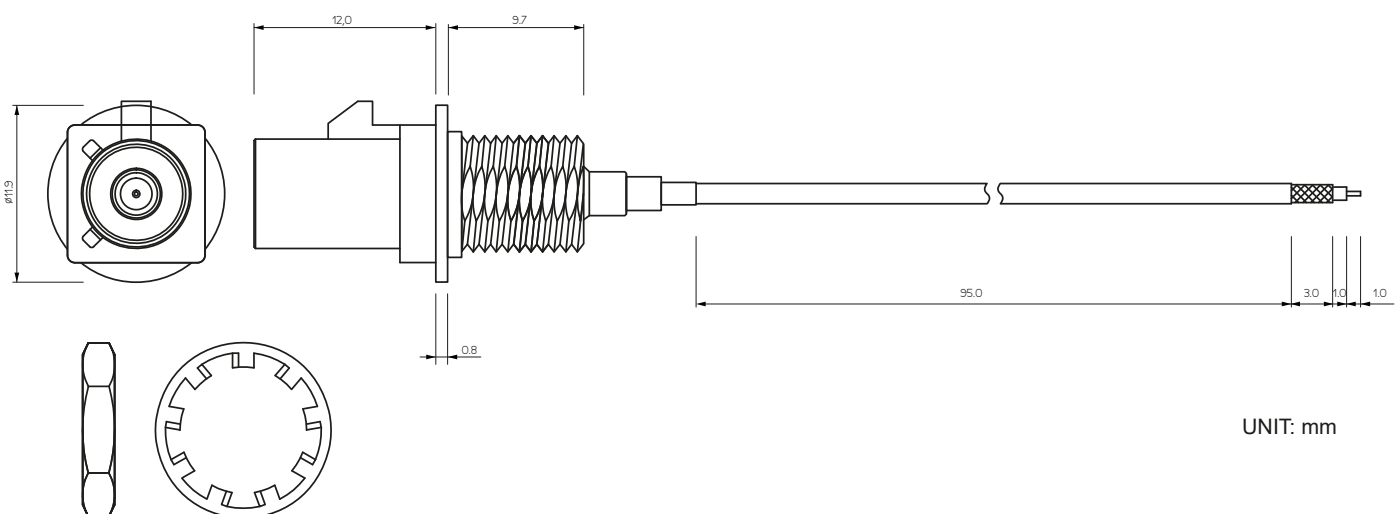
BENEFITS

- Continuous Production Quality Management Process
- High Quality of Soldered Joint
- Low Insertion loss
- Reliable Mechanical Connection
- Built of Order Production of RF Cable Assemblies

FEATURES

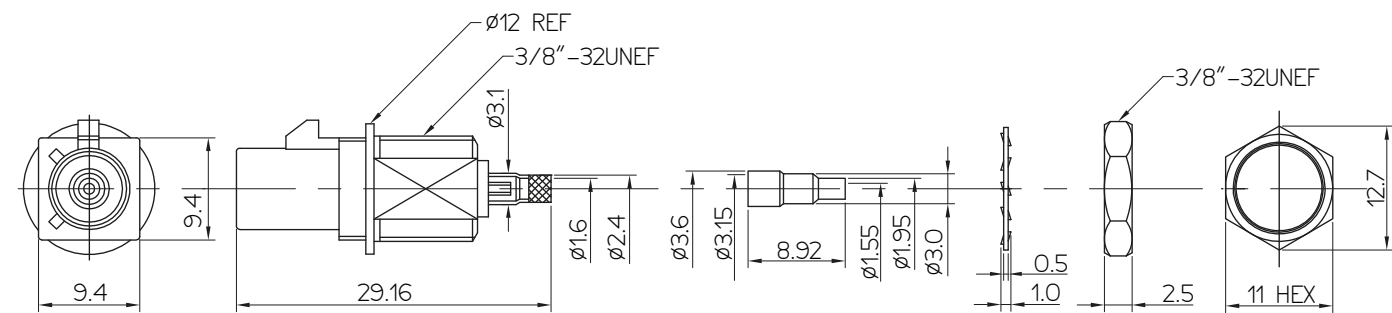
Frequency range	Up to 6 GHz
Impedance	50 Ohm
VSWR	1.2:1
Voltage Power	335 V AC (rms)
Insulation resistance	5000 MΩ min.
Cable loss	0.15 dB max. at 200 MHz / 0.45 dB max. at 3-6 GHz
Cable type	Cable 088 series, Diameter 1.37 mm micro coax
Cable length	0.095 m
Connector type A	FAKRA(m) D
Connector type B	open-end
Operating temperature	-40 °C to +105 °C
Weight	8.28 g
Certification	RoHS

DRAWING

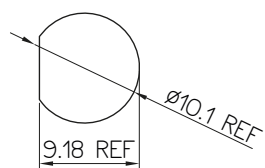


CONNECTORS PARAMETERS

Connector FAKRA(m) C

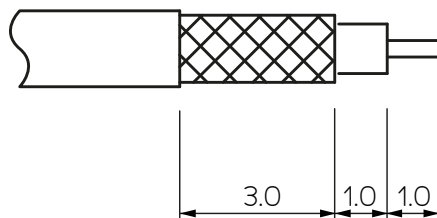


UNIT: mm



RECOMMENDED
MOUNTING HOLE

Open-end



UNIT: mm

FAKRA connector material

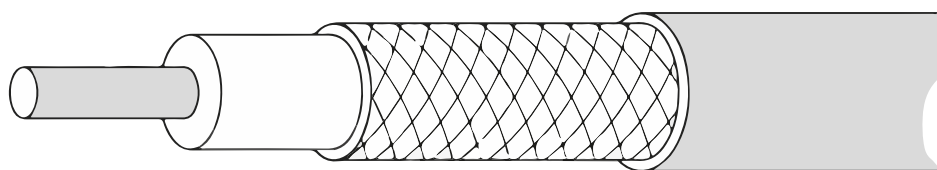
FAKRA connector material	
Insultaor	Teflon
Body	Brass, Nickel plated
Pin	Brass, Gold plated
Shell	PA66 purple
Ferrule	Brass, Nickel plated
Washer	Brass, Nickel plated
Nut	Brass, Nickel plated
Mating cycles	>25 cycles

CZ: +420 556 621 030
INT: +420 556 621 020

CZ: obchod@sectron.cz
INT: sales@sectron.cz

SECTRON s.r.o.
Josefa Šavla 12, 709 00 Ostrava, Czech Republic

CABLE PARAMETERS



Inner Conductor	Insulation	Braid shield	Jacket
Material: Silver-plated Cu wire	Material: FEP	Material: Tinned Cu wire	Material: FEP
Stranding: 7×0.102 mm		Type braid: 16×6×∅0.05 mm	
Outer diameter: 0.31 mm	Outer diameter: 0.9±0.03 mm	Outer diameter: 1.13±0.05 mm	Outer diameter: 1.37±0.1 mm