

## FEATURES AND SPECIFICATIONS

### Features and Benefits

- Stacking height: 4.0mm
- Sizes 20 to 60 circuits
- Locking feature provides secure mating
- High temperature housing
- Durable blade on beam contact interface
- Anti-flux design

### Reference Information

Packaging: Embossed tape  
 Mates With: [52991](#), [54167](#)  
 Designed In: Millimeters

### Electrical

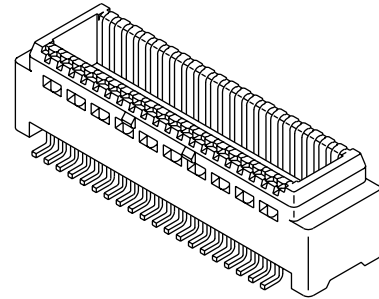
Voltage: 50V  
 Current: 0.5A  
 Contact Resistance: 60mΩ max.  
 Dielectric Withstanding Voltage: 500V AC  
 Insulation Resistance: 100 MΩ min.

### Physical

Housing: Black glass-filled LCP, UL 94V-0  
 Contact: Brass  
 Plating: Gold over Nickel  
 Operating Temperature: -40 to +105°C

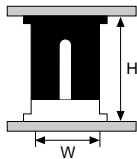
# molex® 0.50mm (.020") Pitch Board-to-Board Plug

## 53916 SMT, Dual Row Vertical Stacking

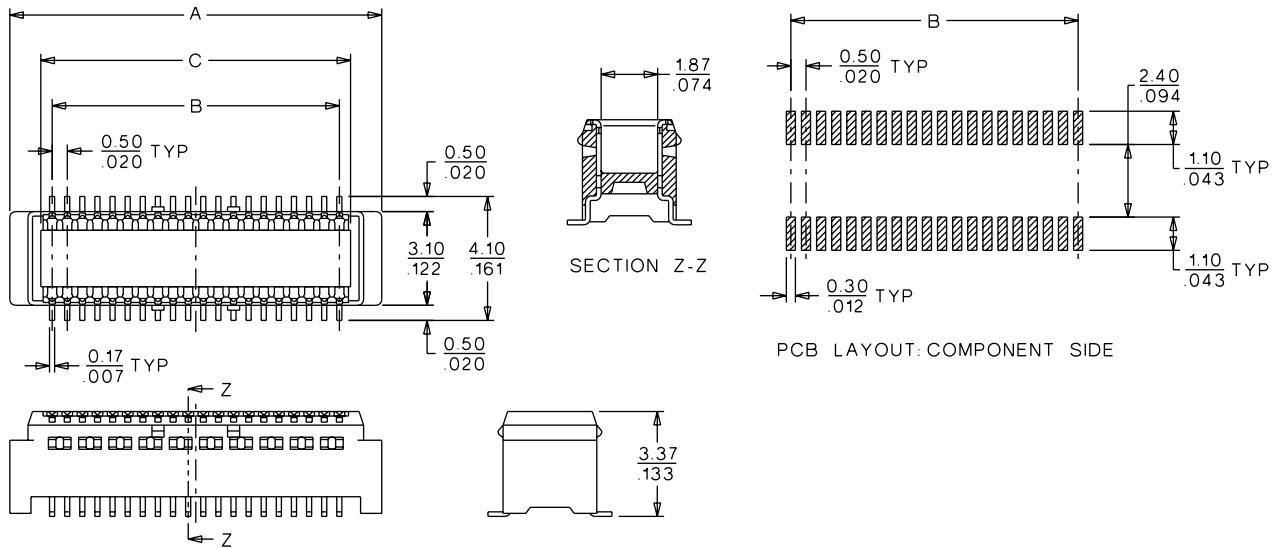


0.40 to 1.60mm (.016 to .063") Pitch

**Mating Dimensions**  
 53916 • 52991/54167  
 H=4.0mm W=5.4mm



## CATALOG DRAWING (FOR REFERENCE ONLY)



## ORDERING INFORMATION AND DIMENSIONS

Circuits	Order No.		Dimension			Carrier Tape Width
	With Vacuum Pick-up Tape	Without Vacuum Pick-up Tape	A	B	C	
20	53916-0204	53916-0208	7.30 (.287)	4.50 (.177)	5.24 (.206)	24.00 (.945)
30	53916-0304	53916-0308	9.80 (.385)	7.00 (.275)	7.74 (.304)	24.00 (.945)
40	53916-0404	53916-0408	12.30 (.484)	9.50 (.374)	10.24 (.403)	24.00 (.945)
50	53916-0504	53916-0508	14.80 (.484)	12.00 (.472)	12.74 (.501)	24.00 (.945)
60	53916-0604	53916-0608	17.30 (.681)	14.50 (.570)	15.24 (.600)	32.00 (1.260)

Note: Contact Molex for embossed tape specifications

Note: Use only one connector per daughterboard in order to insure proper mating alignment