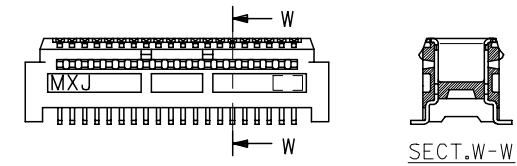
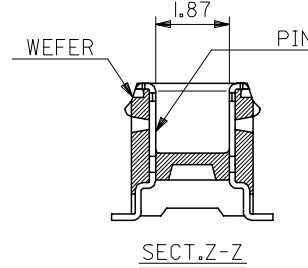
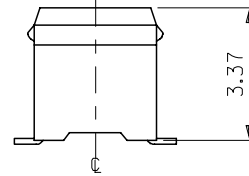
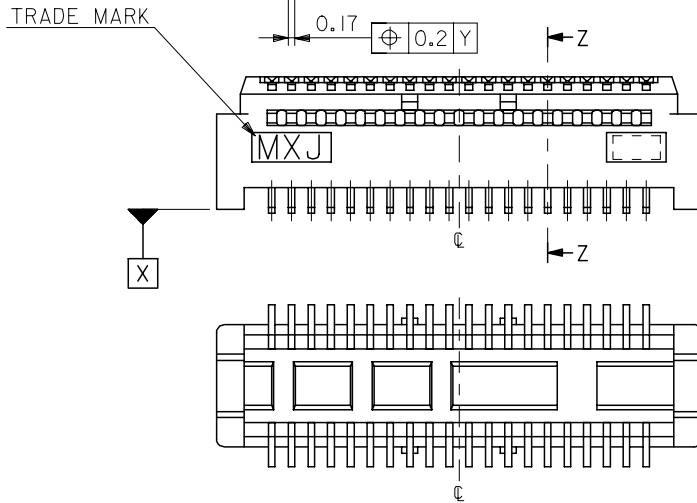
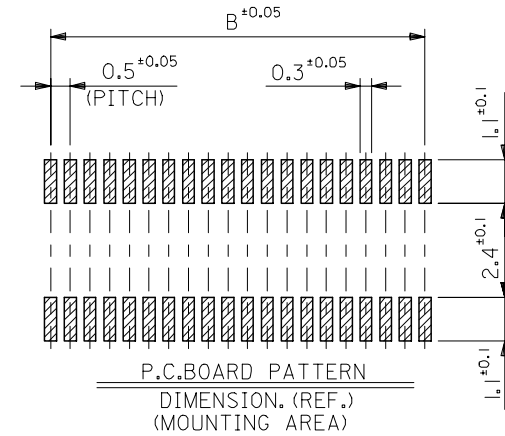
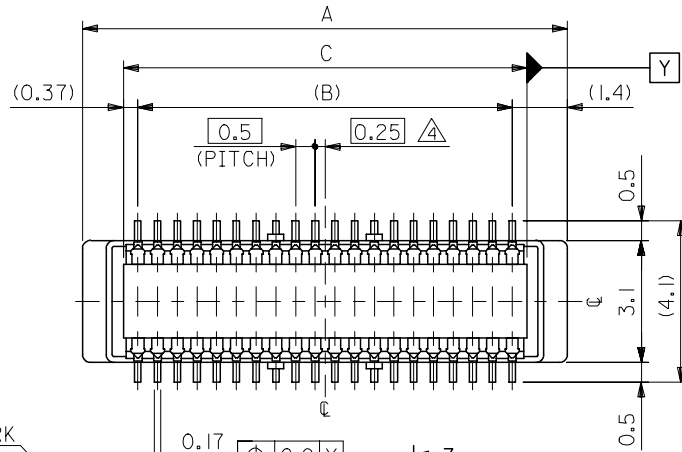


10 9 8 7 6 5 4 3 2 1



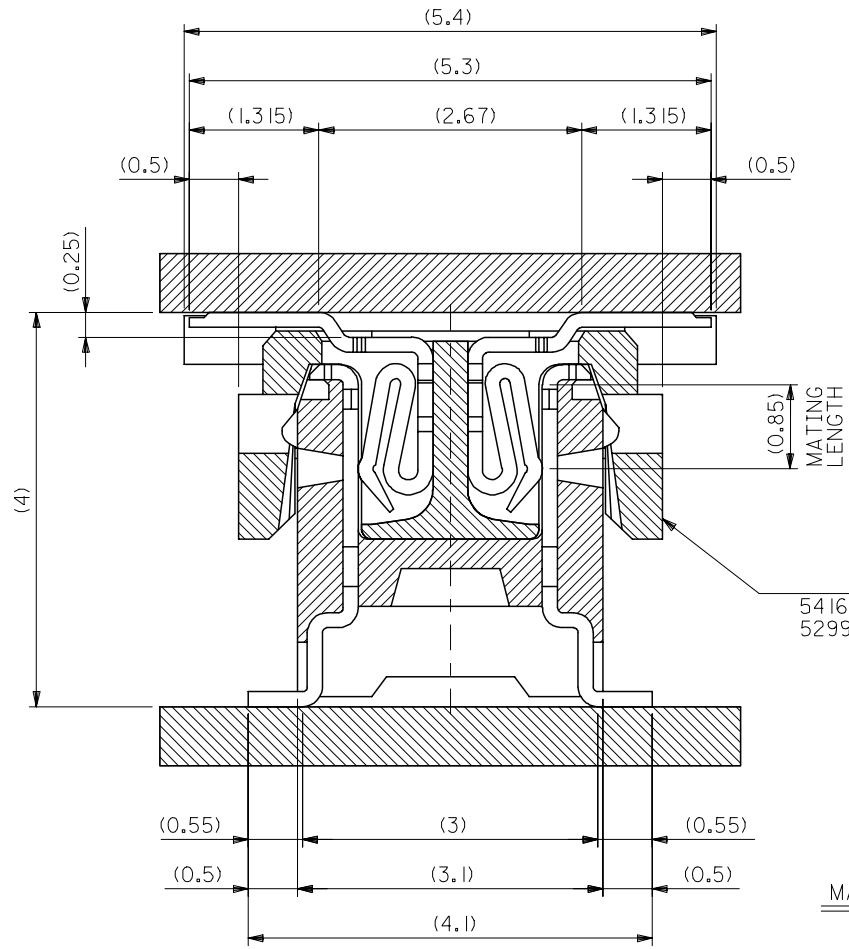
SHAPE OF OVER 60CKT.

20.24	19.5	22.3	53916-0801	80
17.74	17.0	19.8	-0701	70
15.24	14.5	17.3	-0601	60
12.74	12.0	14.8	-0501	50
10.24	9.5	12.3	-0401	40
7.74	7.0	9.8	-0301	30
5.24	4.5	7.3	53916-0201	20
	C	B	A	MATERIAL NO.
				CIRCUIT

NOTES:

- MATERIAL
WAFFER:LCP(G.F.)(COLOR :BLACK),UL94V-0
PIN:BRASS(t=0.15)
 - PLATING
ALL OVER : GOLD 0.1 MICROMETER MIN.
UNDER PLATING : NICKEL 1.5 MICROMETER MIN.
 - MISALIGNMENT OF SOLDER TAIL FROM [X]
: UPPER DIRECTION 0 , LOWER DIRECTION 0.15 MAX.
- △ APPLY FOR (CIRCUIT/2)=EVEN.
- MATE WITH : 54167 SERIES.
52991 SERIES.
 - TAIL COPLANARITY TO BE 0.1MAX.

REVISED EC NO: J2006-0604 DRAWN:NAIDA 2005/08/31 CHKD:KTOYODA 2005/09/01 APPR:NUKITA 2005/09/09	10 UNDER ±0.2 10 OVER 30 UNDER ±0.25 30 OVER ±0.3 ANGULAR ±3° DRAFT WHERE APPLICABLE MUST REMAIN WITHIN DIMENSIONS	GENERAL TOLERANCES (UNLESS SPECIFIED)	DIMENSION STYLE MM ONLY	SCALE ---	DESIGN UNITS METRIC	THIRD ANGLE PROJECTION	
	DRAWN BY S.AIHARA CHECKED BY M.SASAO APPROVED BY M.SASAO	DATE '96/11/28 DATE '01/12/26 DATE '01/12/26	MODEL NO. 53916-***1	TITLE 0.5 B/B CONN PLUG ASSY (W/O BOSS, W/O NAIL) -LEAD FREE-	MOLEX INCORPORATED	DOCUMENT NO. SD-53916-001	SHEET NO. 1 OF 2
	SEE CHART						THIS DRAWING CONTAINS INFORMATION THAT IS PROPRIETARY TO MOLEX INCORPORATED AND SHOULD NOT BE USED WITHOUT WRITTEN PERMISSION
	SIZE A3						



MATE WITH
54167-***1 (BLACK)
52991-***0 (WHITE)

MATED DRAWING (REF.)

REVISED EC NO: J2006-0604 DRW:NAIDA 2005/08/31 CHKD:KTOYODA 2005/09/01 APPR:NUKITA 2005/09/09 C REV	GENERAL TOLERANCES (UNLESS SPECIFIED)		DIMENSION STYLE MM ONLY		SCALE ---	DESIGN UNITS METRIC	THIRD ANGLE PROJECTION	
	10 UNDER ± ---	10 OVER 30 UNDER ± ---	DRAWN BY S.AIHARA	DATE '96/11/28	TITLE 0.5 B/B CONN PLUG ASSY (W/O BOSS, W/O NAIL) -LEAD FREE-			
	30 OVER ± ---	ANGULAR ± --- °	CHECKED BY M.SASAO	DATE '01/12/26	MOLEX INCORPORATED			
	DRAFT WHERE APPLICABLE MUST REMAIN WITHIN DIMENSIONS		MATERIAL NO. SEE CHART	DOCUMENT NO. SD-53916-001	SHEET NO. 2 OF 2			

53916-***1 MODEL NO.

10

9

8

7

6

5

4

3

2

1

F

E

D

C

B

A

F

E

D

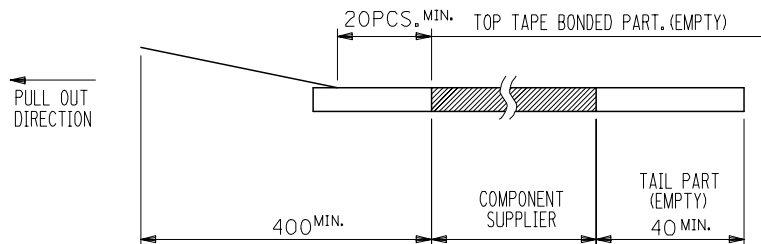
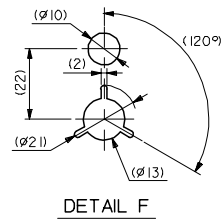
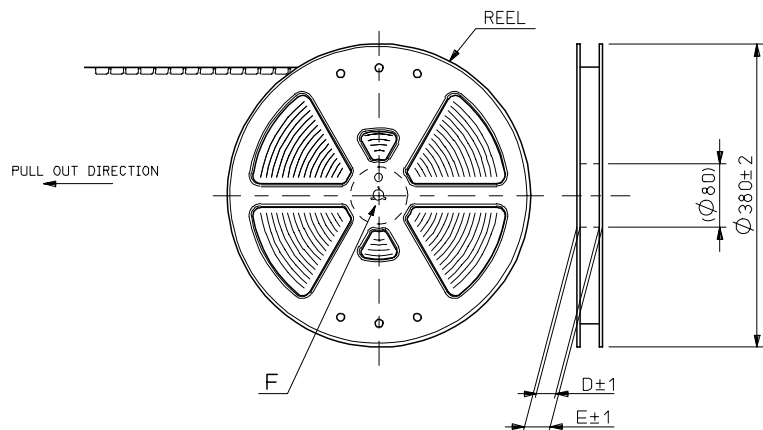
C

B

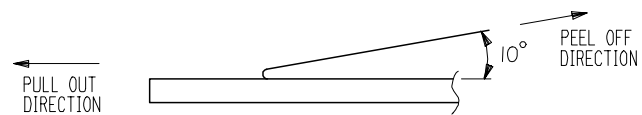
A

NOTES

- 1. RE DETAILED DIMENSION, SEE SD-53916-001
- 2. NUMBER OF CONNECTORS : 1500PCS/REEL
- 3. LEAD TAPE LENGTH



- 4. PEELING OFF FORCE OF TOP TAPE : 0.1N~1.3N (10gf~130gf)
(PEELING DIRECTION AS SHOWN IN FOLLOWING FIG.)
THIS REQUIREMENT SHOULD BE APPLIED AT SHIPMENT.
PEEL OFF SHOULD NOT BE ALLOWED , DURING TRANSPORTATION.



- 5. MATERIAL
CARRIER TAPE : POLYPROPYLENE
TOPTAPE : PET , PE , PEF
REEL : PS
POLYSTYREN(PS) <RECYCLE MATERIAL CONTAINED>

53916-***8 MODEL NO.

REVISED EC NO: J2006-0604 DRAWN:NAIDA 2005/08/31 CHKD:KTOYODA 2005/09/01 APPR:NUKITA 2005/09/09	GENERAL TOLERANCES (UNLESS SPECIFIED)		DIMENSION STYLE MM ONLY	SCALE ---	DESIGN UNITS METRIC	THIRD ANGLE PROJECTION
	10 UNDER	± 0.2	DRAWN BY S.AIHARA	DATE '96/11/27	TITLE 0.5 B/B CONN PLUG ASSY EMBSTP PKG -LEAD FREE-	
	10 OVER 30 UNDER	± 0.25	CHECKED BY T.ITO	DATE '01/01/26	MOLEX INCORPORATED	
	30 OVER	± 0.3	APPROVED BY M.FUKUSHIMA	DATE '01/01/26	DOCUMENT NO. SD-53916-002	
	ANGULAR	± 3 °	MATERIAL NO. SEE CHART		SHEET NO. 1 OF 4	
DRAFT WHERE APPLICABLE MUST REMAIN WITHIN DIMENSIONS		THIS DRAWING CONTAINS INFORMATION THAT IS PROPRIETARY TO MOLEX INCORPORATED AND SHOULD NOT BE USED WITHOUT WRITTEN PERMISSION				

10 9 8 7 6 5 4 3 2 1

F

F

E

E

D

D

C

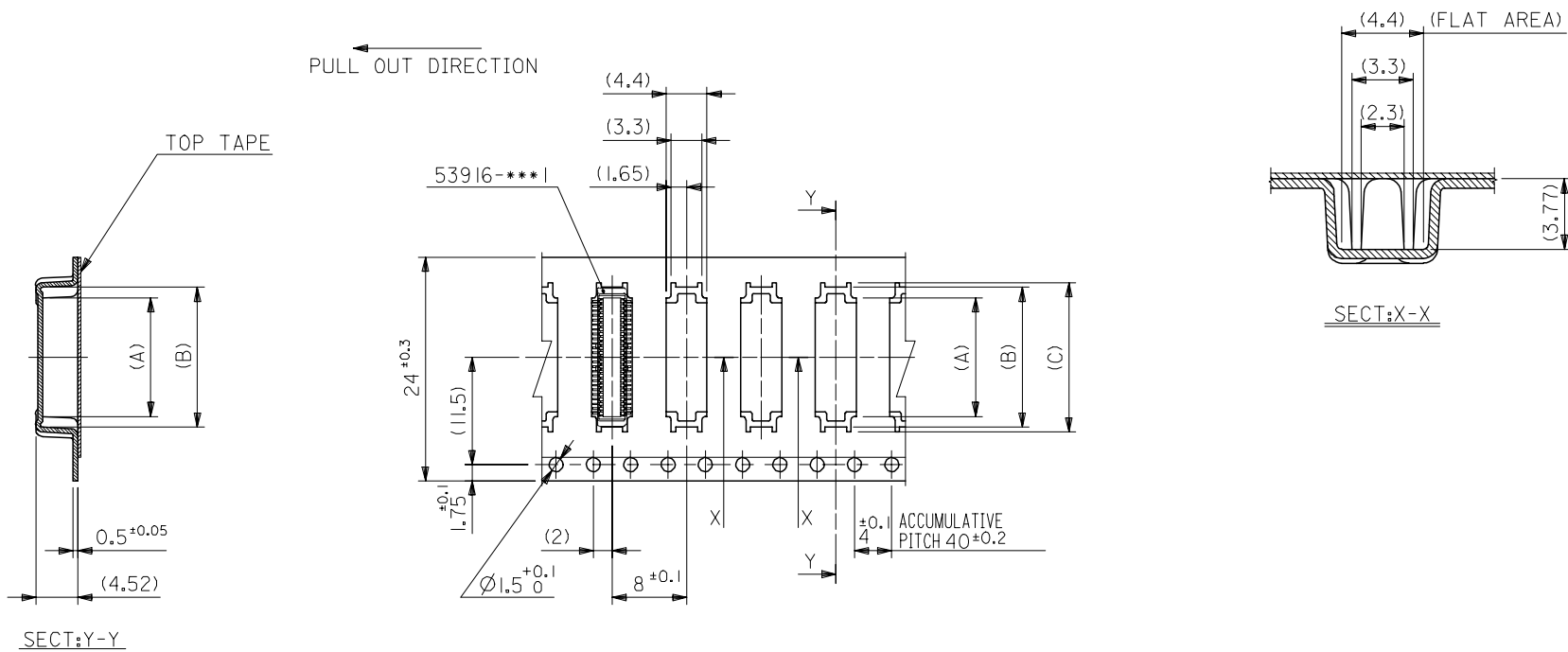
C

B

B

A

A



24mm WIDTH CARRIER TAPE

REVISED	EC NO: J2006-0604	DRAWN: NAIDA 2005/08/31	CHKD: KTOYODA 2005/09/01	APPR: NUKITA 2005/09/09	DESCRIPTION	53916-***8 MODEL NO.		CARRIER TAPE WIDTH	E	D	16	15	12.67	53916-0508	50	
						10 UNDER	± ---	29.4	25.4	13.5	12.5	10.17	53916-0408	40		
GENERAL TOLERANCES (UNLESS SPECIFIED)						DIMENSION STYLE		SCALE	DESIGN UNITS		THIRD ANGLE PROJECTION					
10 OVER 30 UNDER						MM ONLY		---	METRIC		0.5 B/B CONN PLUG ASSY					
30 OVER						DRAWN BY S. AIHARA		DATE '96/11/27	TITLE							
ANGULAR ± --- °						CHECKED BY T. ITO		DATE '01/01/26	EMBSTP PKG							
DRAFT WHERE APPLICABLE MUST REMAIN WITHIN DIMENSIONS						APPROVED BY M. FUKUSHIMA		DATE '01/01/26	-LEAD FREE-							
						MATERIAL NO.		DOCUMENT NO.		MOLEX INCORPORATED						
						SEE CHART		SD-53916-002		SHEET NO. 2 OF 4						
						SIZE A3		THIS DRAWING CONTAINS INFORMATION THAT IS PROPRIETARY TO MOLEX INCORPORATED AND SHOULD NOT BE USED WITHOUT WRITTEN PERMISSION								

10 9 8 7 6 5 4 3 2 1

F

E

D

C

B

A

F

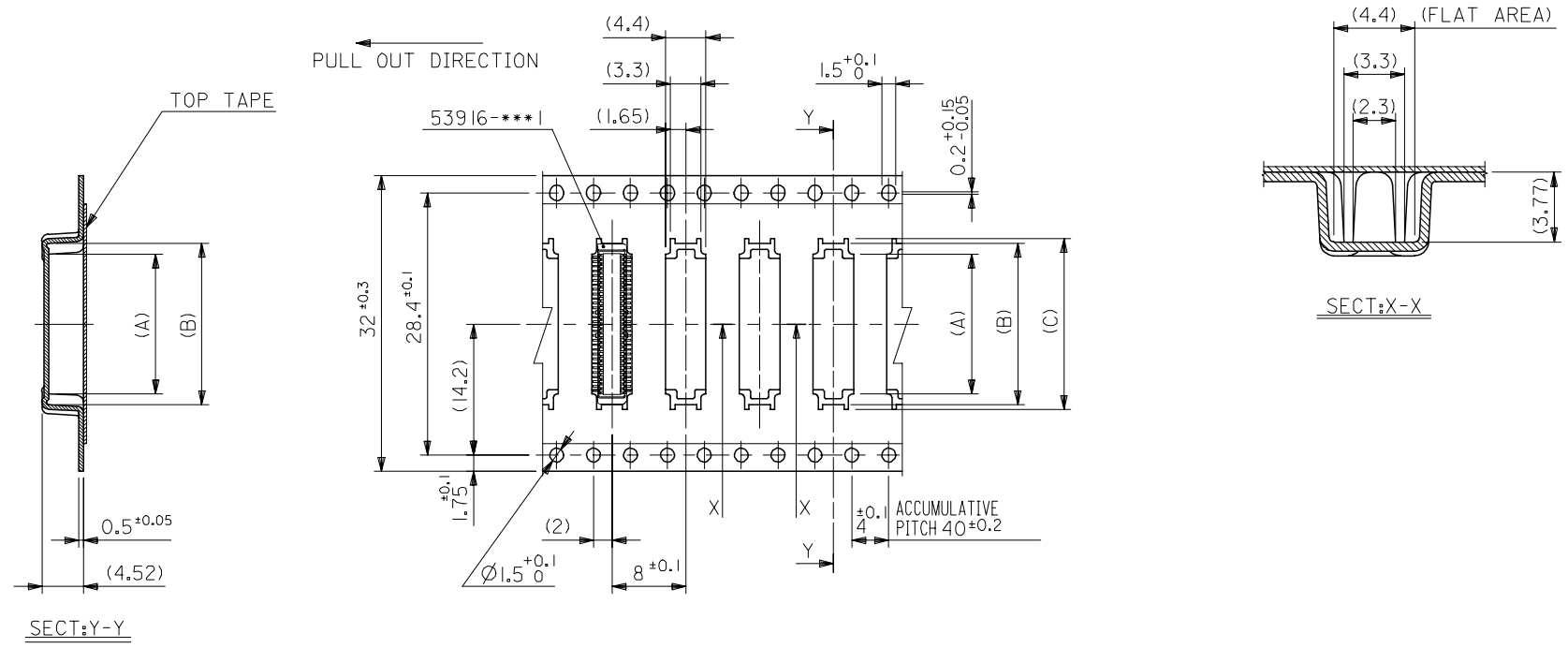
E

D

C

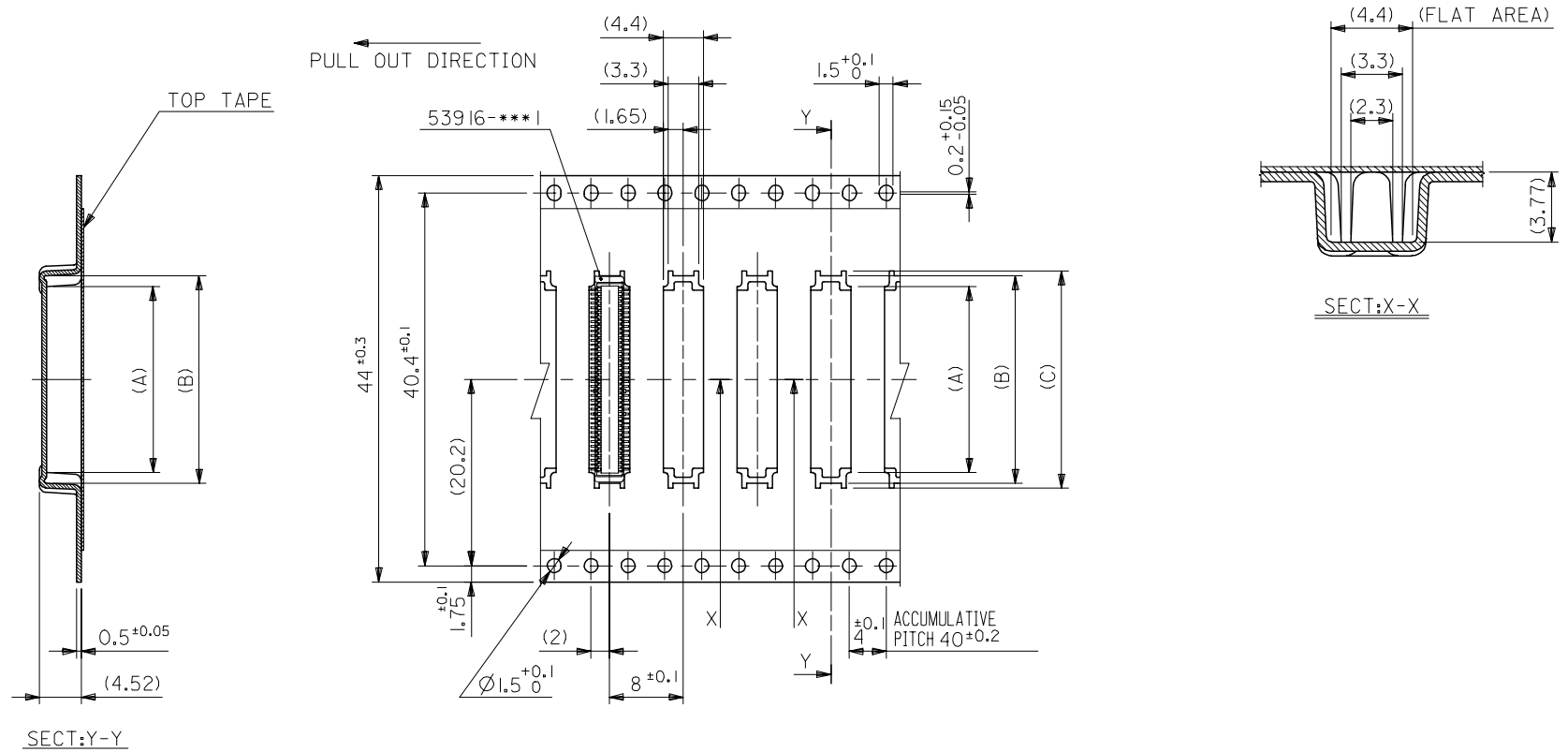
B

A



32mm WIDTH CARRIER TAPE

REVISED EC NO: J2006-0604 G DRW:NAIDA 2005/08/31 CHKD:KTOYODA 2005/09/01 APPR:NUKITA 2005/09/09	DESCRIPTION GENERAL TOLERANCES (UNLESS SPECIFIED) 10 UNDER ± --- 10 OVER 30 UNDER ± --- 30 OVER ± --- ANGULAR ± --- ° DRAFT WHERE APPLICABLE MUST REMAIN WITHIN DIMENSIONS	53916-***8	MODEL NO.	32	37.4	33.4	18.5	17.5	15.17	53916-0608	60
		CARRIER TAPE WIDTH	E	D	(C)	(B)	(A)	MATERIAL NO.	CIRCUIT		
		DIMENSION STYLE MM ONLY		SCALE ---	DESIGN UNITS METRIC		THIRD ANGLE PROJECTION				
		DRAWN BY T.YASUI		DATE '97/05/14		TITLE 0.5 B/B CONN PLUG ASSY EMBSTP PKG -LEAD FREE-					
CHECKED BY T.ITO		DATE '01/01/26		APPROVED BY M.FUKUSHIMA				DATE '01/01/26		MOLLEX MOLEX INCORPORATED	
MATERIAL NO.		SEE CHART		DOCUMENT NO. SD-53916-002				SHEET NO. 3 OF 4			
SIZE A3 THIS DRAWING CONTAINS INFORMATION THAT IS PROPRIETARY TO MOLEX INCORPORATED AND SHOULD NOT BE USED WITHOUT WRITTEN PERMISSION											



44mm WIDTH CARRIER TAPE

REVISED EC NO: J2006-0604 G DRAWN: NAIDA 2005/08/31 CHKD: KTOYODA 2005/09/01 APPR: NUKITA 2005/09/09 DESCRIPTION REV	53916-***8	MODEL NO.	44	49.4	45.4	23.5	22.5	20.17	53916-0808	80	
			CARRIER TAPE WIDTH	E	D	(C)	(B)	(A)	MATERIAL NO.	CIRCUIT	
	GENERAL TOLERANCES (UNLESS SPECIFIED)		DIMENSION STYLE	SCALE		DESIGN UNITS		THIRD ANGLE PROJECTION			
	10 UNDER ± ---		MM ONLY	---		METRIC					
	10 OVER 30 UNDER ± ---		DRAWN BY	DATE		TITLE					
30 OVER ± ---		S. AIHARA	'98/10/23		0.5 B/B CONN PLUG ASSY						
ANGULAR ± --- °		CHECKED BY	DATE		EMBSTP PKG						
DRAFT WHERE APPLICABLE MUST REMAIN WITHIN DIMENSIONS		T. ITO	'01/01/26		-LEAD FREE-						
		APPROVED BY	DATE		MOLEX INCORPORATED						
		M. FUKUSHIMA	'01/01/26		MATERIAL NO.						
		SEE CHART			DOCUMENT NO.			SHEET NO.			
		SIZE A3			THIS DRAWING CONTAINS INFORMATION THAT IS PROPRIETARY TO MOLEX INCORPORATED AND SHOULD NOT BE USED WITHOUT WRITTEN PERMISSION			4 OF 4			