

U.FL(f) to FAKRA(m) thread, LP-088, 12 cm

AM-88-UAPC12



SECTRON company offers a wide portfolio of high-quality handmade cable adaptors in various versions for M2M applications.

SECTRON product portfolio includes brand connectors and coaxial cables in diameters from 0.8 mm to 10 mm suitable for frequencies up to 6 GHz. Using the latest technologies and our experience in the field, we will manufacture and test each RF cable adaptor exactly for your device.

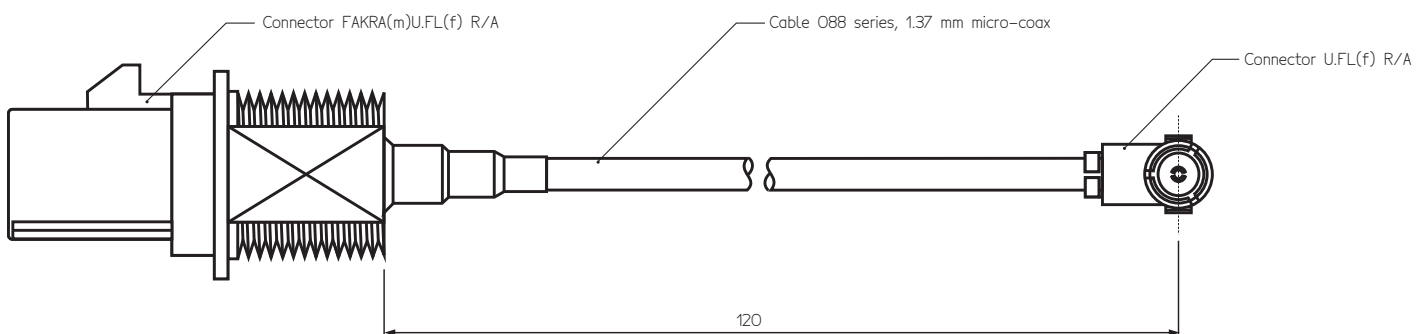
BENEFITS

- High reliability thanks to precise design
- Low Insertion loss
- Low VSWR

FEATURES

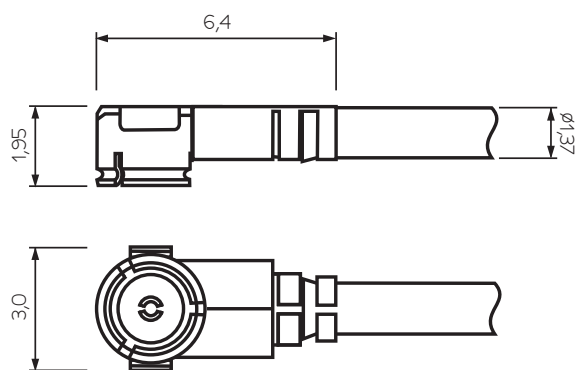
Frequency range	Up to 3 GHz
Impedance	50 ± 2 Ohm
Maximum VSWR	< 1.25:1 / 3 GHz
Maximum Insertion Loss	-0.55 dB / 3 GHz
Voltage power	
Maximum operating voltage	200 V AC/1 min
Cable type	Cable 088 series, Diameter 1.37 mm micro coax
Cable length	0.12 m
Connector type A	FAKRA - C(m)
Connector type B	U.FL-LP-088
Operating temperature	-40 °C to +90 °C
Weight	
Certification	RoHS

DRAWING - ADAPTOR



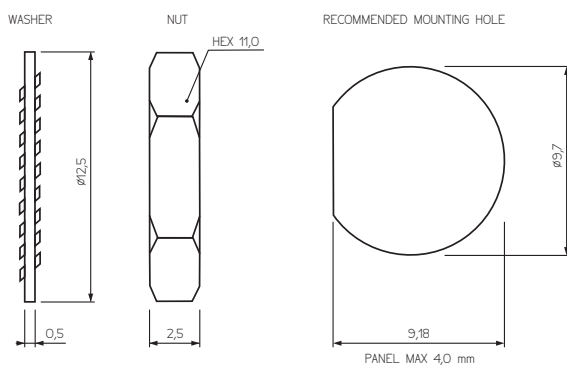
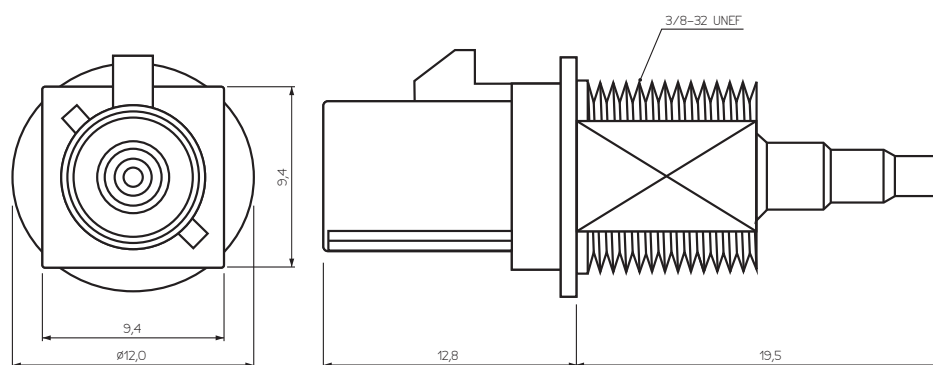
CONNECTORS PARAMETERS

Connector U.FL-LP-088



UNIT: mm

Connector FAKRA(m) bulhead front, 1.13-1.37 C1



UNIT: mm

U.FL connector material	
Shell	Phosphor Bronze
Contact	Silver plated
Center Contact	Phosphor Bronze
Nut	Gold plated
Insulator	Fluorinated ethylene propylene (FEP)
Mating Cycles	30 cycles

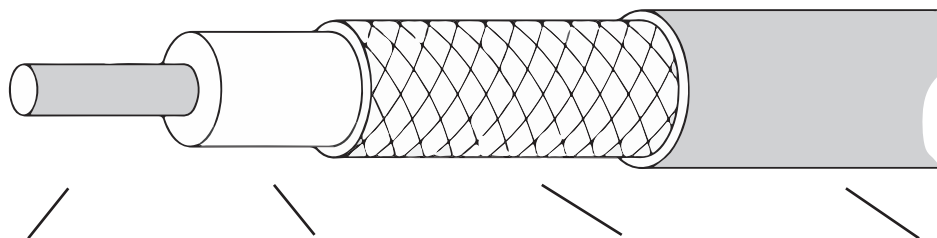
FAKRA C connector material	
Body	Brass, Nickel plated
Pin	Brass, Gold plated
Washer	Brass, Nickel plated
Nut	Brass, Nickel plated
Insulator	Teflon, White
Ferrule	Brass, Nickel plated
Shell	PA66, Blue
Mating Cycles	100 cycles

CZ: +420 556 621 030
INT: +420 556 621 020

CZ: obchod@sectron.cz
INT: sales@sectron.cz

SECTRON s.r.o.
Josefa Šavla 12, 709 00 Ostrava, Czech Republic

CABLE PARAMETERS

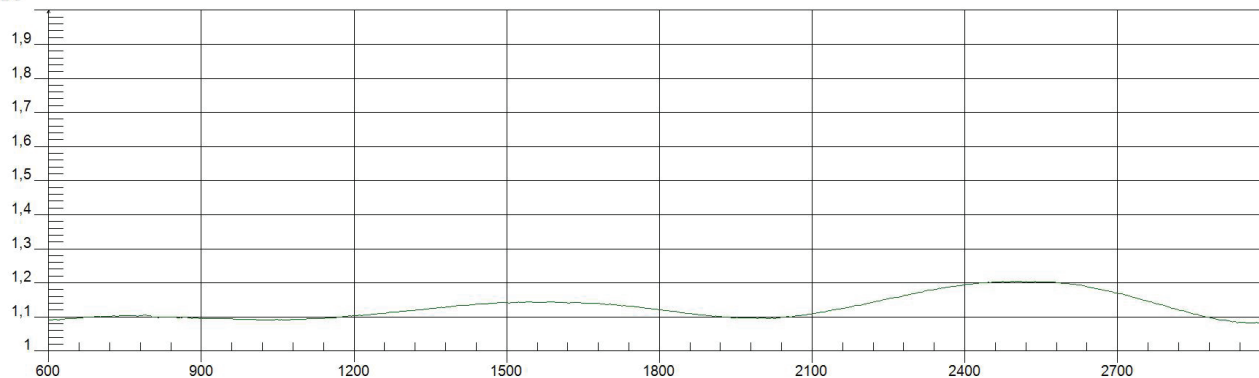


Inner Conductor	Insulation	Braid shield	Jacket
Material: Silver-plated Cu wire	Material: FEP	Material: Tinned Cu wire	Material: FEP
Stranding: 7×0.102 mm		Type braid: 16×6×∅0.05 mm	
Outer diameter: 0.31 mm	Outer diameter: 0.9±0.03 mm	Outer diameter: 1.13±0.05 mm	Outer diameter: 1.37±0.1 mm

ADAPTOR MEASUREMENT

GRAPH VSWR - VOLTAGE STANDING WAVE RATIO [-]

VSWR



GRAPH S12 - INSERTION LOSS [dB]

dB

