

U.FL SERIES CABLE ASSEMBLIES

FME (bulkhead, male) to U.FL-LP-088 (o.d.: 1.37 mm)

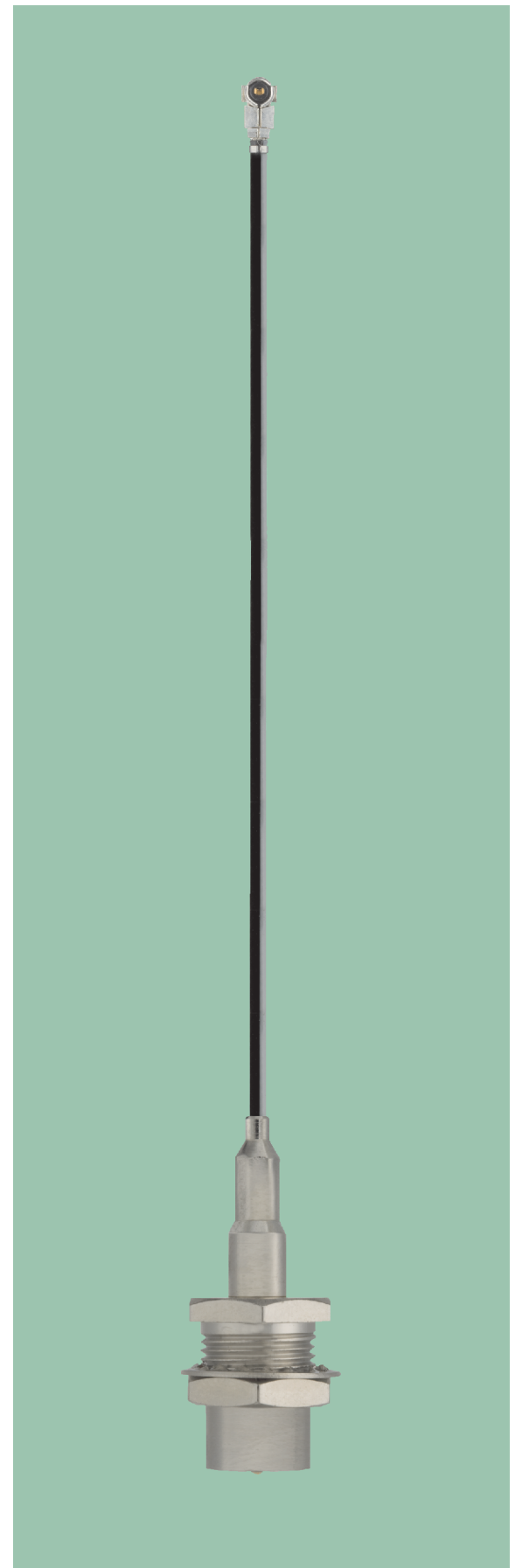
SECTRON assembles a series of Micro Coaxial Connectors with original Hirose U.FL connectors. The plant is placed in the Czech republic.

U.FL series offers very low Insertion Loss due to a choice of cable 088, low connector profile (2,5 mm) and small footprint (3 x 3 mm).

Features and benefits

- Low Insertion Loss
- Frequencies up to 3 GHz
- Easy Snap-On/Off Mating
- Reliable Mechanical Connection
- Ultra Low Profile

- WiFi
- GPS
- Bluetooth
- GSM
- PDA



HRS U.FL partner

FME

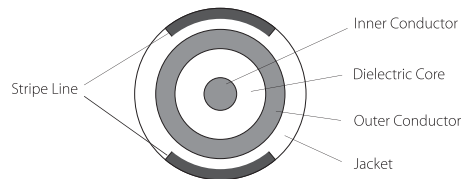
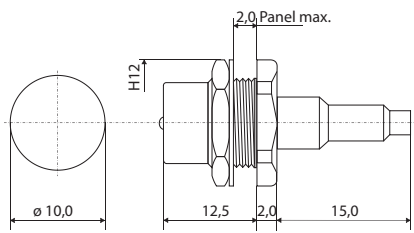
HRS
088

U.FL

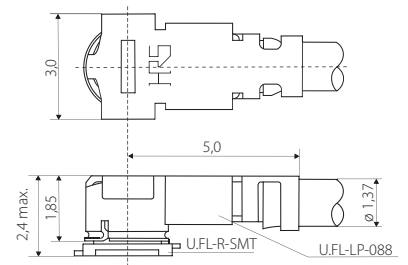
Specification

Frequency	0 - 3 GHz
VSWR	1.35 max. at 1.0 GHz / 1.8 max at 2.5 GHz
Nominal Impedance	50 Ω
Temperature range	-40 °C to + 90 °C
Voltage	60 V AC (rms)
Insulation Resistance	500 M Ω min.
Insertion Loss *	0.8 dB max. at 1.0 GHz / 1.2 dB max. at 2.5 GHz

* length of measured samples is 10 cm



Cable section description



FME connector

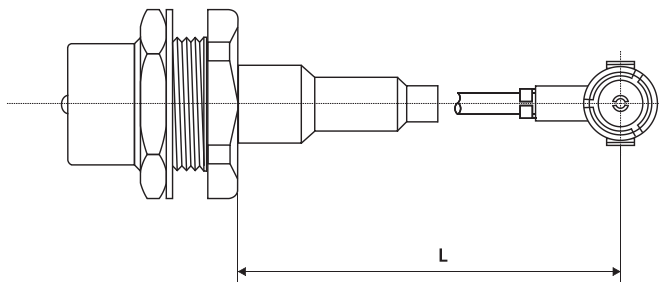
Body	Brass, Nickel
Contact	Brass, Gold Plated
Lock Washer	PH Bronze, Nickel Plated
Nut	Brass, Nickel Plated
Insulator	Teflon, White
Ferrule	Brass, Nickel Plated

Cable 088

Insulation	PFA
Conductor construct	ultra fine Teflon (o. d.: 1.37 mm), single shield
Min. bending radius	16 mm (min. radius for exceptional bending)

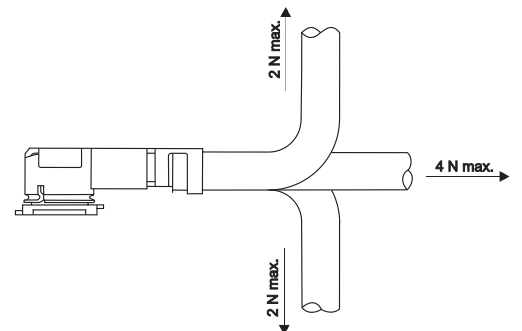
U.FL connector

Shell	PH Bronze, Silver Plated
Center contact	PH Bronze, Gold Plated
Insulator - plug	FEP
Mating cycles	30 cycles



Part numbering

L = 100 mm	AM-88-UFS10	FME (male) BULKHEAD to U.FL-LP-088, 100 \pm 3 mm
L = 200 mm	AM-88-UFS20	FME (male) BULKHEAD to U.FL-LP-088, 200 \pm 3 mm



Mechanical stress

Limitation stress to the connector (housing): 4.9N
Limitation stress to the outer sleeve, see picture.

SECTRON s. r. o., Czech republic

Výstavní 2510/10, 709 00 Ostrava - Mariánské Hory

Phone: +420 596 639 952, Fax: 596 626 467

Email: sales@sectron.cz, www.sectron.eu