



GSM ANTENNA

Antenna GSM Connector Mount FMEK,

90°/180°, 2 dBi, FME(f)

AO-AGSM-FMEK

SECTRON company offers a wide portfolio of GSM antennas with various versions differing in shape, level of gain and manner of attachment. SECTRON guarantees a compatible connection between an antenna and all antenna adaptors produced by SECTRON.

BENEFITS

- No cable required
- Adjustable angle

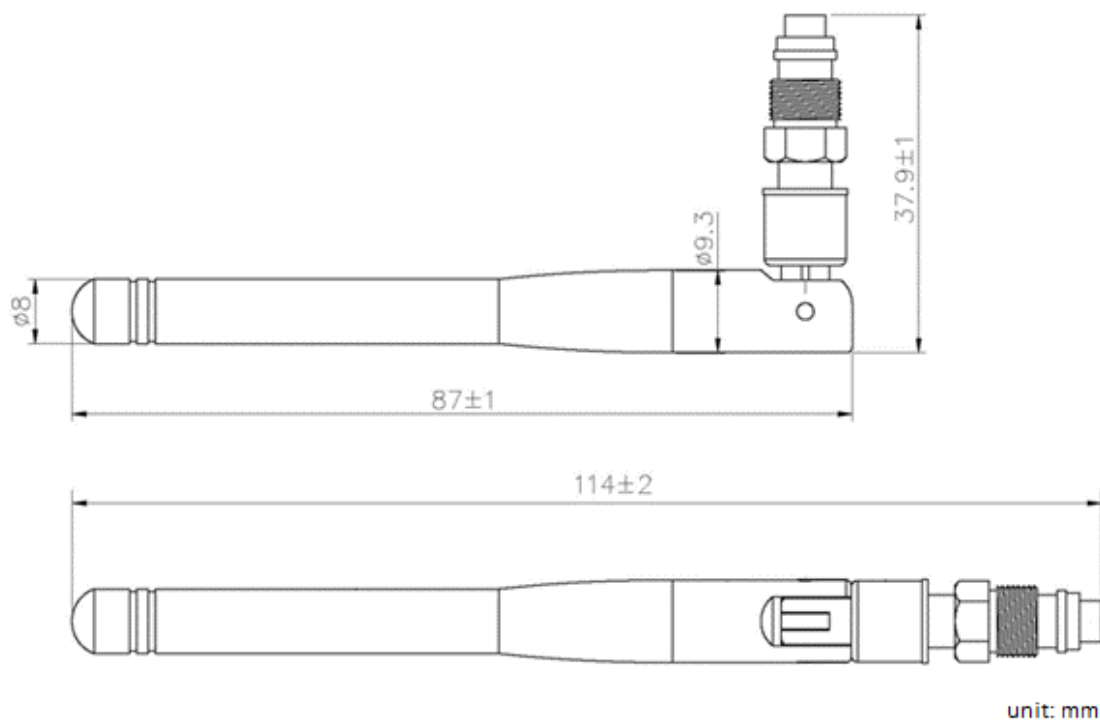


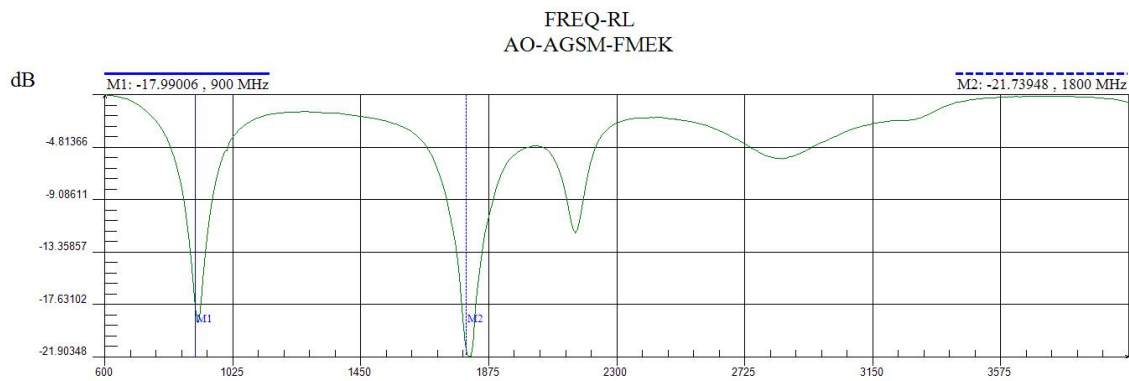
FEATURES

AO-AGSM-FMEK

Technology	GSM
Frequency bands	800/900/1800/1900/2100 MHz
Bandwidth	-
Gain	2 dBi
VSWR	<2.5:1
Impedance	50 Ohm
Directivity	Omnidirectional
Beam angle	H 360° V 30°
Polarization	Linear
Maximum input power	10 W
Power voltage	-
Dimensions	180°: 114 x \varnothing 9.3; 90°: 87 x 37.9 x \varnothing 9.3 mm
Weight	11.96 g
Operating temperature	-20 to +60 °C
Execution	External
Method of attachment	Screw mount
Cable type	-
The cable length	-
Connector type	FME(f)

DRAWING



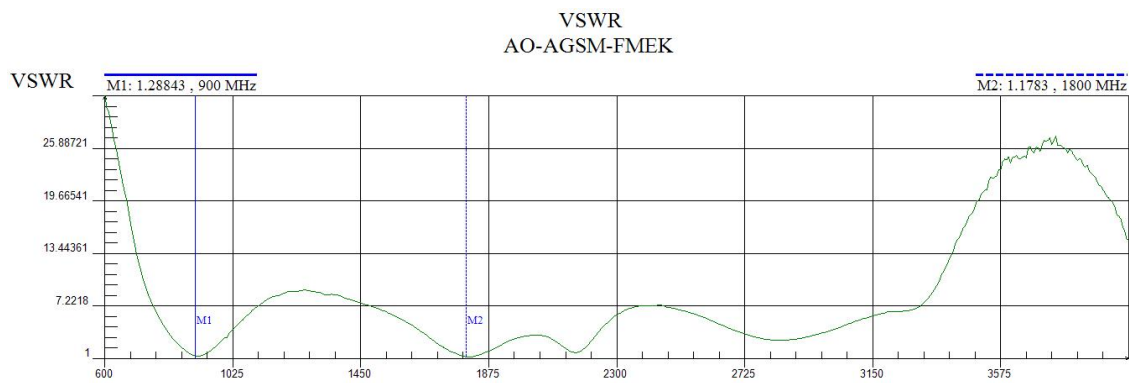
S_{11} - Return Loss [dB]

Date: 2021-08-19
Time:

Frequency(600 - 4000 MHz)
Resolution: 521
Cal: ON

IIM: OFF
Keysight
SN: CN0132000230

VSWR – Voltage standing wave ratio [-]



Date: 2021-08-19
Time:

Frequency(600 - 4000 MHz)
Resolution: 521
Cal: ON

IIM: OFF
Keysight
SN: CN0132000230

Different connector variants or cable lengths are available on request.

SECTRON s.r.o. Josefa Šavla 1271/12
709 00 Ostrava 9, Czech Republic

WWW.SECTRON.CZ
Tel.: +420 556 621 020