



GSM ANTENNA

Antenna GSM M96-1, 5 dBi,
SMA(m), RG174/5m, w/o holder

AO-AGSM-M96-1S

SECTRON company offers a wide portfolio of GSM antennas with various versions differing in shape, level of gain and manner of attachment. SECTRON guarantees a compatible connection between an antenna and all antenna adaptors produced by SECTRON.

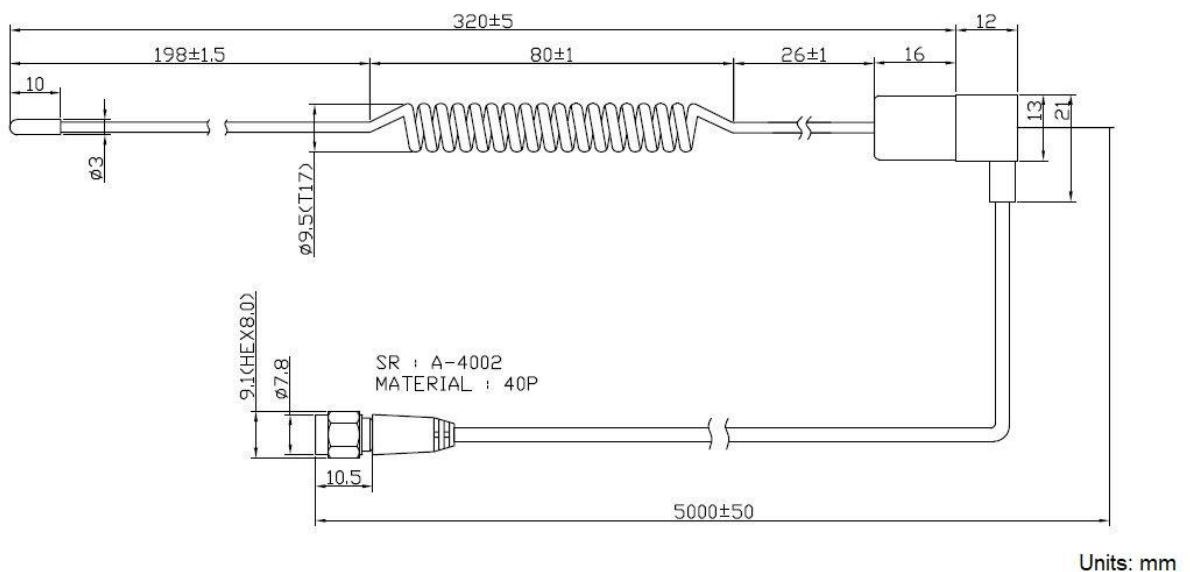


BENEFITS

- Low VSWR
- High gain

Technology	GSM
Frequency bands	800/900/1800/1900 MHz
Bandwidth	-
Gain	5 dBi
VSWR	<2:1
Impedance	50 Ohm
Directivity	Omnidirectional
Beam angle	H 360° V 75°
Polarization	Linear
Maximum input power	10 W
Power voltage	-
Dimensions	332 x 13 mm
Weight	87.41 g
Operating temperature	-40 to +85 °C
Execution	External
Method of attachment	-
Cable type	RG174
The cable length	5 m
Connector type	SMA(m)

DRAWING



VARIANTS

Different connector variants or cable lengths are available on request.

CONTACTS

SECTRON s.r.o. Josefa Šavla 1271/12
709 00 Ostrava 9, Czech Republic

WWW.SECTRON.CZ
Tel.: +420 556 621 021