



# GSM ANTENNA

Antenna GSM Magnetic 50,

5 dBi, FME(f), RG174/3m

AO-AGSM-MG5F

SECTRON company offers a wide portfolio of GSM antennas with various versions differing in shape, level of gain and manner of attachment. SECTRON guarantees a compatible connection between an antenna and all antenna adaptors produced by SECTRON.

## BENEFITS

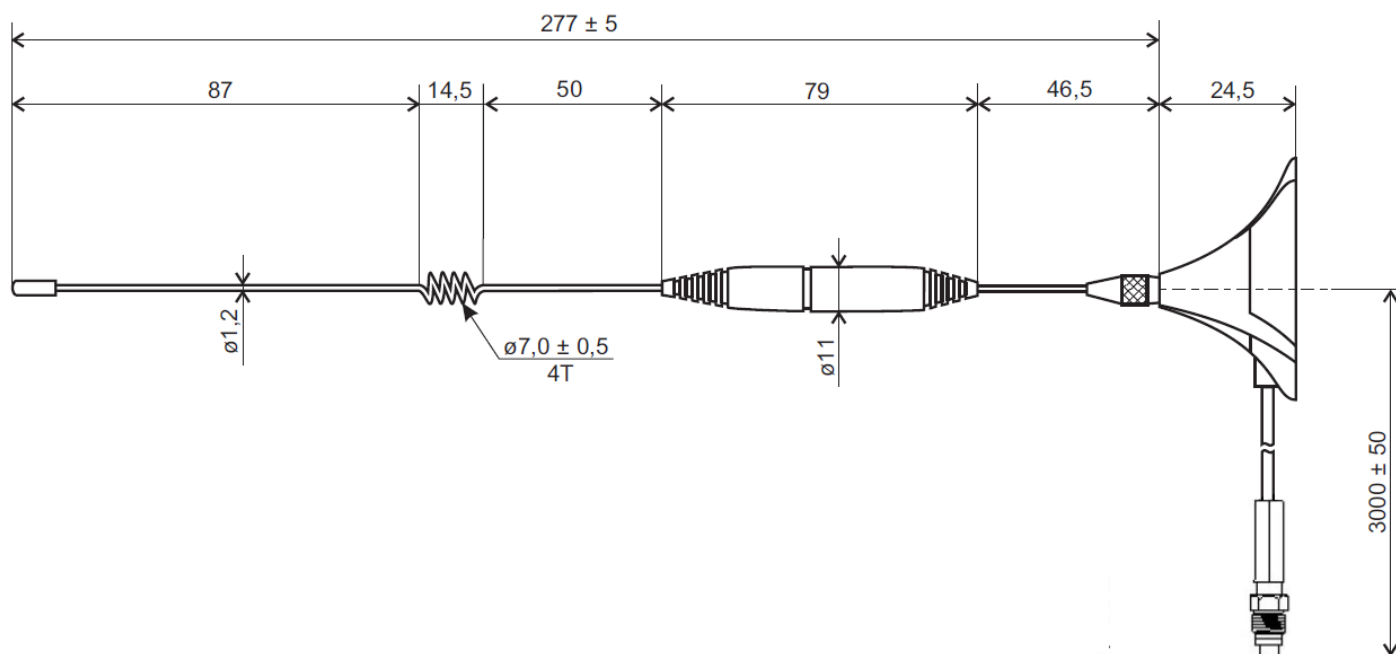
- Low VSWR
- Easy installation
- Omnidirectional - suitable for moving devices



Technology	GSM
Frequency bands	800/900/1800/1900/2100 MHz
Bandwidth	-
Gain	5 dBi
VSWR	<1.8:1
Impedance	50 Ohm
Directivity	Omnidirectional
Beam angle	H-360°, V-30°
Polarization	Vertical
Maximum input power	10 W
Power voltage	-
Dimensions	40 x 300 mm
Weight	60 g
Operating temperature	-30 to +90 °C
Execution	External
Method of attachment	Magnetic
Cable type	RG174 / U
The cable length	3 m
Connector type	FME (f)

DRAWING

AO-AGSM-MG5F



## ALL VARIANTS

VARIANT	PART NUMBER
Antenna GSM Magnetic 50, 5dB, FME(f), RG174 3m	AO-AGSM-MG5F
Antenna GSM Magnetic 50, 5dB, MCX90(m), RG174 3m	AO-AGSM-MG5M
Antenna GSM Magnetic 50, 5dB, MMCX(m), RG174 3m	AO-AGSM-MG5C
Antenna GSM Magnetic 50, 5 dB, SMA(m), RG174/3m	AO-AGSM-MG5S
Antenna GSM Magnetic 50, 5dB, RG174/5m/open	AO-AGSM-MG5

## CONTACTS

SECTRON s.r.o. Josefa Šavla 1271/12  
709 00 Ostrava 9, Czech Republic

WWW.SECTRON.CZ  
Tel.: +420 556 621 021