



GSM ANTENNA

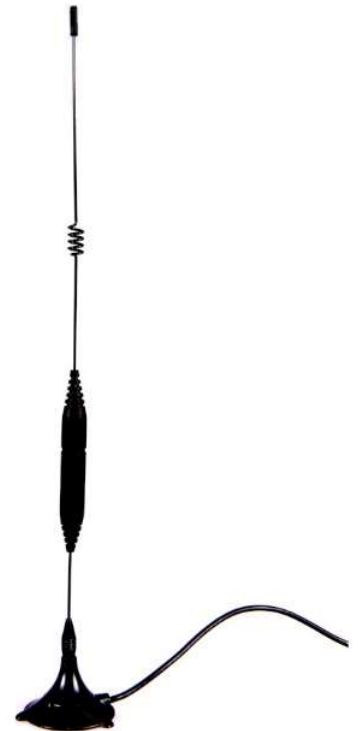
Antenna GSM Magnetic 50,
5dBi, MCX90(m), RG174 3m

AO-AGSM-MG5M

SECTRON company offers a wide portfolio of GSM antennas with various versions differing in shape, level of gain and manner of attachment. SECTRON guarantees a compatible connection between an antenna and all antenna adaptors produced by SECTRON.

BENEFITS

- Low VSWR
- Easy installation
- Omnidirectional – suitable for moving devices

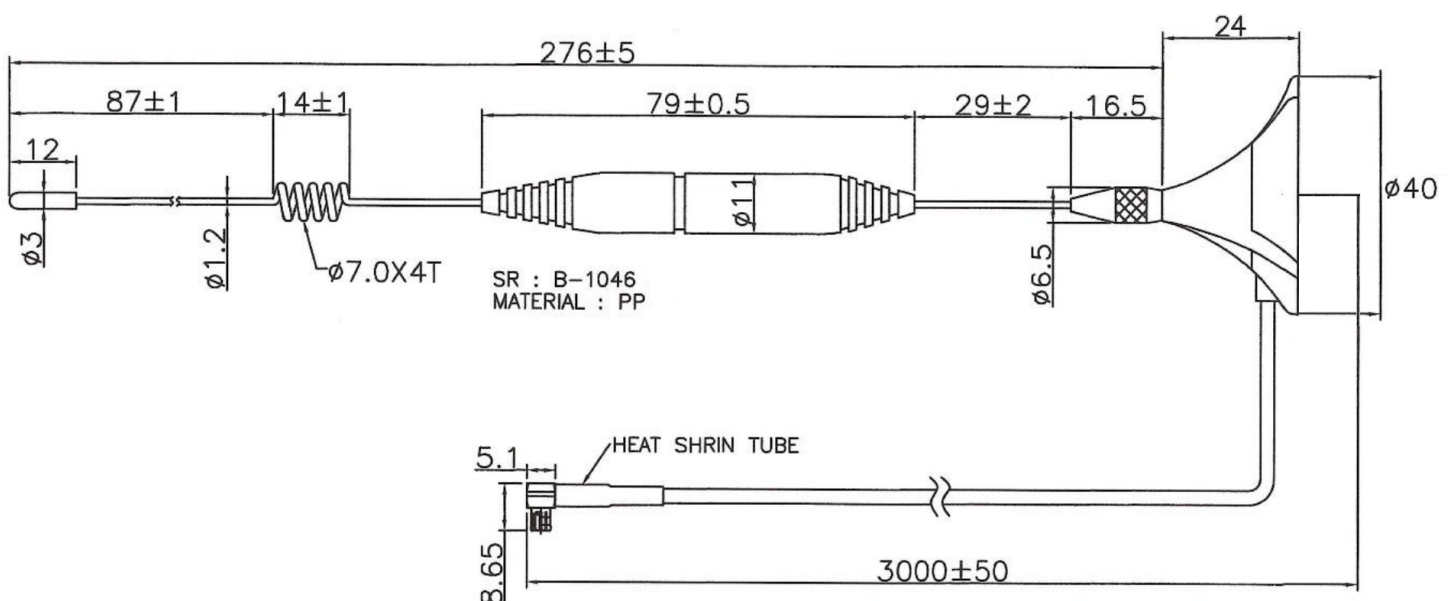


FEATURES

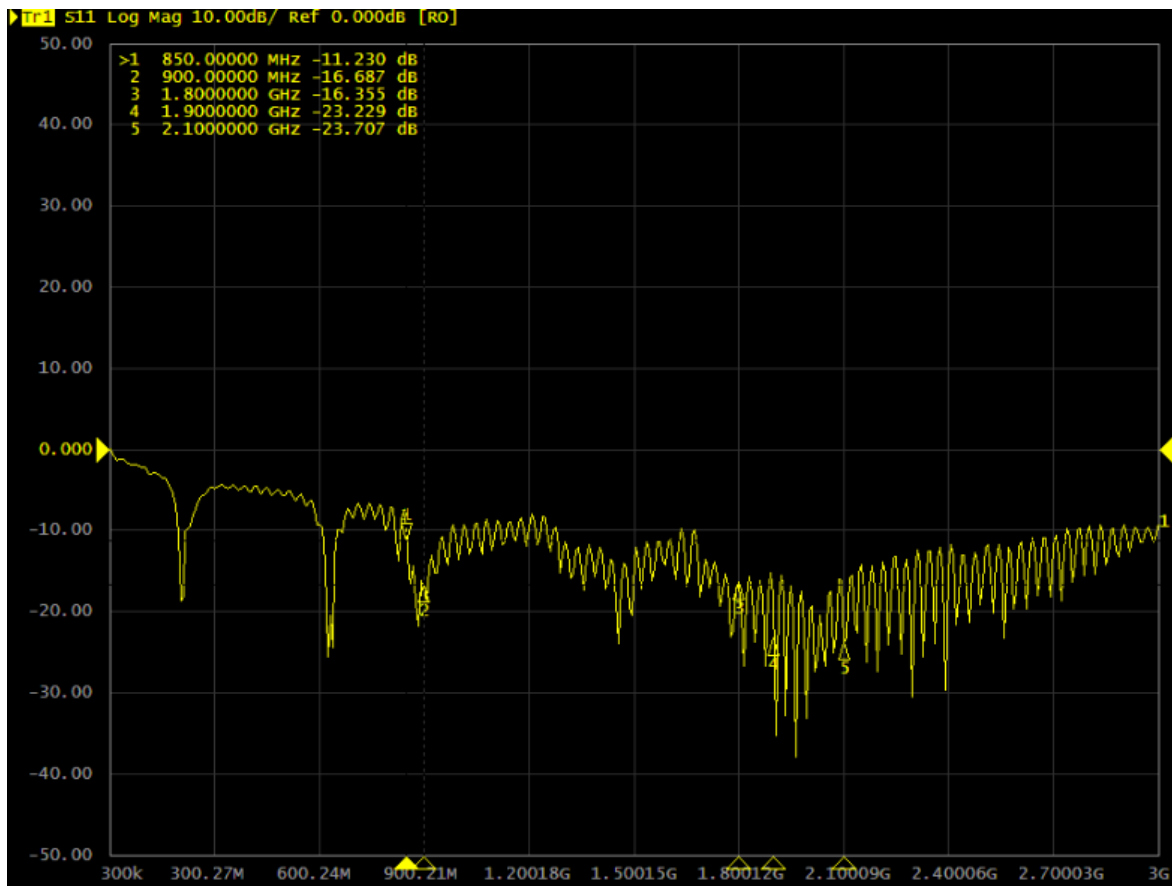
AO-AGSM-MG5M

Technology	GSM
Frequency bands	850/900/1800/1900/2100 MHz
Bandwidth	-
Gain	5 dBi
VSWR	<1.8:1
Impedance	50 Ohm
Directivity	Omnidirectional
Beam angle	H 360° V 30°
Polarization	Linear
Maximum input power	10 W
Power voltage	-
Dimensions	∅40 x 300 mm
Weight	54 g
Operating temperature	-40 to +85 °C
Execution	External
Method of attachment	Magnet Mount
Cable type	RG174/U
The cable length	3 m
Connector type	MCX(m)90°
Certification	RoHS

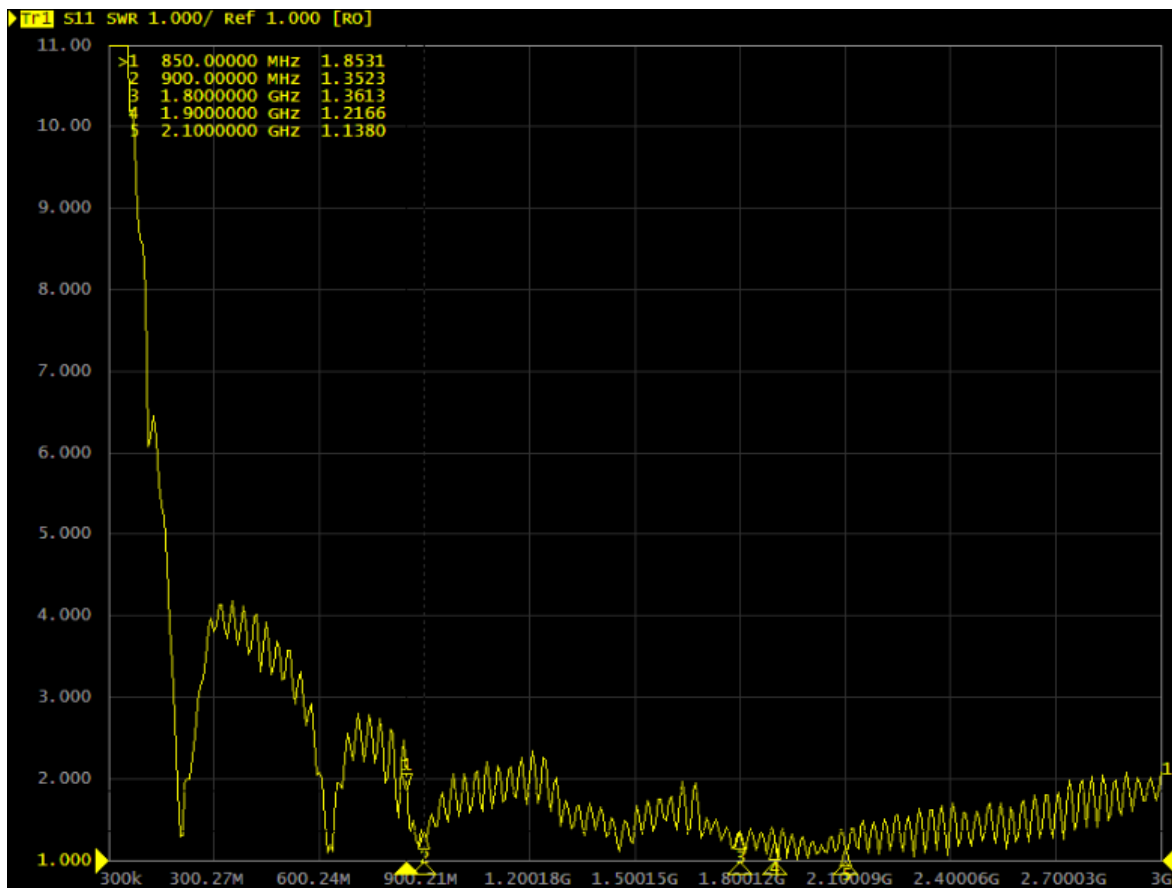
DRAWING



S_{11} - Return Loss [dB]



VSWR – Voltage standing wave ratio [-]



Frequency [MHz]	S_{11} [dB]	VSWR [-]	Gain [dBi]	Efficiency [%]
850	-11.23	1.85	-3.08	19.68
900	-16.68	1.35	0.4	42.85
1800	-16.35	1.36	1.48	44.67
1900	-23.22	1.21	1.11	42.95
2100	-23.70	1.13	3.45	54.58

Different connector variants or cable lengths are available on request.

SECTRON s.r.o. Josefa Šavla 1271/12
709 00 Ostrava 9, Czech Republic

WWW.SECTRON.CZ
Tel.: +420 556 621 020