



Antenna GSM/UMTS

Antenna GSM/UMTS

Magnet Mount 90, 6 dBi,
SMA(m), CFD-200/3.5m

AO-AGSM-MG9C

SECTRON company offers a wide portfolio of GSM/UMTS antennas with various versions differing in shape, level of gain and manner of attachment. SECTRON guarantees a compatible connection between an antenna and all antenna adaptors produced by SECTRON.

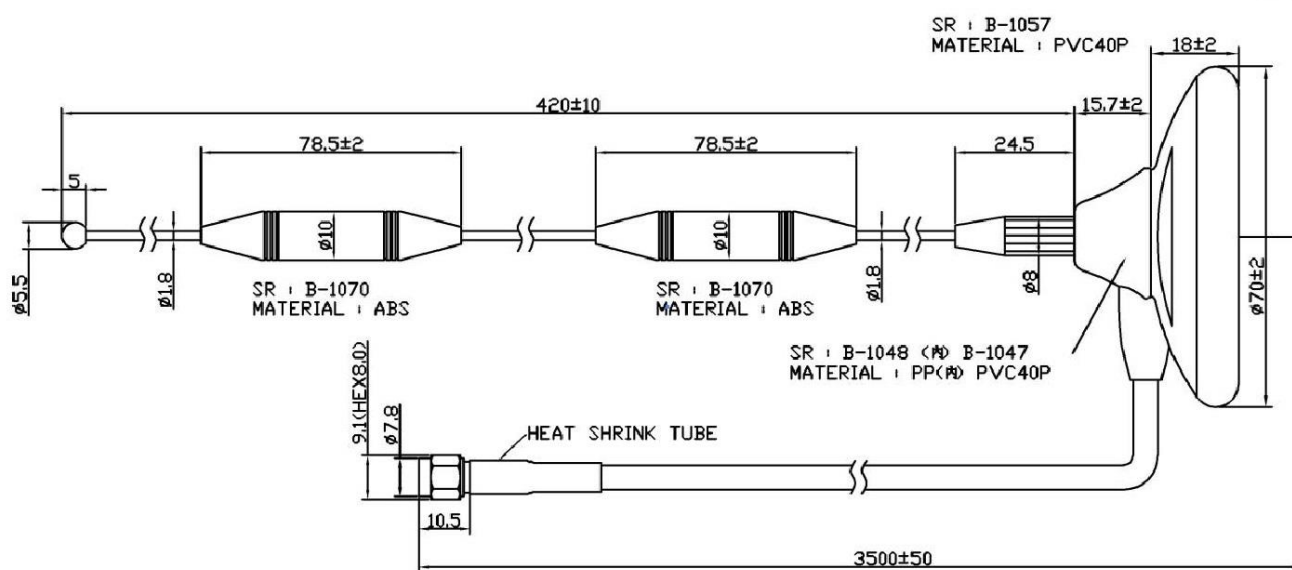
BENEFITS

- Low VSWR
- High gain
- Easy installation
- Strong magnet mount
- Low loss cable



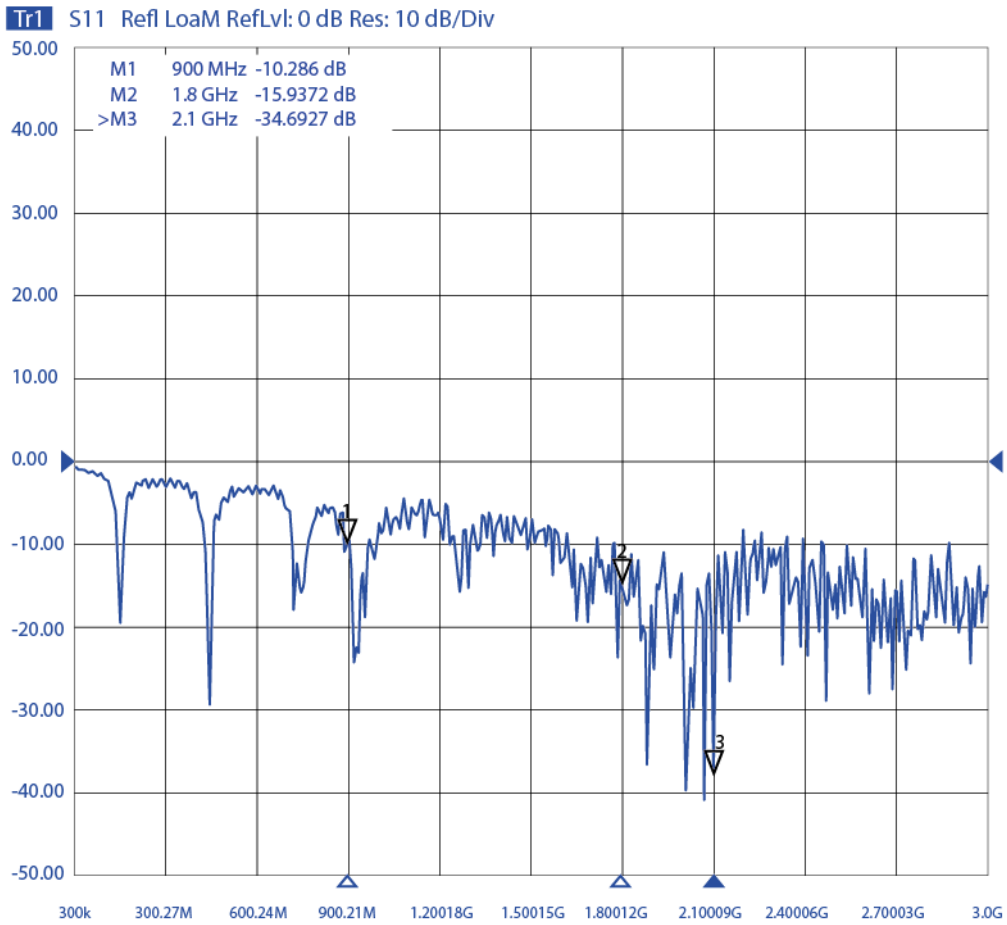
Technology	GSM/UMTS
Frequency bands	700-960/1710-2170-2700 MHz
Bandwidth	Wideband
Gain	6.3 dBi
VSWR	< 2.0:1
Impedance	50 Ohm
Directivity	Omnidirectional
Beam angle	Via attached graphs below
Polarization	Vertical
Maximum input power	10 W
Power voltage	-
Dimensions	454 ± 10 x 70 mm
Weight	- g
Operating temperature	-20 °C~ + 80 °C
Execution	External
Method of attachment	Magnet mount
Cable type	CFD-200
The cable length	3.5 m
Connector type	SMA(m)
Certification	RoHs, ISO 9001, ISO 14001

DRAWING

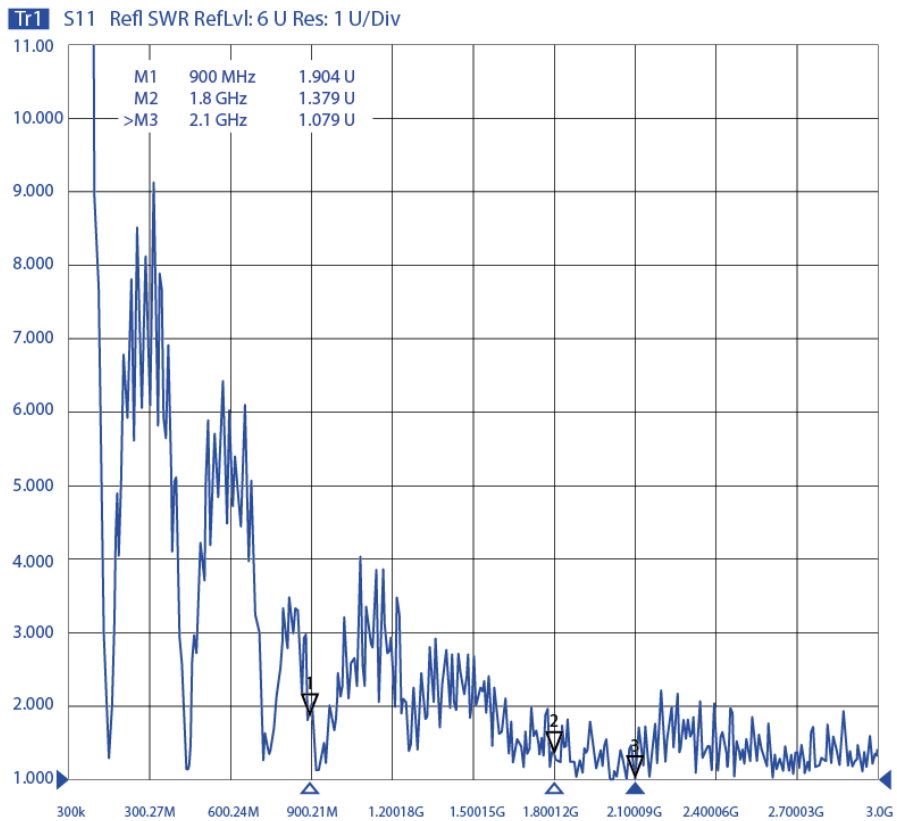


Units: mm

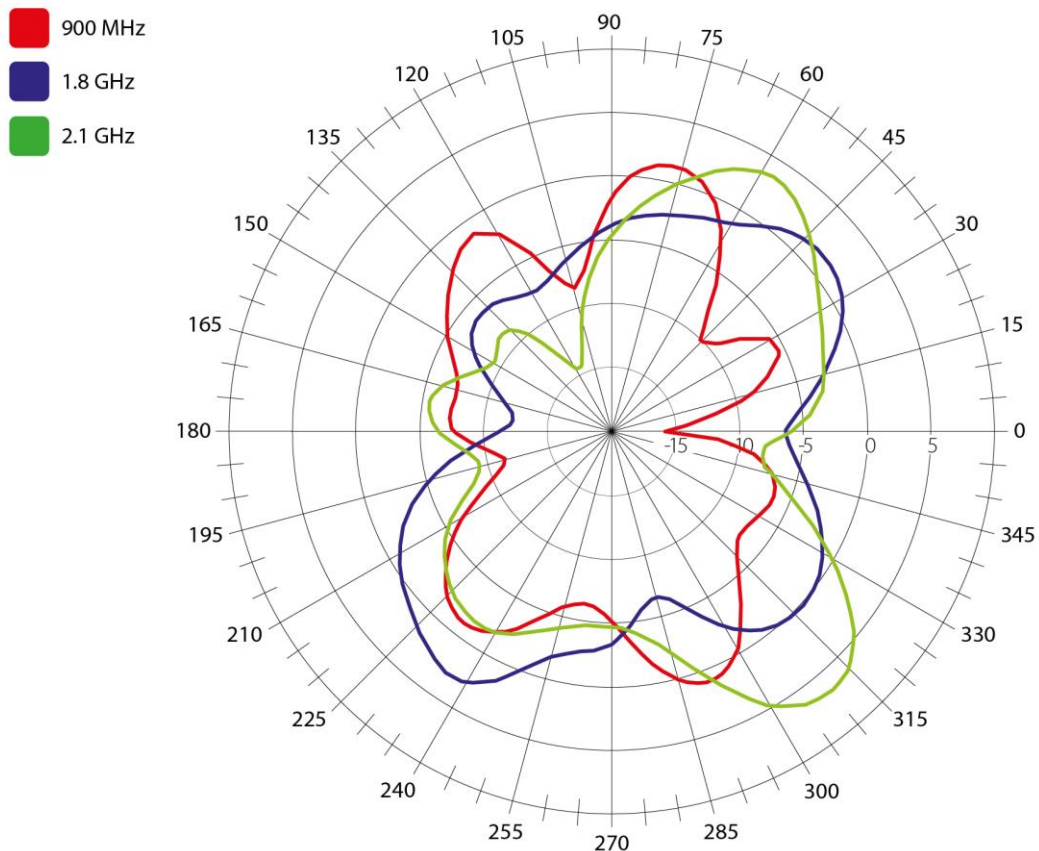
S₁₁ [dB] – RETURN LOSS



VSWR – STANDING WAVE RATIO [-]



2D RADIATION PATTERN



Frequency (MHz)	Return Loss (dB)	VSWR	Efficiency (%)	Gain (dBi)
900	-10.28	1.90	52	1.33
1800	-15.93	1.37	66.68	3.27
2100	-34.69	1.07	80.17	6.27

ALL VARIANTS

Different connector variants or cable lengths are available on request.

CONTACTS

SECTRON s.r.o. Josefa Šavla 1271/12
709 00 Ostrava 9, Czech Republic

WWW.SECTRON.CZ
Tel.: +420 556 621 020