



## GSM ANTENNA

Antenna GSM Adhesive 25, 2.5 dBi,  
Open end, RG174U/3m

AO-AGSM-SA1

SECTRON company offers a wide portfolio of GSM antennas with various versions differing in shape, level of gain and manner of attachment. SECTRON guarantees a compatible connection between an antenna and all antenna adaptors produced by SECTRON.

### BENEFITS

- Low VSWR
- Easy installation
- Omnidirectional - suitable for moving devices

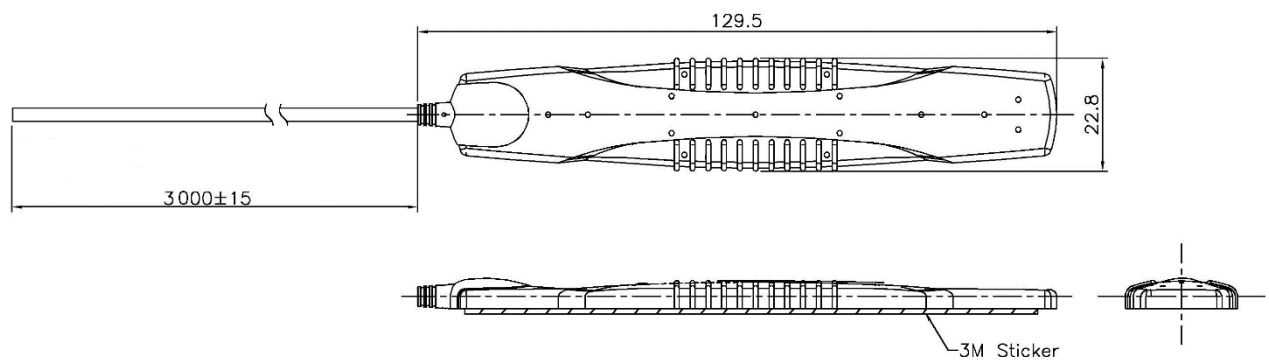
### FEATURES



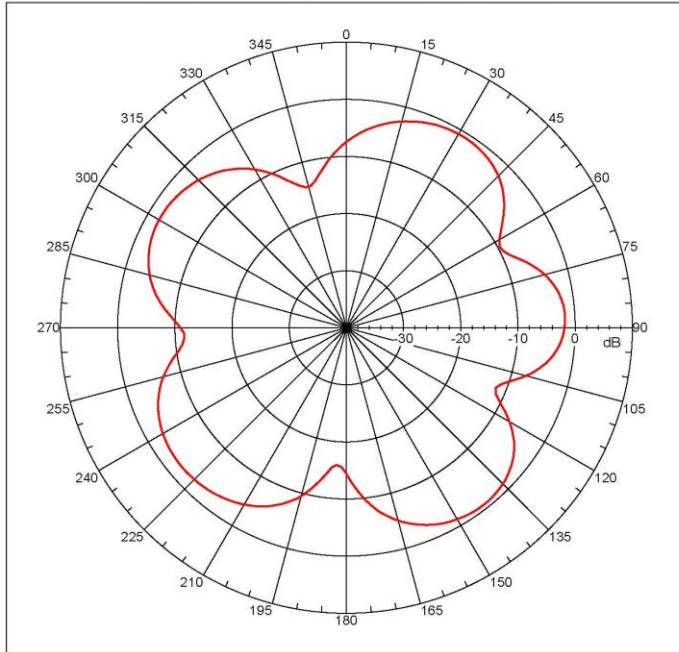
AO-AGSM-SA1

Technology	GSM
Frequency bands	800/900/1700/1800 MHz
Bandwidth	-
Gain	2.5 dBi
VSWR	<2.0:1
Impedance	50 Ohm
Directivity	Omnidirectional
Beam angle	H 360° V 30°
Polarization	Vertical
Maximum input power	10 W
Power voltage	-
Dimensions	129.5 x 22.8 x 6.7 mm
Weight	50.3 g
Operating temperature	-30 to +80 °C
Execution	External
Method of attachment	Adhesive
Cable type	RG174/U
The cable length	3 m
Connector type	Optional

**DRAWING**

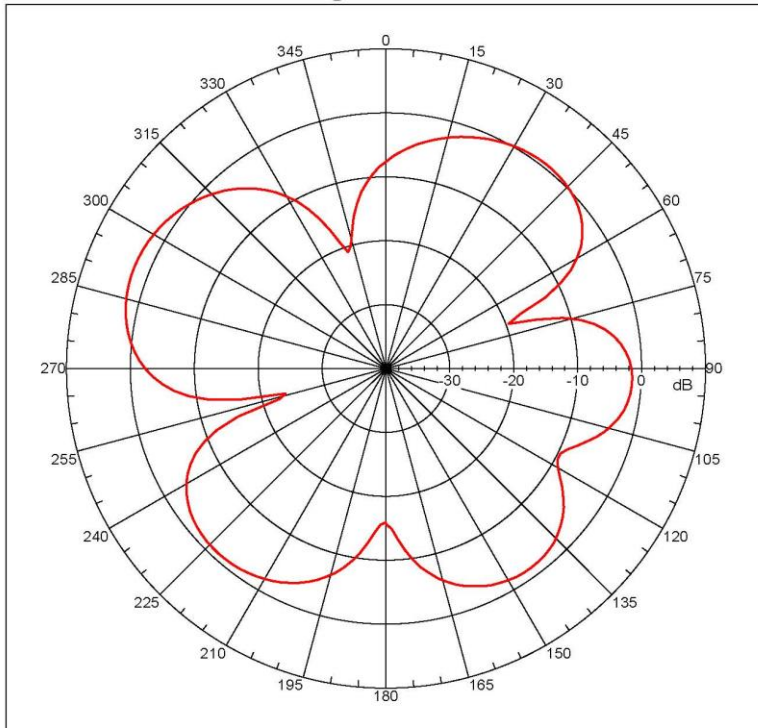


Far-field amplitude of AG-08.nsi



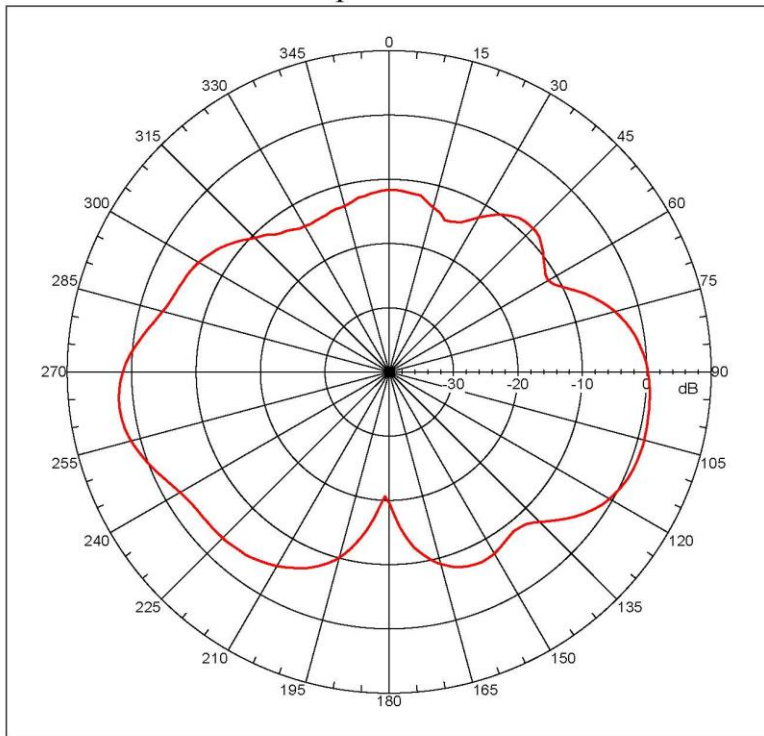
Far-field amplitude, Eprincipal: Linear, Tau = 0.000 deg  
 Gain = -0.7845 dBi  
 Max far-field (global) = -41.71016 dB, Max far-field (plot) = -41.7102 dB  
 Normalization: Reference, Network offset = 0.000 dB  
 Rpeak at: 141.99999 deg, Vpeak at: 0.000 deg  
 Plot centering: On  
 AG-08E-Plane cut scan. Feeding cable at bottom side around RJC beam covered by absorber to reduce possible coupling with AUT.  
 NSI2000 V4.0.124, Filename:C:\nsi2000\T.Y.HUS\FF-28A\AG-08.nsi  
 Measurement date/time: 5/17/2007 4:32:48 PM, Filetype: NSI-97  
 Far-field Cut Analysis:  
 Avg value: -4.846 dB  
 -3. dB beam width: 35.82 deg  
 -6. dB beam width: 48.73 deg  
 -10. dB beam width: 60.67 deg  
 Left Sidelobe: -0.96 dB at 87.486 deg  
 Right Sidelobe: Not Found  
 Far-field display setup:  
 Azimuth (deg)  
 Span = 360.00001 deg, Center = 0.000 deg, #pts = 181  
 Start = -180.00001 deg, Stop = 180.00001 deg, Delta = 2.000 deg  
 Elevation (deg)  
 Center = 0.000 deg, #pts = 1  
 Selected beam(s) 1 of 6  
 Beam Frequency Azimuth Elevation Pol  
 ---  
 1 0.880 GHz Azimuth Elevation Single-pol

Far-field amplitude of AG-08.nsi



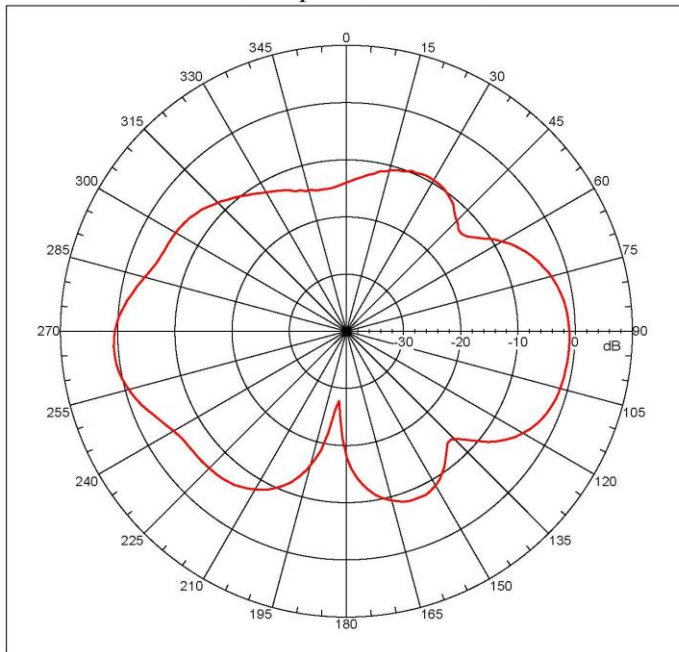
Far-field amplitude, Eprincipal: Linear, Tau = 0.000 deg  
 Gain = 2.43511 dBi  
 Max far-field (global) = -40.19456 dB, Max far-field (plot) = -40.19457 dB  
 Normalization: Reference, Network offset = 0.000 dB  
 Rpeak at: -68.000 deg, Vpeak at: 0.000 deg  
 Plot centering: On  
 AG-08E-Plane cut scan. Feeding cable at bottom side around RJC beam covered by absorber to reduce possible coupling with AUT.  
 NSI2000 V4.0.124, Filename:C:\nsi2000\T.Y.HUS\FF-28A\AG-08.nsi  
 Measurement date/time: 5/17/2007 4:32:48 PM, Filetype: NSI-97  
 Far-field Cut Analysis:  
 Avg value: -3.720 dB  
 -3. dB beam width: 39.56 deg  
 -6. dB beam width: 52.85 deg  
 -10. dB beam width: 65.24 deg  
 Left Sidelobe: -3.39 dB at -137.765 deg  
 Right Sidelobe: -1.84 dB at 39.218 deg  
 Far-field display setup:  
 Azimuth (deg)  
 Span = 360.00001 deg, Center = 0.000 deg, #pts = 181  
 Start = -180.00001 deg, Stop = 180.00001 deg, Delta = 2.000 deg  
 Elevation (deg)  
 Center = 0.000 deg, #pts = 1  
 Selected beam(s) 1 of 6  
 Beam Frequency Azimuth Elevation Pol  
 ---  
 3 0.960 GHz Azimuth Elevation Single-pol

Far-field amplitude of AG-08.nsi



Far-field amplitude, Eprincipal: Linear, Tau = 0.000 deg  
 Gain = 2.23255 dBi  
 Max far-field (global) = -44.30981 dB, Max far-field (plot) = -44.30983 dB  
 Normalization: Reference, Network offset = 0.000 dB  
 Hpeak at: -98.00001 deg, Vpeak at: 0.000 deg  
 Plot centering: On  
 AG-08E-Plane cut scan. Feeding cable at bottom side around RJC been covered by absorber to reduce possible coupling with AUT.  
 NSI2000 V4.0.124, Filename: C:\nsi2000\T.Y.HUS\FF-28A\AG-08.nsi  
 Measurement date/time: 5/17/2007 4:32:48 PM, Filetype: NSI-97  
 Far-field Cut Analysis:  
 Avg value: -5.331 dB  
 -3. dB beam width: 30.47 deg  
 -6. dB beam width: 65.56 deg  
 -10. dB beam width: 107.67 deg  
 Left sidelobe: Not Found  
 Right sidelobe: -13.91 dB at 3.017 deg  
 Far-field display setup  
 Azimuth (deg)  
 Span = 360.00001 deg, Center = 0.000 deg, #pts = 181  
 Start = -180.00001 deg, Stop = 180.00001 deg, Delta = 2.000 deg  
 Elevation (deg)  
 Center = 0.000 deg, #pts = 1  
 Selected beam(s) 1 of 6  
 Beam Frequency Azimuth Elevation Pol  
 ---  
 5 1.800 GHz Azimuth Elevation Single-pol

Far-field amplitude of AG-08.nsi



Far-field amplitude, Eprincipal: Linear, Tau = 0.000 deg  
 Gain = 0.74775 dBi  
 Max far-field (global) = -44.30258 dB, Max far-field (plot) = -44.30263 dB  
 Normalization: Reference, Network offset = 0.000 dB  
 Hpeak at: -94.00001 deg, Vpeak at: 0.000 deg  
 Plot centering: On  
 AG-08E-Plane cut scan. Feeding cable at bottom side around RJC been covered by absorber to reduce possible coupling with AUT.  
 NSI2000 V4.0.124, Filename: C:\nsi2000\T.Y.HUS\FF-28A\AG-08.nsi  
 Measurement date/time: 5/17/2007 4:32:48 PM, Filetype: NSI-97  
 Far-field Cut Analysis:  
 Avg value: -6.658 dB  
 -3. dB beam width: 31.71 deg  
 -6. dB beam width: 55.67 deg  
 -10. dB beam width: 113.54 deg  
 Left sidelobe: Not Found  
 Right sidelobe: -13.17 dB at 29.162 deg  
 Far-field display setup  
 Azimuth (deg)  
 Span = 360.00001 deg, Center = 0.000 deg, #pts = 181  
 Start = -180.00001 deg, Stop = 180.00001 deg, Delta = 2.000 deg  
 Elevation (deg)  
 Center = 0.000 deg, #pts = 1  
 Selected beam(s) 1 of 6  
 Beam Frequency Azimuth Elevation Pol  
 ---  
 4 1.710 GHz Azimuth Elevation Single-pol

VARIANT	PART NUMBER
Antenna GSM Adhesive 25/open, 2.5dBi, RG174/3m	AO-AGSM-SA1
Antenna GSM Adhesive 25, 2.5dBi, MMCX(m)R/A, RG174 2m	AO-AGSM-SA1C
Antenna GSM Adhesive 25, 2.5dBi, FME(f), RG174/3m	AO-AGSM-SA1F
Antenna GSM Adhesive 25, 2.5dBi, MCX(m)R/A, RG174/40cm	AO-AGSM-SA1M
Antenna GSM Adhesive 25, 2.5dBi, SMA(m), RG174U/3m	AO-AGSM-SA1S

## CONTACTS

SECTRON s.r.o. Josefa Šavla 1271/12  
709 00 Ostrava 9, Czech Republic

WWW.SECTRON.CZ  
Tel.: +420 556 621 021