



## GSM/UMTS ANTENNA

Antenna GSM/UMTS Stick  
90°/180°, Penta-band, 2 dBi,  
SMA(m)

AO-AGSM-SMAK

SECTRON company offers a wide portfolio of GSM antennas with various versions differing in shape, level of gain and manner of attachment. SECTRON guarantees a compatible connection between an antenna and all antenna adaptors produced by SECTRON.

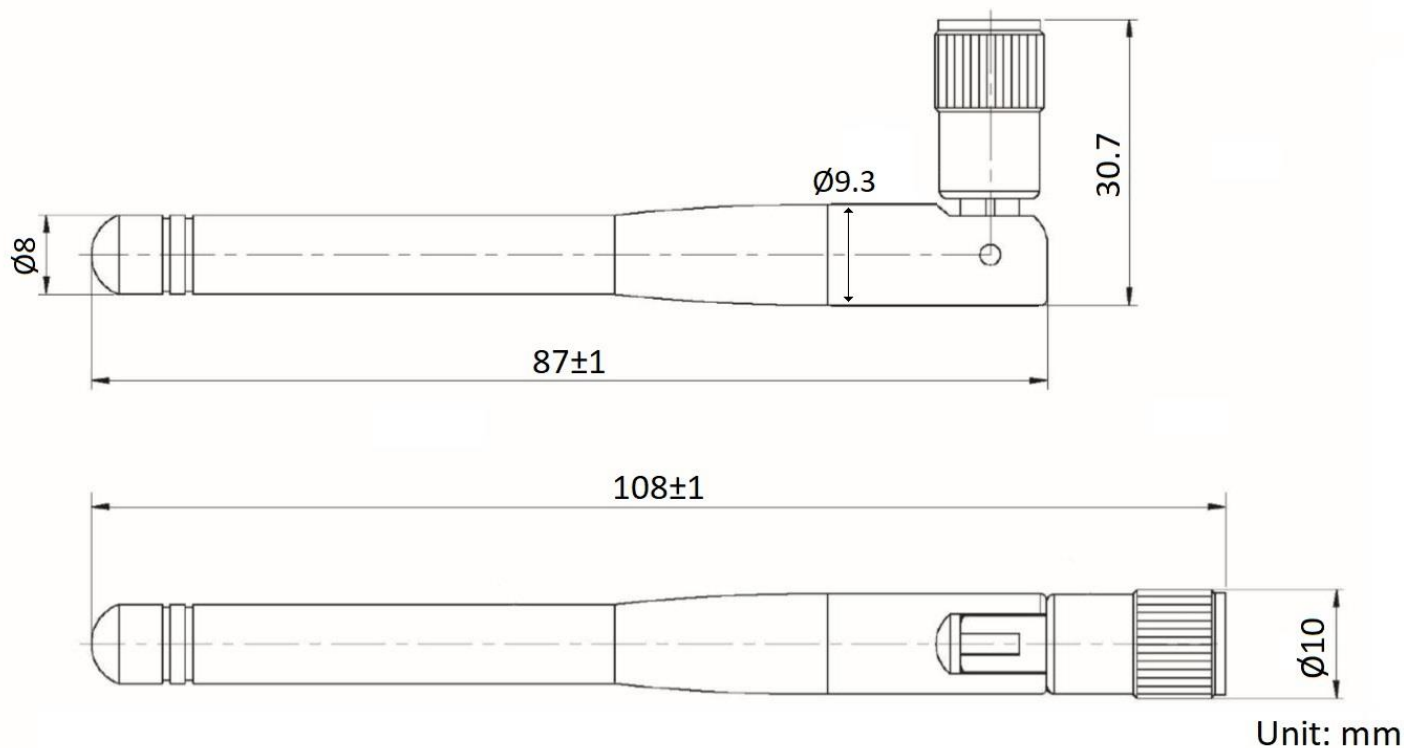


### BENEFITS

- Low VSWR
- Adjustable angle
- No cable required

Technology	GSM/UMTS
Frequency bands	800/900/1800/1900/2100 MHz
Bandwidth	-
Gain	2 dBi
VSWR	<1.8:1
Impedance	50 Ohm
Directivity	Omnidirectional
Beam angle	H 360° V 30°
Polarization	Linear
Maximum input power	10 W
Power voltage	-
Dimensions	90°: 87 x 30.7 x 10; 180°: 108 x 10 Ø mm
Weight	9.56 g
Operating temperature	-30 to + 90 °C
Execution	External
Method of attachment	Stick
Cable type	-
The cable length	-
Connector type	SMA(m)

## DRAWING



## CONTACTS