



# GSM ANTENNA

Antenna GSM YAGI 120, Screw Mount  
12 dBi, SMA(m), RG58/10m

AO-AGSM-YASS

SECTRON company offers a wide portfolio of GSM antennas with various versions differing in shape, level of gain and manner of attachment. SECTRON guarantees a compatible connection between an antenna and all antenna adaptors produced by SECTRON.

## BENEFITS

- Low VSWR
- Directional – greater reach
- High gain

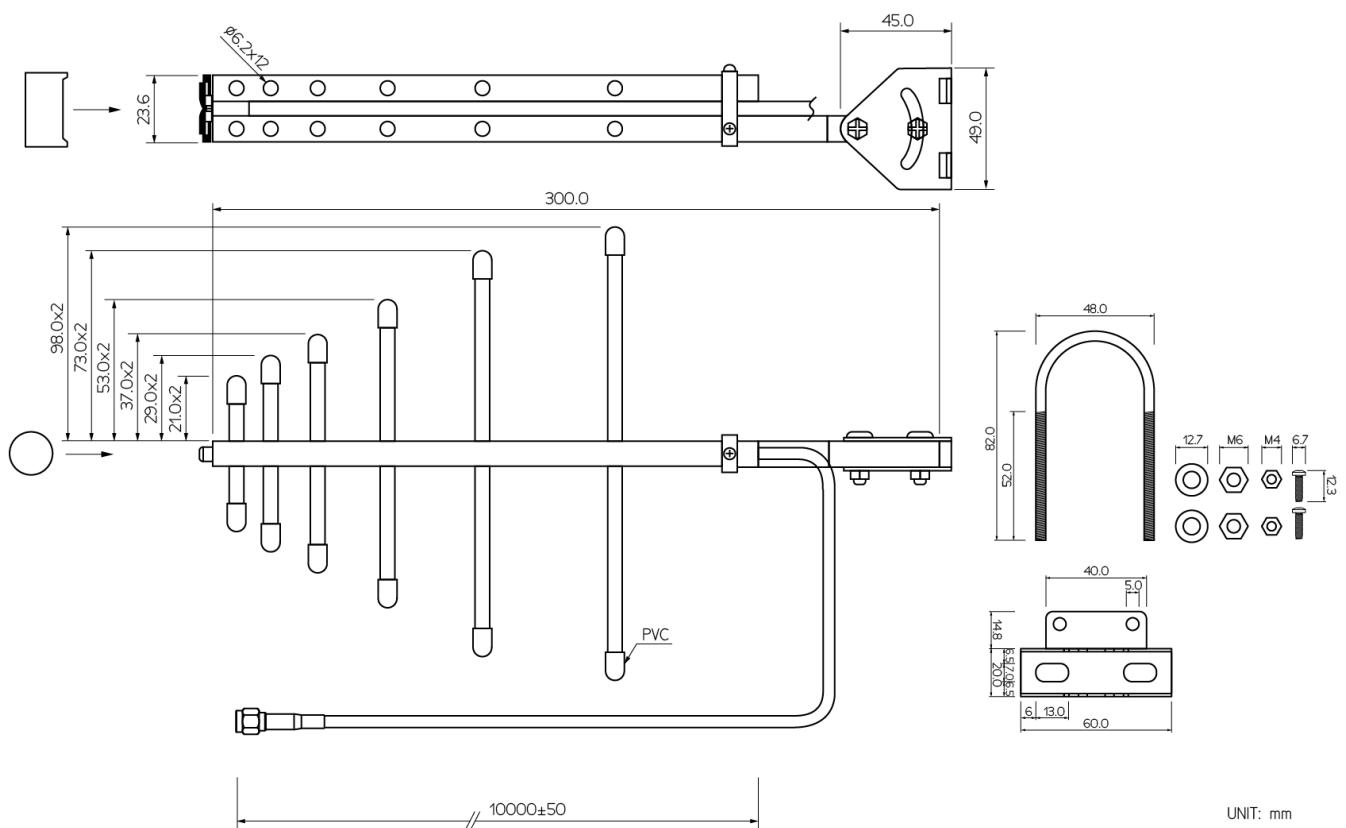


## FEATURES

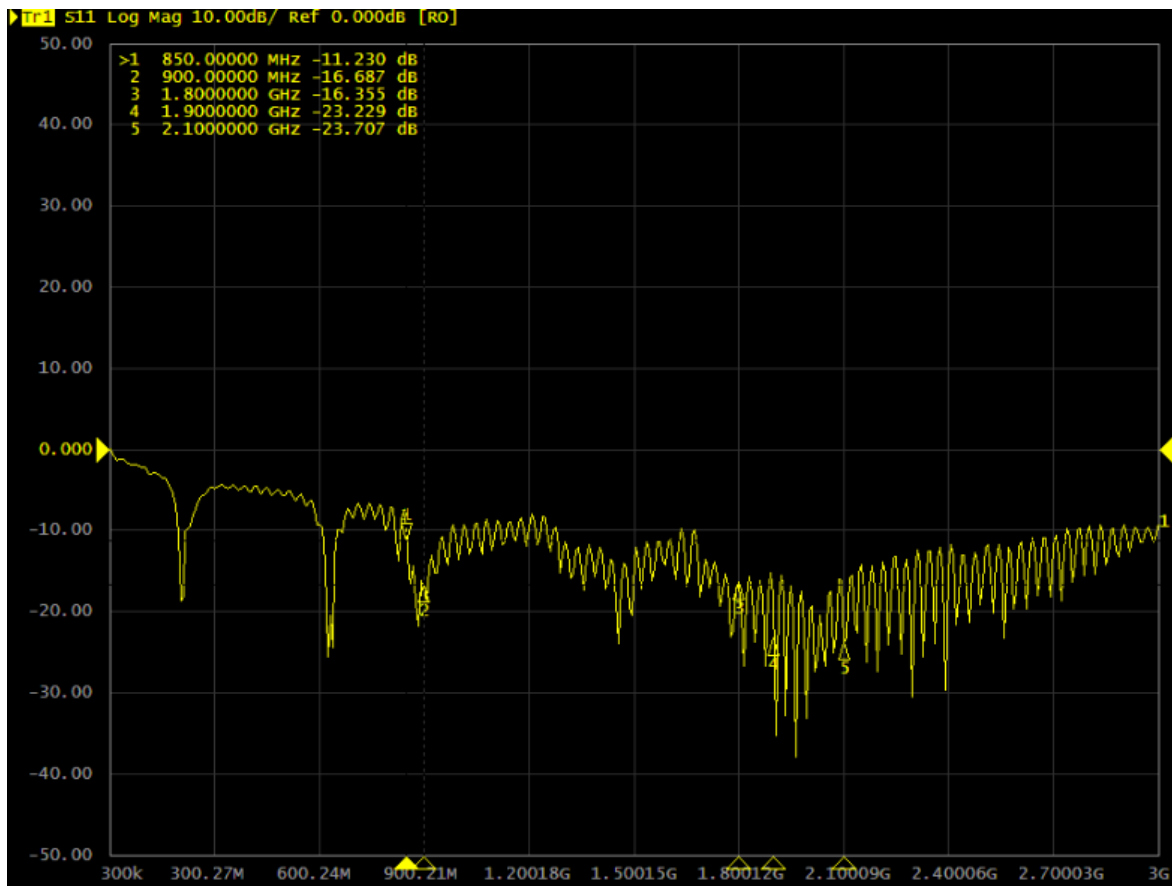
## AO-AGSM-YASS

Technology	GSM
Frequency bands	850/900/1800/1900/2100 MHz
Bandwidth	-
Gain	12 dBi
VSWR	<1.34:1
Impedance	50 Ohm
Directivity	Directional
Beam angle	H 30° V 30°
Polarization	Linear
Maximum input power	10 W
Power voltage	-
Dimensions	300 x 196 x 49 mm
Weight	678.34 g
Operating temperature	-30 to +80 °C
Execution	External
Method of attachment	Screw Mount
Cable type	RG58/U
The cable length	10 m
Connector type	SMA(m)
Certification	RoHS

## DRAWING



$S_{11}$  - Return Loss [dB]



VSWR – Voltage standing wave ratio [-]



Frequency [MHz]	$S_{11}$ [dB]	VSWR [-]	Gain [dBi]	Efficiency [%]
850	-23,46	1,15	5,93	73,79
900	-19,98	1,22	5,56	73,96
950	-16,94	1,34	4,68	64,86
1700	-21,07	1,20	6,74	74,47
1800	-19,15	1,24	5,77	62,09
1900	-19,55	1,24	3,1	43,85
2100	-20,64	1,20	4,61	54,58

Different connector variants or cable lengths are available on request.

SECTRON s.r.o. Josefa Šavla 1271/12  
709 00 Ostrava 9, Czech Republic

WWW.SECTRON.CZ  
Tel.: +420 556 621 020