



GSM/GPS ANTENNA

Antenna GSM/GPS

Adhesive PUK, RG174/5m,
open end

AO-AKOM-30

SECTRON company offers a wide portfolio of GSM/GPS antennas with various versions differing in shape, level of gain and manner of attachment. SECTRON guarantees a compatible connection between an antenna and all antenna adaptors produced by SECTRON.

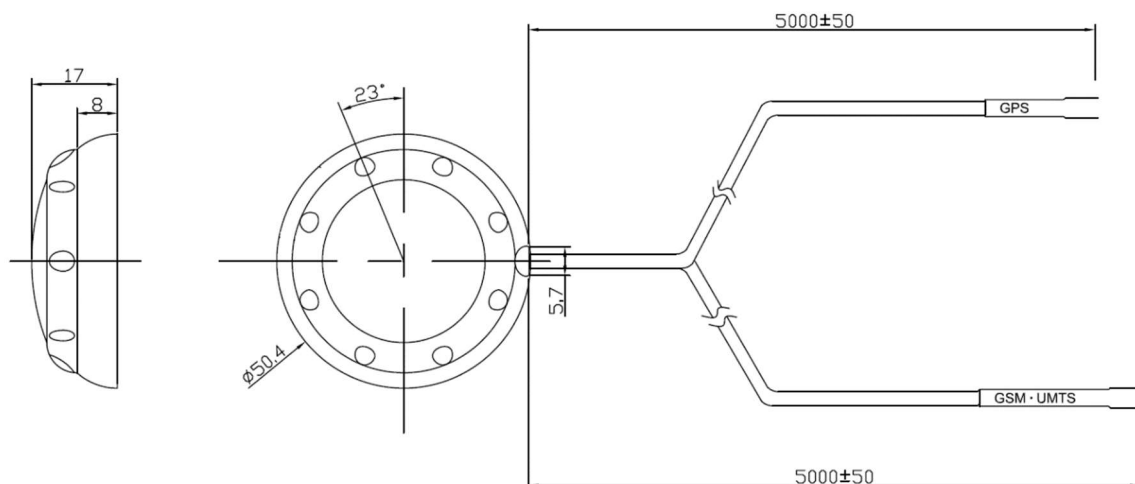


BENEFITS

- Low VSWR
- Easy installation

| | |
|-----------------------|---------------------------|
| Technology | GSM/GPS |
| Frequency bands | 900/1800/2100/1575.42 MHz |
| Bandwidth | - |
| Gain | 0/30 dBi |
| VSWR | <2.0:1 |
| Impedance | 50 Ohm |
| Directivity | Omnidirectional |
| Beam angle | H-360°, V-30° |
| Polarization | Linear/R.H.C.P |
| Maximum input power | 10 W |
| Power voltage | - |
| Dimensions | 50.4 x 17 mm |
| Weight | 158.75 g |
| Operating temperature | -30 to +90 °C |
| Execution | External |
| Method of attachment | Adhesive |
| Cable type | 2 x RG174/U |
| The cable length | 2 x 5 m |
| Connector type | 2 x open end |

DRAWING



Different connector variants or cable lengths are available on request.