



GSM/GPS ANTENNA

Antenna GSM/GPS Adhesive PUK, FAKRA C/D, RG174/3m

AO-AKOM-30AA

SECTRON company offers a wide portfolio of GSM/GPS antennas with various versions differing in shape, level of gain and manner of attachment. SECTRON guarantees a compatible connection between an antenna and all antenna adaptors produced by SECTRON.

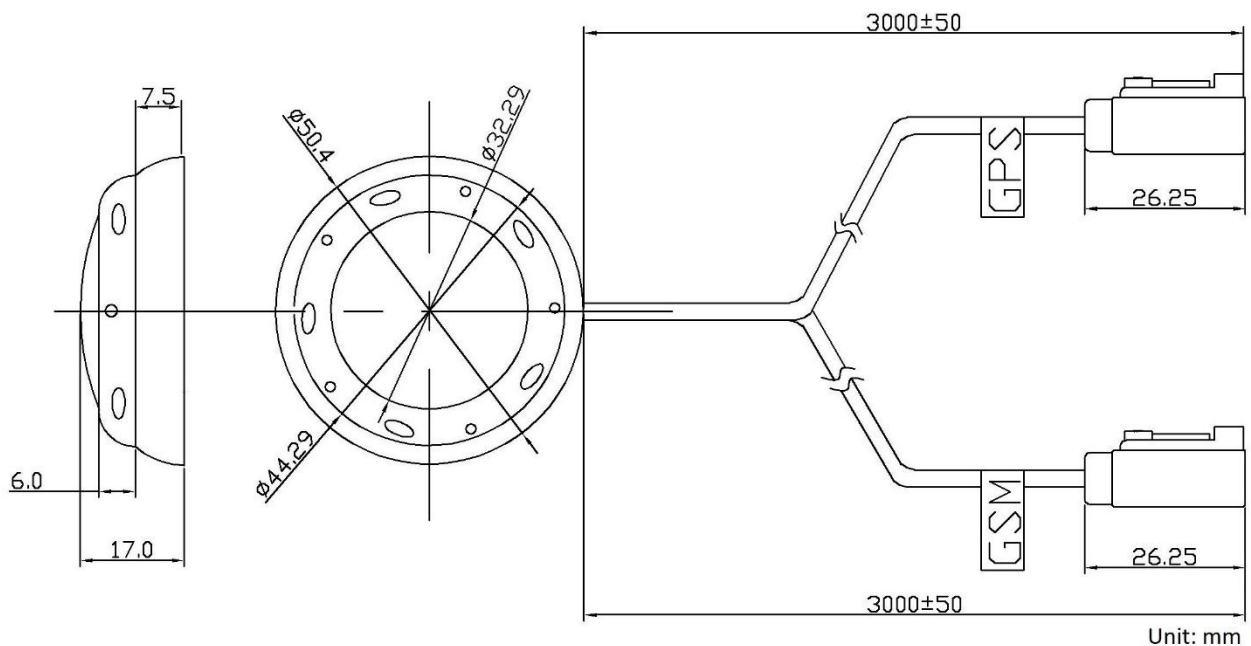


BENEFITS

- Easy installation
- High LNA gain
- Anti-vandal design

| | |
|-----------------------|---------------------------|
| Technology | GSM/GPS |
| Frequency bands | 900/1800/2100/1575.42 MHz |
| Bandwidth | - |
| Gain | 0 dBi |
| LNA Gain | 30 dBi |
| VSWR | <2.0:1 |
| Impedance | 50 Ohm |
| Directivity | Omnidirectional |
| Beam angle | H 360° V 30° |
| Polarization | Linear |
| Maximum input power | 10 W |
| Power voltage | - |
| Dimensions | Ø50.4 x 17 mm |
| Weight | 162.75 g |
| Operating temperature | -30 to +90 °C |
| Execution | External |
| Method of attachment | Adhesive |
| Cable type | RG174/U |
| The cable length | 3 m |
| Connector type | Fakra (f) D, Fakra (f) C |
| Certification | ISO 9001, ISO 14001 |

DRAWING



Different connector variants or cable lengths are available on request.