



GSM/GPS ANTENNA

Antenna GSM/GPS Adhesive R30,
SMB(f)/SMA(m), 2x SC-174/5m

AO-AKOM-30BS-SC174

SECTRON company offers a wide portfolio of GSM/GPS antennas with various versions differing in shape, level of gain and manner of attachment. SECTRON guarantees a compatible connection between an antenna and all antenna adaptors produced by SECTRON.

BENEFITS

- Low VSWR
- High Gain
- Easy installation

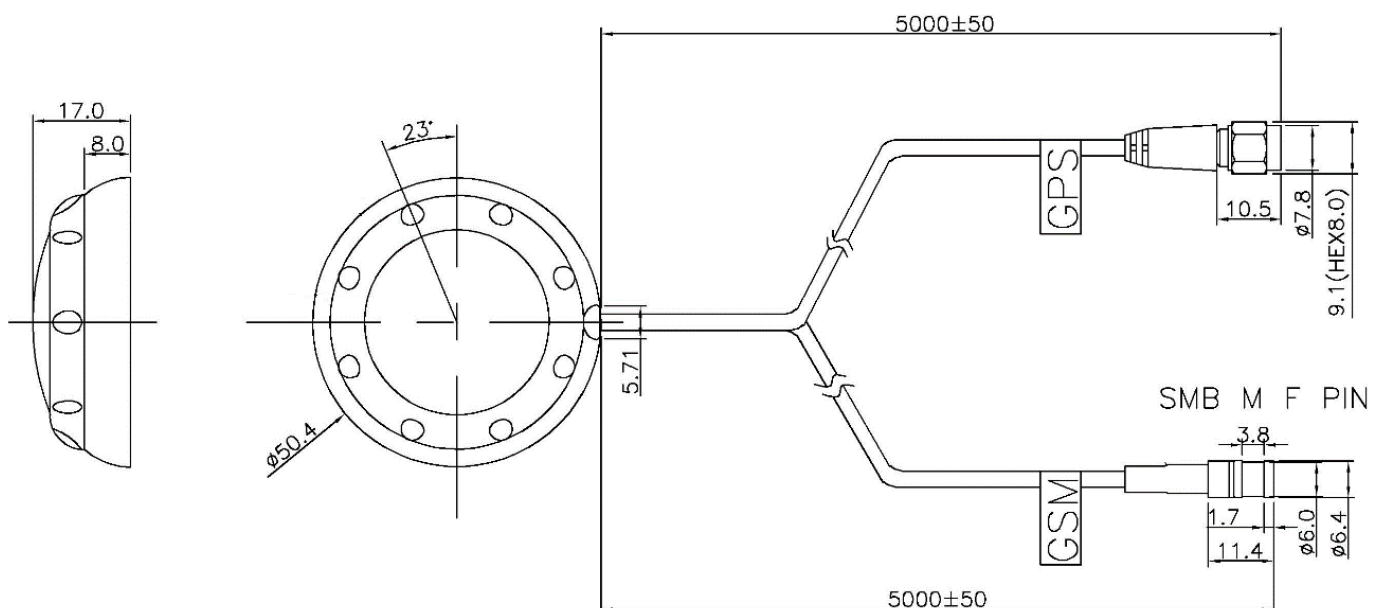


FEATURES

AO-AKOM-30BS-SC174

Technology	GSM/GPS
Frequency bands	900/1800/2100/1575.42 MHz
Bandwidth	-
Gain	0 dBi
LNA Gain	30 dBi
VSWR	<2.0:1
Impedance	50 Ohm
Directivity	Omnidirectional
Beam angle	H 360° V 30°
Polarization	Linear/R.H.C.P
Maximum input power	10 W
Power voltage	-
Dimensions	50.4 x 17 mm
Weight	133.41 g
Operating temperature	-30 to +90 °C °C
Execution	External
Method of attachment	Adhesive
Cable type	2x SC-174
The cable length	2 x 5 m
Connector type	SMB(f)/SMA(m)

DRAWING



Different connector variants or cable lengths are available on request.

CONTACTS

SECTRON s.r.o. Josefa Šavla 1271/12
709 00 Ostrava 9, Czech Republic

WWW.SECTRON.CZ
Tel.: +420 556 621 020