



GSM/GPS ANTENNA

Antenna GSM/GPS Adhesive PUK,
GSM/SMA-RP (f pin), GPS/SMA(m),
RG174/5m

AO-AKOM-30SSRP

SECTRON company offers a wide portfolio of GSM/GPS antennas with various versions differing in shape, level of gain and manner of attachment. SECTRON guarantees a compatible connection between an antenna and all antenna adaptors produced by SECTRON.

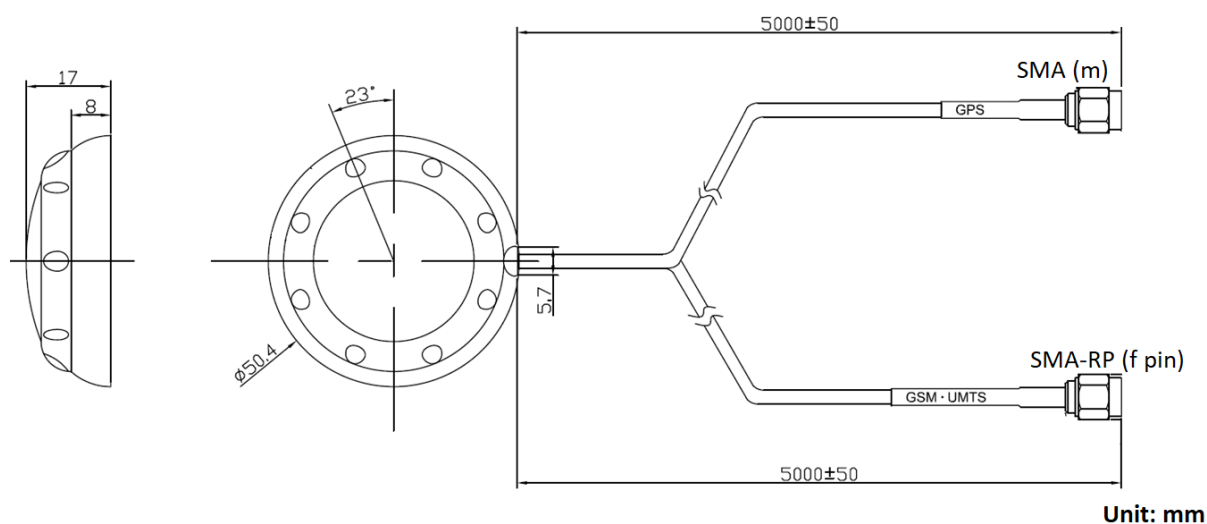


BENEFITS

- Low VSWR
- Easy installation

Technology	GSM/GPS
Frequency bands	900/1800/2100/1575.42 MHz
Bandwidth	-
Gain	0/30 dBi
VSWR	<2.0:1
Impedance	50 Ohm
Directivity	Omnidirectional
Beam angle	H-360°, V-30°
Polarization	Linear/R.H.C.P
Maximum input power	10 W
Power voltage	-
Dimensions	∅ 50.4 x 17 mm
Weight	138.52 g
Operating temperature	-30 to +90 °C
Execution	External
Method of attachment	Adhesive
Cable type	2 x RG174/U
The cable length	2 x 5 m
Connector type	SMA-RP(f pin)/SMA(m)

DRAWING



ALL VARIANTS

Different connector variants or cable lengths are available on request.

CONTACTS