



GSM/GPS ANTENNA

GSM/GPS Antenna Mounting SHARK,
RG174/RG174, 5m/5m, FME(f)/SMA(m)

AO-AKOM-31FS

SECTRON company offers a wide portfolio of GSM/GPS antennas with various versions differing in shape, level of gain and manner of attachment. SECTRON guarantees a compatible connection between an antenna and all antenna adaptors produced by SECTRON.

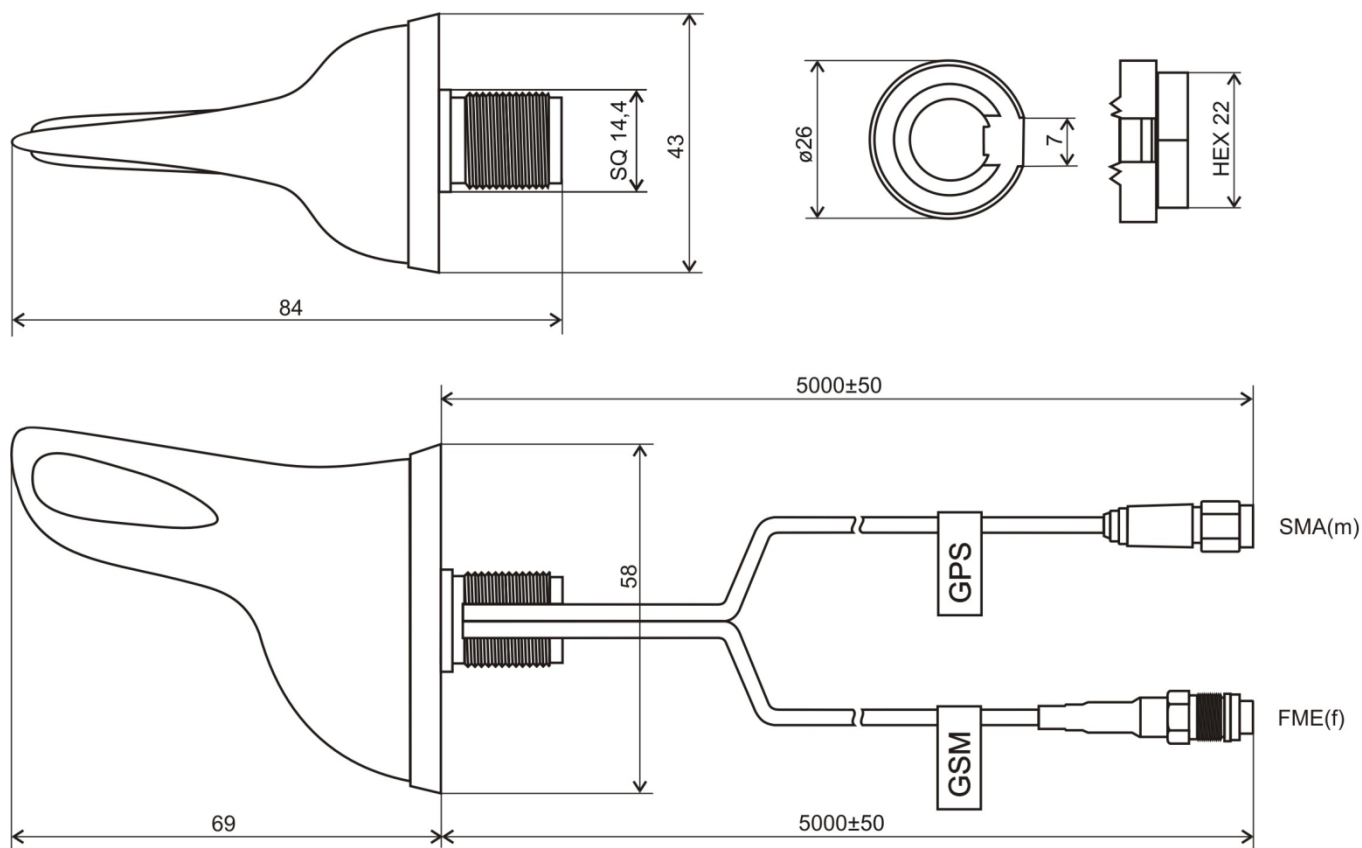


BENEFITS

- Low VSWR
- High power supply range

Technology	GPS/GSM
Frequency bands	900/1800/1900/2100/1575.42 MHz
Bandwidth	10 MHz
Gain	30/0 dBi
VSWR	<2.0:1
Impedance	50 Ohm
Directivity	Omnidirectional
Beam angle	H 360° V 30°
Polarization	Linear/R.H.C.P.
Maximum input power	10 W
Power voltage	2.7 – 5.5 V DC
Dimensions	69 x 58 x 43 mm
Weight	200.03 g
Operating temperature	-30 to +90 °C
Execution	External
Method of attachment	Connector mounting
Cable type	2 x RG174
The cable length	2 x 5 m
Connector type	SMA(m); FME(f)

DRAWING



Unit: mm

Different connector variants or cable lengths are available on request.