



## LTE/GPS ANTENNA

Antenna LTE/GPS Mounting PUCK,  
2 x RG174/3m, SMA(m)/SMA(m)

AO-AKOM-36SS

SECTRON company offers a wide portfolio of LTE/GPS antennas with various versions differing in shape, level of gain or attachment manner. SECTRON guarantees a compatible connection between an antenna and all antenna adaptors produced by SECTRON.

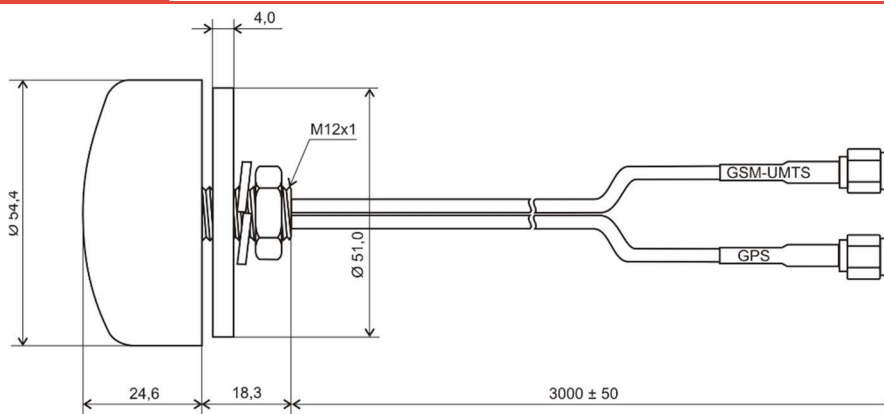


### BENEFITS

- Low VSWR
- High power supply range
- High frequency range

Technology	GSM /UMTS/LTE/GPS
Frequency bands	800/900/1700/1800/1900/2100/2600/2700/1575.42 MHz
Bandwidth	-
Gain	0/30 dBi
VSWR	<2.0:1
Impedance	50 Ohm
Directivity	Omnidirectional
Beam angle	H 360° V 30°
Polarization	Linear/R.H.C.P.
Maximum input power	10 W
Power voltage	2.7 – 5.5 V DC
Dimensions	Ø 54.4 x 24.6 mm
Weight	165 g
Operating temperature	-30 to +90 °C
Execution	External
Method of attachment	Mounting
Cable type	2 x RG174/U
The cable length	2 x 3 m
Connector type	SMA(m)/SMA(m)

DRAWING



UNIT: mm

ALL VARIANTS

Different connector variants or cable lengths are available on request.

CONTACTS

SECTRON s.r.o. Josefa Šavla 1271/12  
709 00 Ostrava 9, Czech Republic

WWW.SECTRON.CZ  
Tel.: +420 556 621 021