



LTE ANTENNA

Antenna LTE MIMO Screw Mount
R39, 4 dBi, 2x SMA(m), 2x RG174/5m

AO-ALTE-39DS5

SECTRON company offers a wide portfolio of LTE antennas with various versions differing in shape, level of gain and manner of attachment. SECTRON guarantees a compatible connection between an antenna and all antenna adaptors produced by SECTRON.

BENEFITS

- Easy installation
- Omnidirectional
- Low VSWR

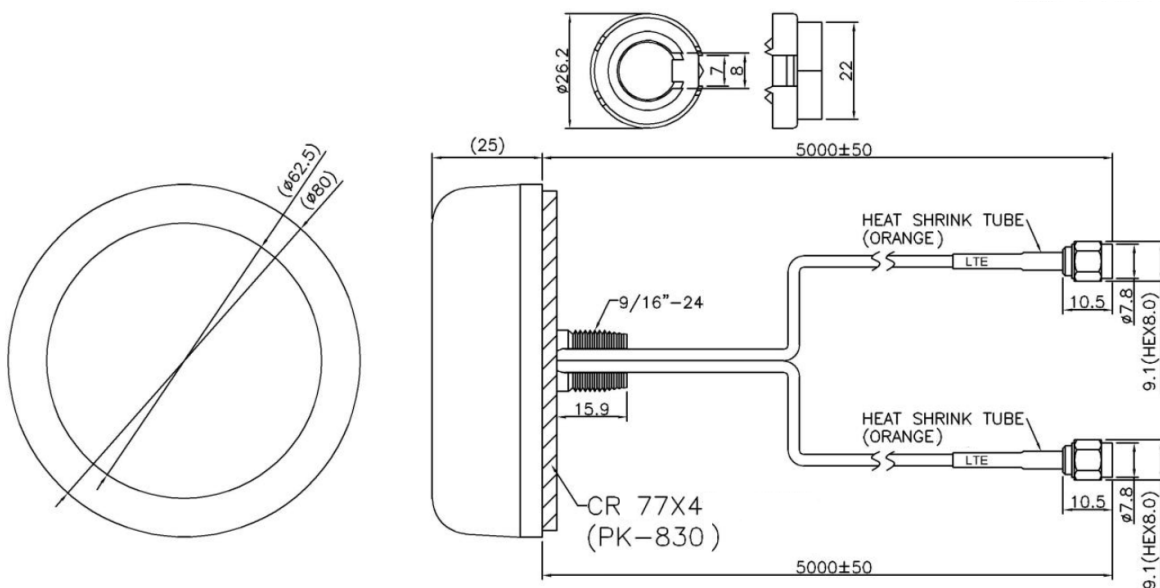


FEATURES

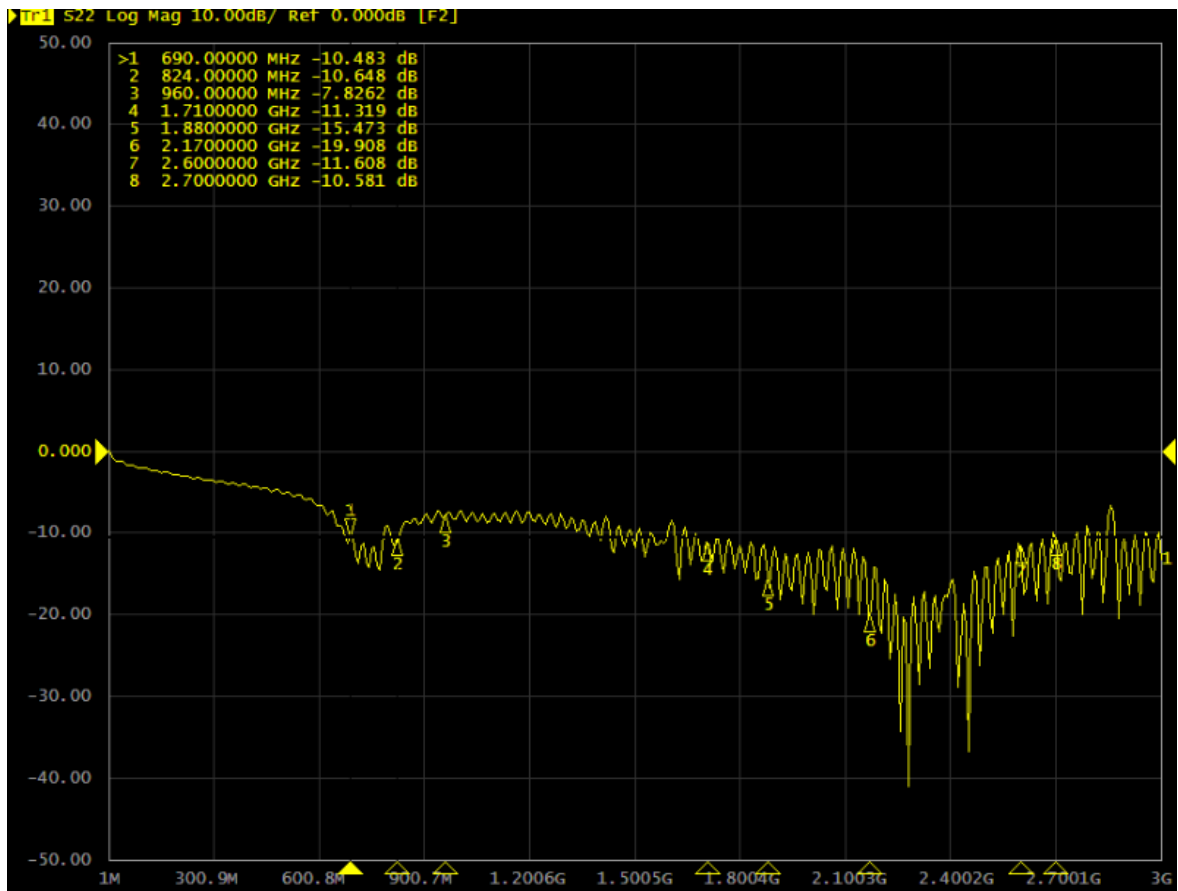
AO-ALTE-39DS5

| | |
|-----------------------|--|
| Technology | LTE |
| Frequency bands | 690/824/960/1710/1880/2170/2600/2700 MHz |
| Bandwidth | - |
| Gain | 4 dBi |
| VSWR | <2.4:1 |
| Impedance | 50 Ohm |
| Directivity | Omnidirectional |
| Beam angle | Via attached graphs |
| Polarization | Linear |
| Maximum input power | 10 W |
| Power voltage | - |
| Dimensions | ∅ 80.3 mm x 25 mm |
| Weight | 197.25 g |
| Operating temperature | -30 to +60 °C |
| Execution | External |
| Method of attachment | Screw Mount |
| Cable type | 2x RG174U |
| The cable length | 2x 5 m |
| Connector type | 2x SMA(m) |
| Certification | RoHS |

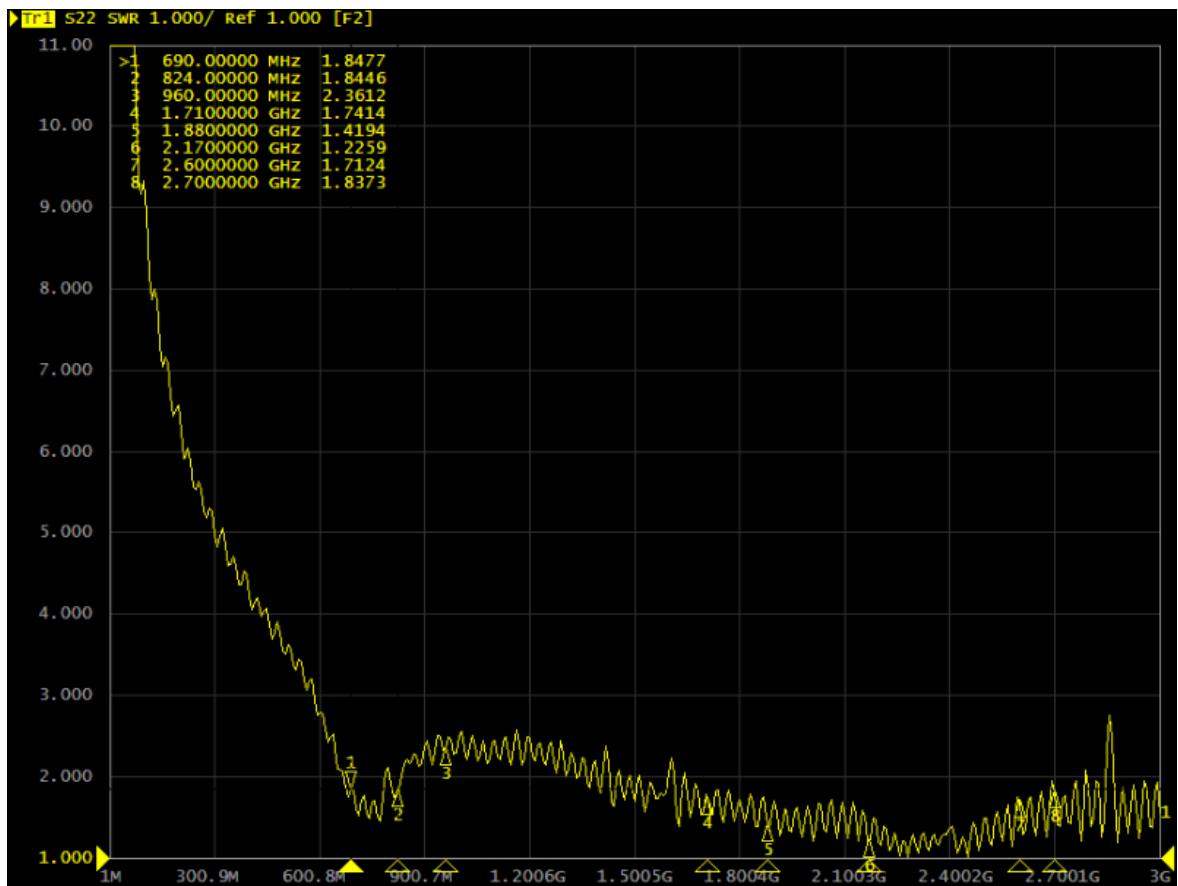
DRAWING



S_{11} - Return Loss [dB]

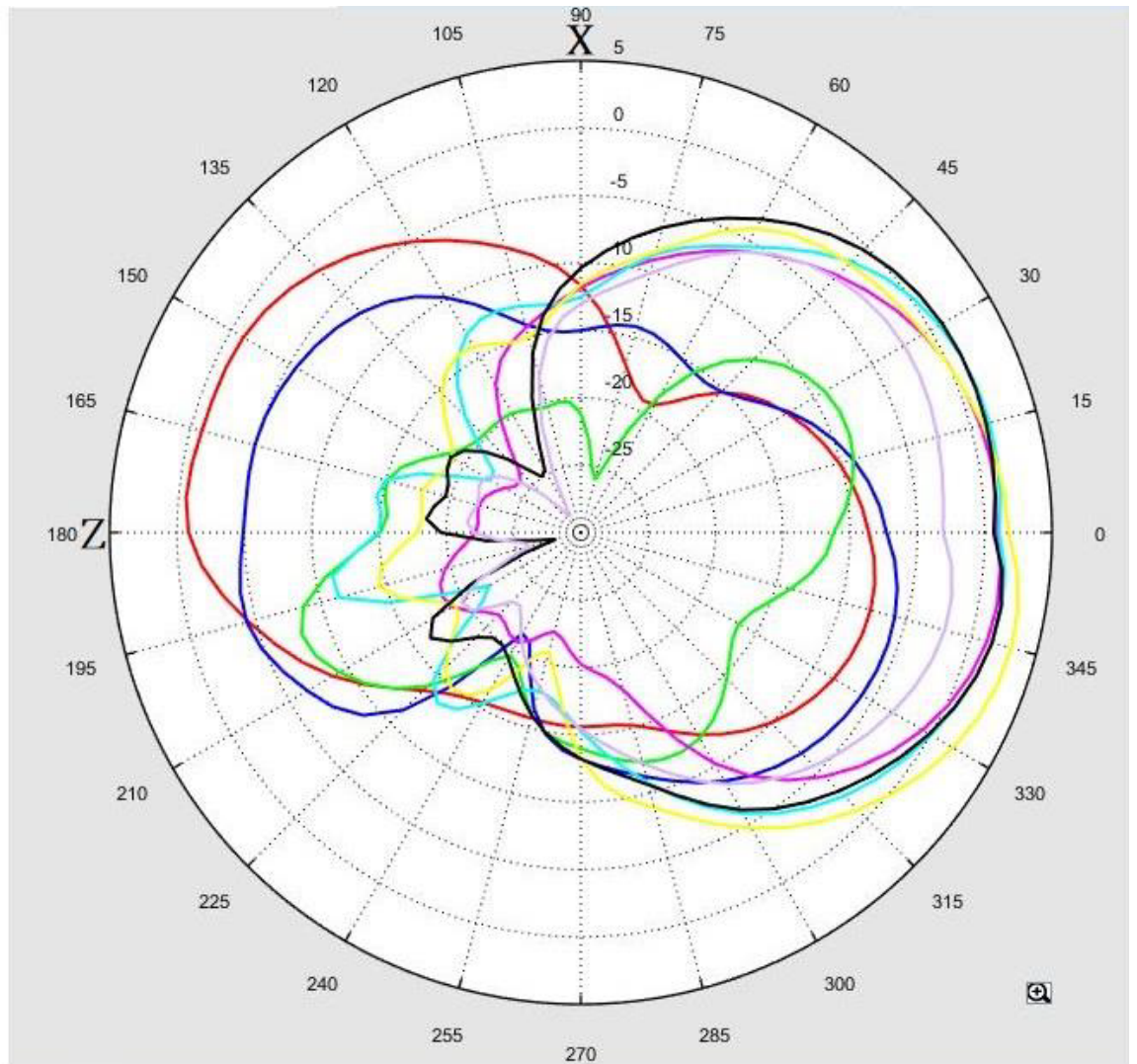


VSWR – Voltage standing wave ratio [-]



2D RADIATION PATTERN

| Freq. / Chan. | Color |
|---------------|---------|
| 690MHz | Red |
| 824MHz | Blue |
| 960MHz | Green |
| 1.71GHz | Magenta |
| 1.88GHz | Cyan |
| 2.17GHz | Yellow |
| 2.6GHz | Black |
| 2.7GHz | Purple |



| Frequency [MHz] | S_{11} [dB] | VSWR [-] | Gain [dBi] | Efficiency [%] |
|-----------------|---------------|----------|------------|----------------|
| 690 | -10.48 | 1.84 | 16.26 | -0.73 |
| 824 | -10.64 | 1.84 | 13.65 | -3.34 |
| 960 | -7.82 | 2.36 | 5.19 | -7.29 |
| 1710 | -11.31 | 1.74 | 19.14 | 1.91 |
| 1880 | -15.47 | 1.41 | 26.55 | 3.36 |
| 2170 | -19.90 | 1.22 | 32.58 | 3.15 |
| 2600 | -11.6 | 1.71 | 24.21 | 2.47 |
| 2700 | -10.58 | 1.83 | 12.11 | -0.58 |

Different connector variants or cable lengths are available on request.

SECTRON s.r.o. Josefa Šavla 1271/12
709 00 Ostrava 9, Czech Republic

WWW.SECTRON.CZ
Tel.: +420 556 621 020