



Antenna LTE

Antenna LTE Manhole, SMA(m), RG58/3m

AO-ALTE-57S

SECTRON company offers a wide portfolio of GSM/UMTS/LTE/WiFi antennas with various versions differing in shape, level of gain and manner of attachment. SECTRON guarantees a compatible connection between an antenna and all antenna adaptors produced by SECTRON.

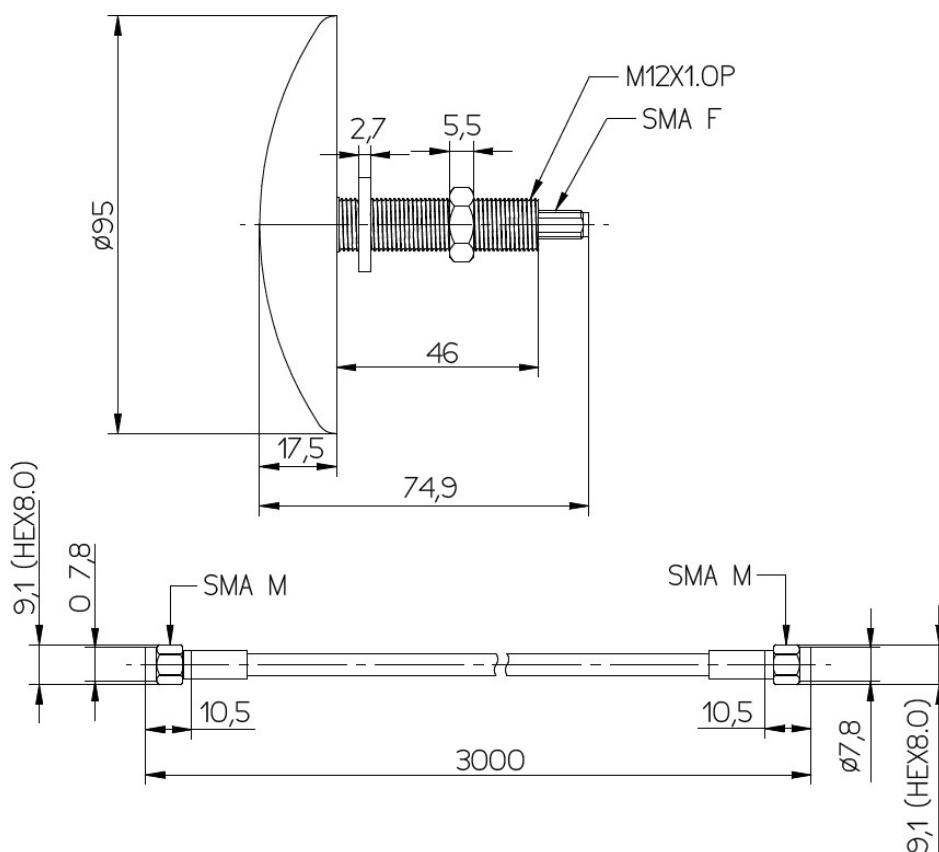


BENEFITS

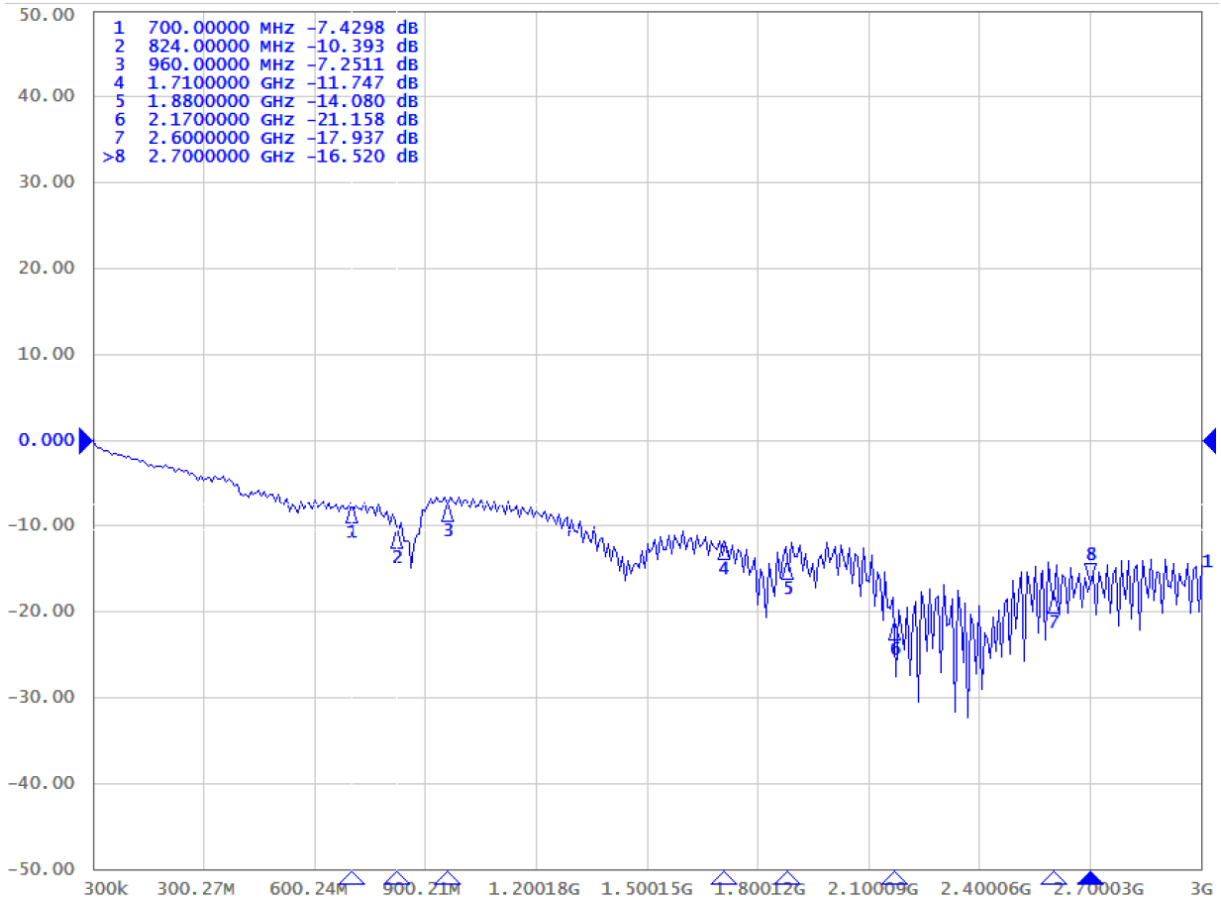
- High gain
- Easy installation
- Suitable for moving devices
- Possible variable cable extensions

Technology	GSM/UMTS/LTE/WiFi
Frequency bands	700-960/1710-2170-2700 MHz
Bandwidth	Wideband
Gain	4.3 dBi
VSWR	< 2.54:1
Impedance	50 Ohm
Directivity	Directional
Beam angle	Via attached graphs below
Polarization	Vertical
Maximum input power	10 W
Power voltage	-
Dimensions	∅ 95 x 74.9 mm
Weight	- g
Operating temperature	-30 to +75 °C
Execution	External
Method of attachment	Screw mounting
Cable type	RG58/U
The cable length	3 m
Connector type	Antenna SMA(f). cable extension SMA(m)/SMA(m)
Certification	RoHs, ISO 9001, ISO 14001

DRAWING

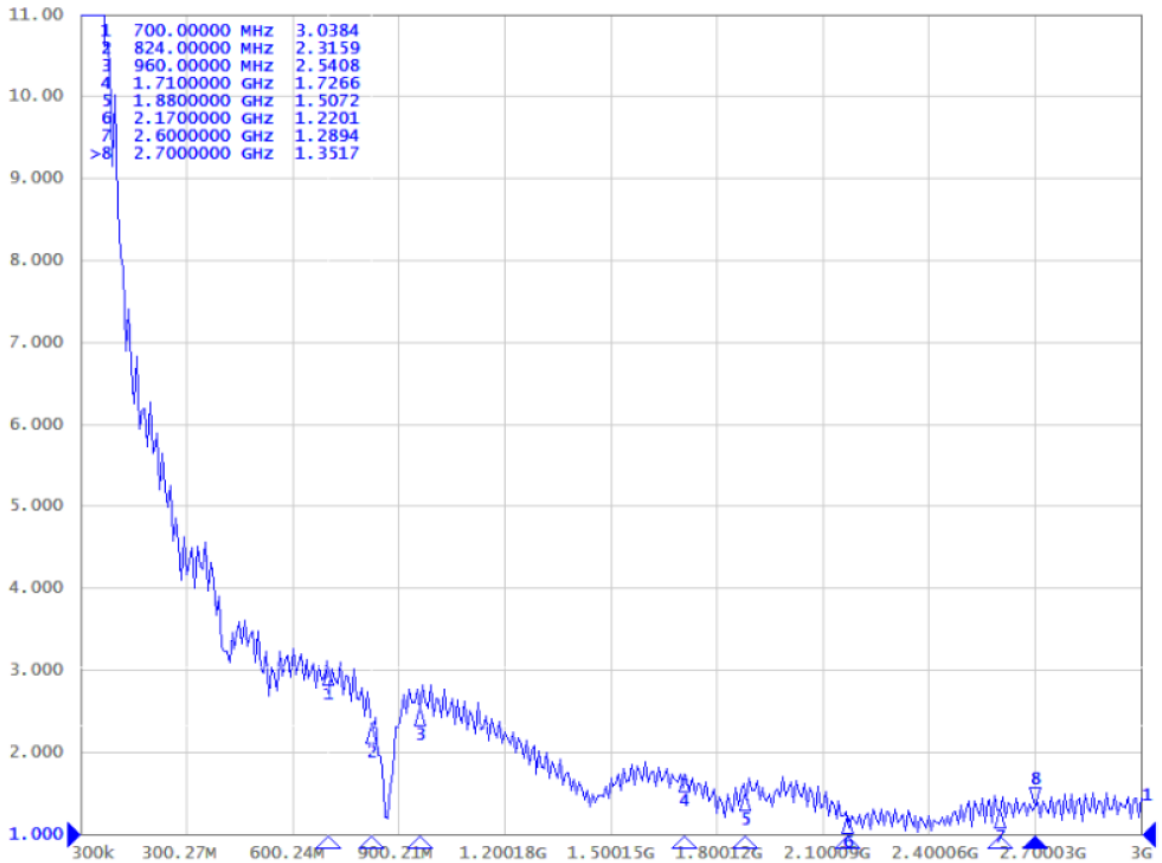


S₁₁ [dB] – RETURN LOSS

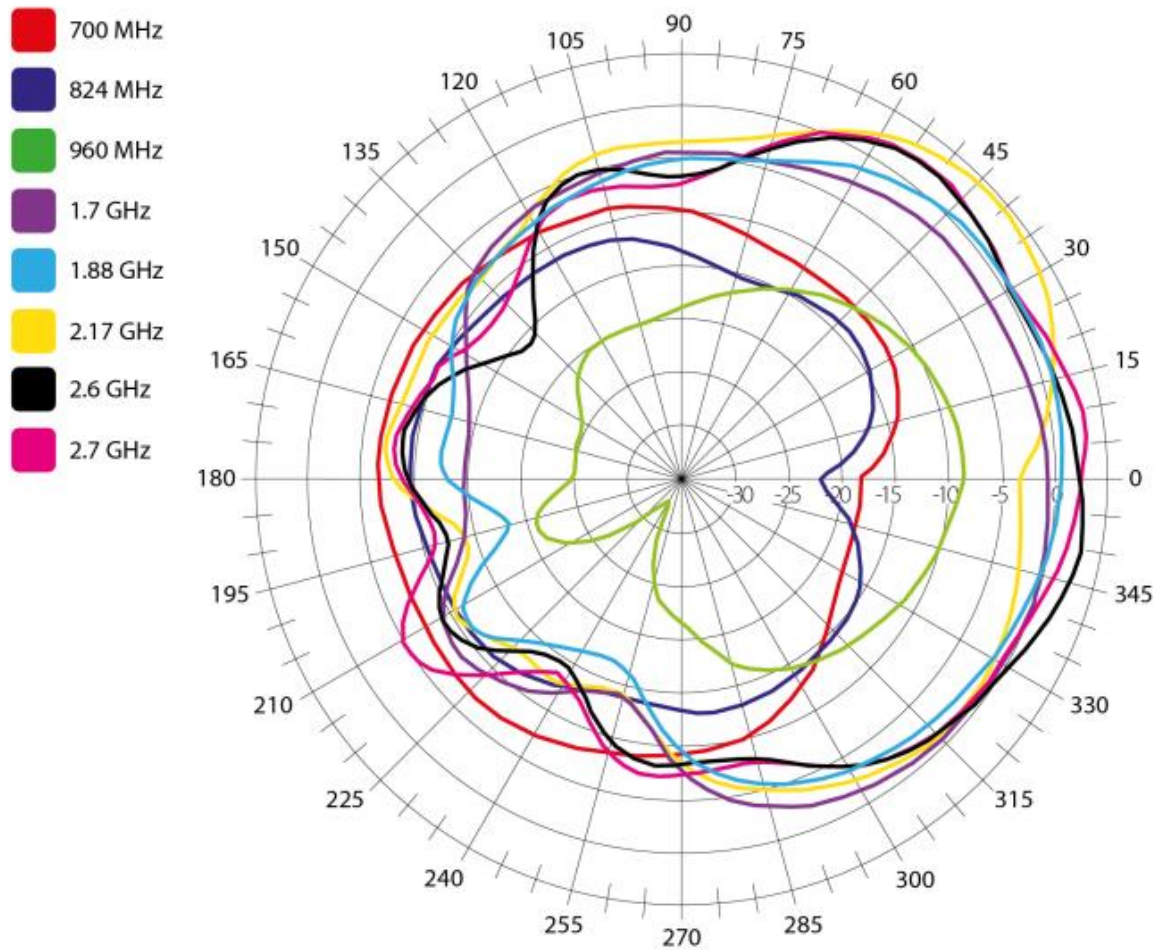


VSWR– STANDING WAVE RATIO [-]

▶ S11 SWR 1.000/ Ref 1.000 [RO]



2D RADIATION PATTERN



Frequency (MHz)	Return Loss (dB)	VSWR	Efficiency (%)	Peak Gain (dBi)
700	-7.42	3.03	11.89	-4.5
824	-10.39	2.31	7.11	-5.59
960	-7.25	2.54	2.23	-8.51
1710	-11.74	1.72	39.63	1.88
1880	-14.08	1.50	45.08	3.75
2170	-21.15	1.22	44.06	4.3
2600	-17.93	1.28	42.66	4.22
2700	-16.52	1.35	44.06	3.79

ALL VARIANTS

Different connector variants or cable lengths are available on request.

CONTACTS

SECTRON s.r.o. Josefa Šavla 1271/12
709 00 Ostrava 9, Czech Republic

WWW.SECTRON.CZ
Tel.: +420 556 621 020