



GSM/UMTS/LTE ANTENNA

Antenna GSM/UMTS/LTE
FLAT Stick 90°/180°,
690-2700 MHz, 5 dBi, SMA(m)

AO-ALTE-FSMAK3

SECTRON company offers a wide portfolio of GSM/UMTS/LTE antennas with various versions differing in shape, level of gain and manner of attachment. SECTRON guarantees a compatible connection between an antenna and all antenna adaptors produced by SECTRON.

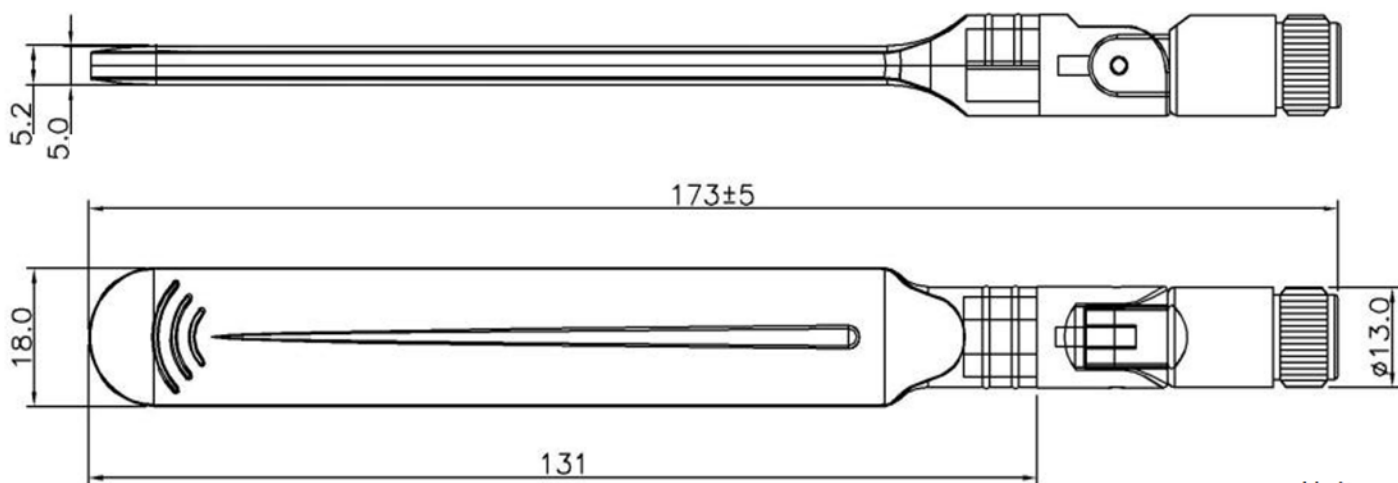


BENEFITS

- Omnidirectional - suitable for moving devices.
- Adjustable angle
- No cable required

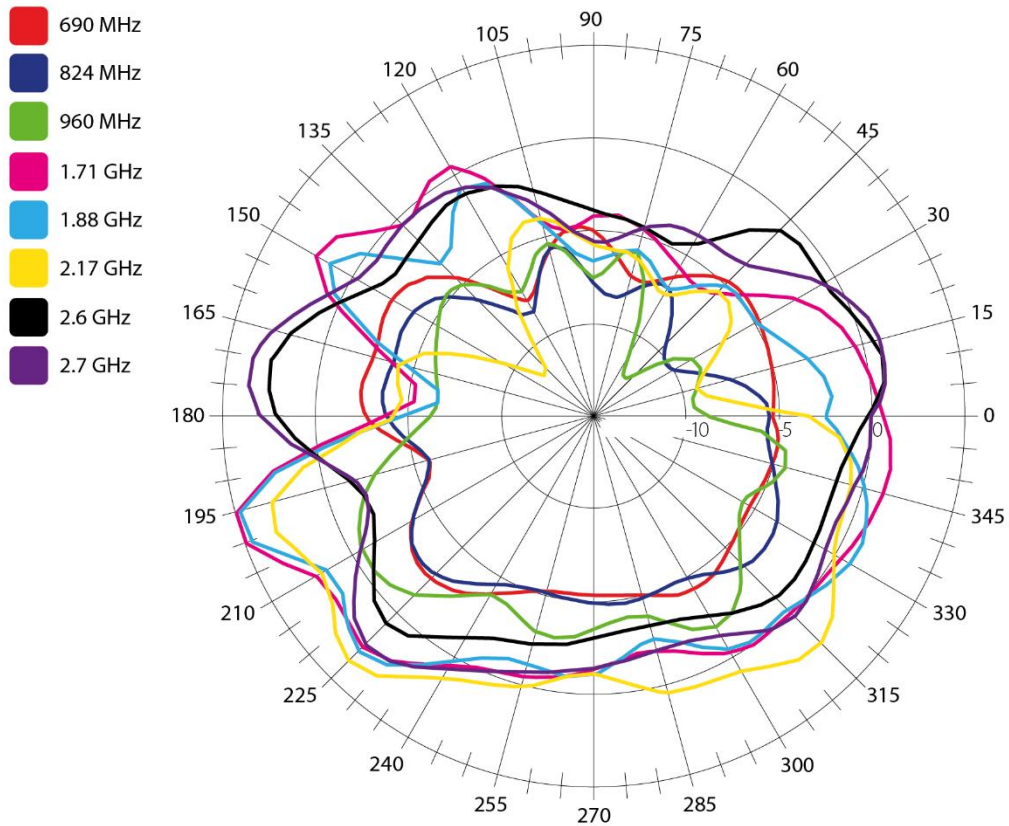
Technology	GSM/UMTS/LTE
Frequency bands	690/800/900/1800/1900/2100/2300/2400/2500/2600/2700 MHz
Bandwidth	-
Gain	5.48 dBi
VSWR	<2.0:1
Impedance	50 Ohm
Directivity	Omnidirectional
Beam angle	Via attached graphs below
Polarization	Linear
Maximum input power	10 W
Power voltage	-
Dimensions	173 x 18 mm
Weight	23 g
Operating temperature	-30°C to +90 °C
Execution	External
Method of attachment	Screw
Cable type	-
The cable length	-
Connector type	SMA(m)

DRAWING

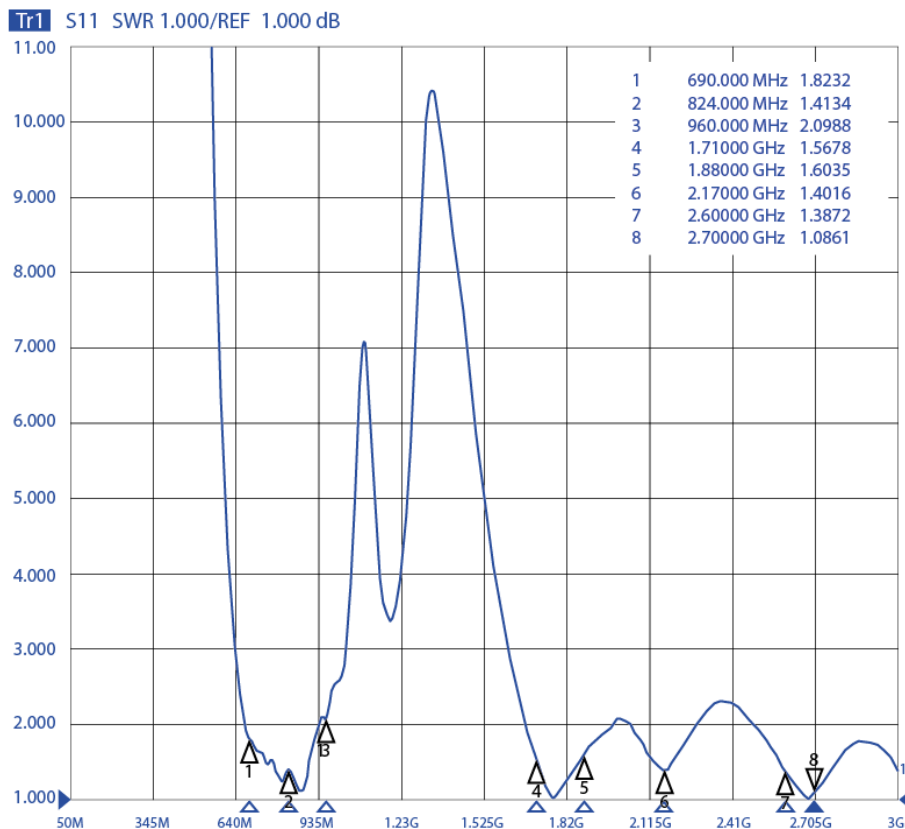


Unit: mm

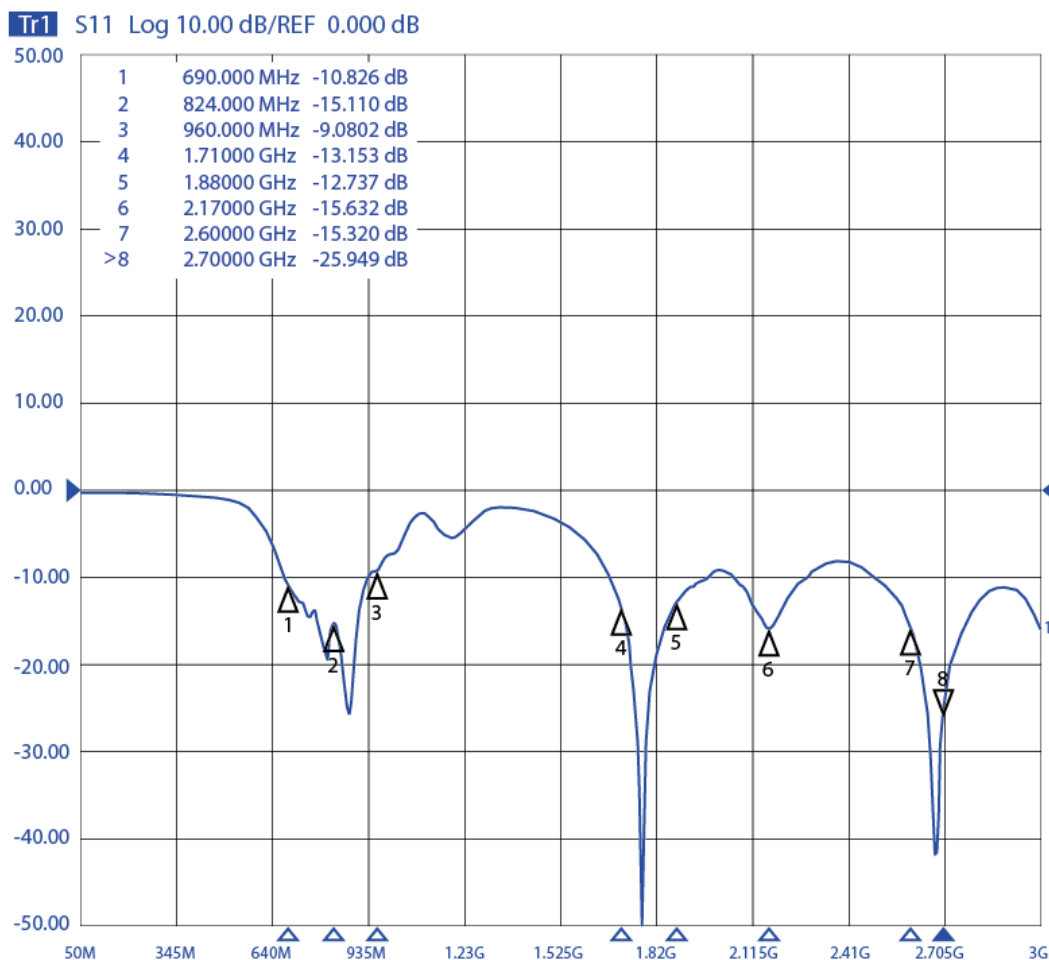
2D - Radiation pattern & Gain measurement



VSWR – Voltage standing wave ratio [50Ω]



S11 – Return loss [dB]



SUMMARY

Frequency [MHz]	Return Loss [dB]	VSWR [50 Ω]	Efficiency [%]	GAIN [dBi]
690	-10.82	1.82	36.81	-0.88
824	-15.11	2.41	31.48	-1.3
960	-9.08	2.09	36.56	0.24
1710	-13.15	1.56	83.95	5.48
1880	-12.73	1.60	74.13	5.43
2170	-15.63	1.40	68.39	3.71
2600	-15.32	1.38	76.56	3.13
2700	-25.94	1.08	83.37	3.71

CONTACTS