



LTE Antenna

Antenna LTE Mounting 046L,
2.5 dBi, SMA(m), RG174/3m,
IP67

AO-ALTE-G046LS

SECTRON company offers a wide portfolio of LTE antennas with various versions differing in shape, level of gain and manner of attachment. SECTRON guarantees a compatible connection between an antenna and all antenna adaptors produced by SECTRON.

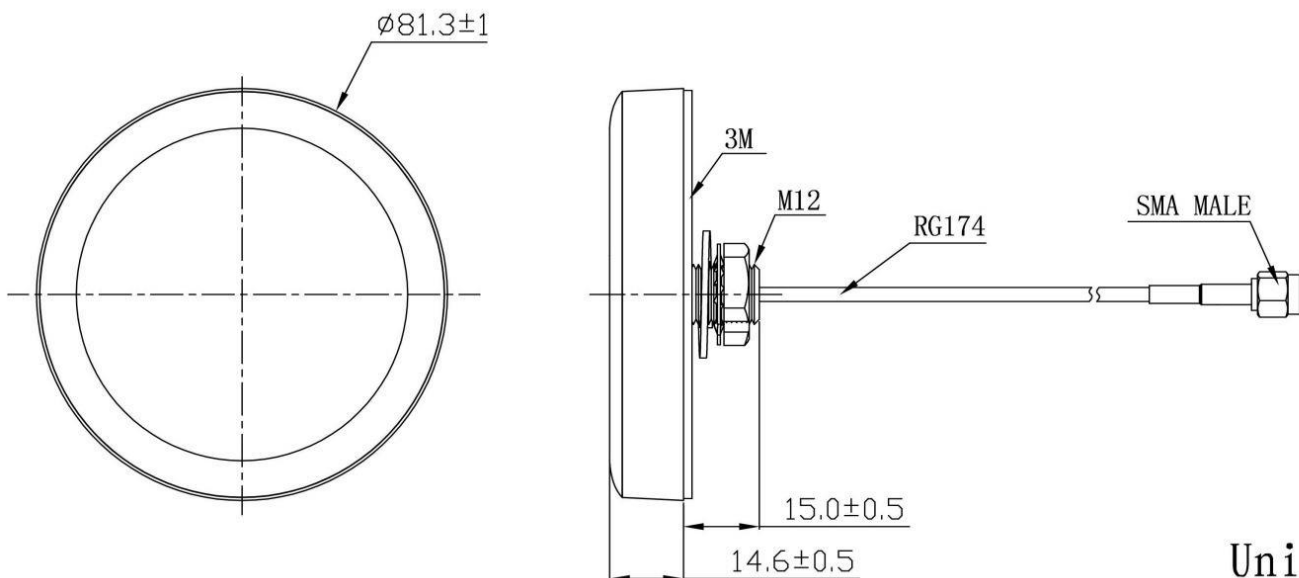


BENEFITS

- High frequency range
- High Gain
- Anti-vandal design

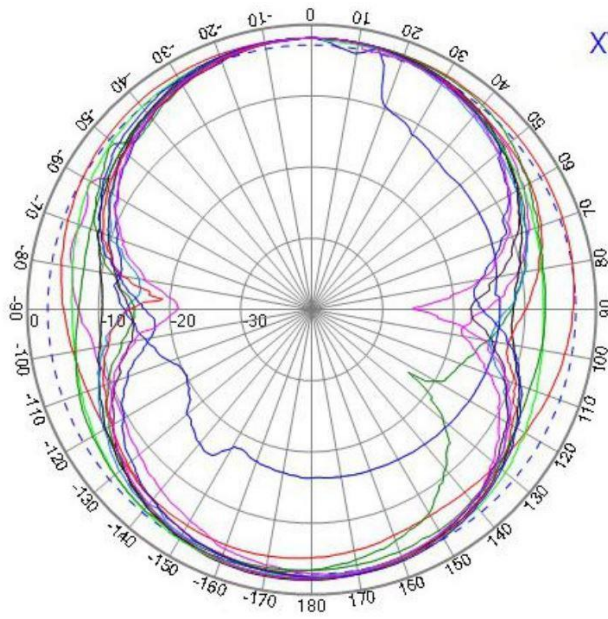
Technology	LTE
Frequency bands	700, 800, 900, 1700, 1800, 2100, 2500, 2600, 2700 MHz
Bandwidth	-
Gain	2.5 dBi
VSWR	<3.0:1
Impedance	50 Ohm
Directivity	Omnidirectional
Beam angle	H 360° V 30°
Polarization	Linear
Maximum input power	10 W
Power voltage	-
Dimensions	∅ 81.3 x 14.6 mm
Weight	46.82 g
Operating temperature	-40 to +85 °C
Execution	External
Method of attachment	Mounting
Cable type	RG174
The cable length	3 m
Connector type	SMA (m)
IP Code	IP67

DRAWING



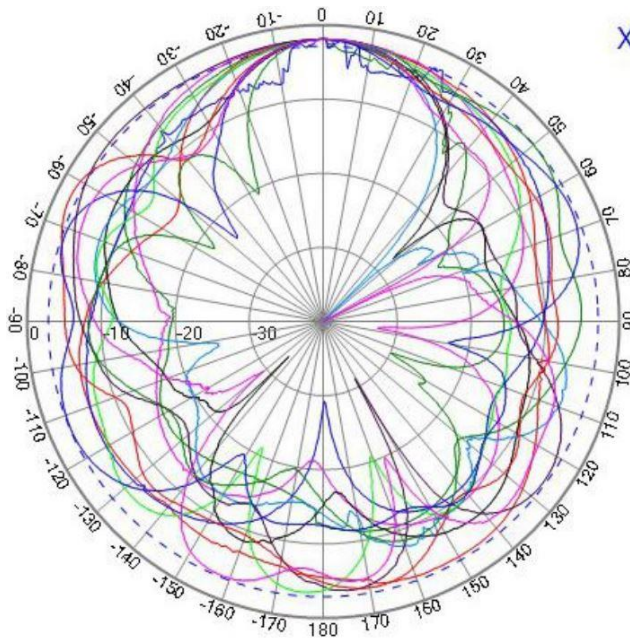
Unit: mm

XY PLANE



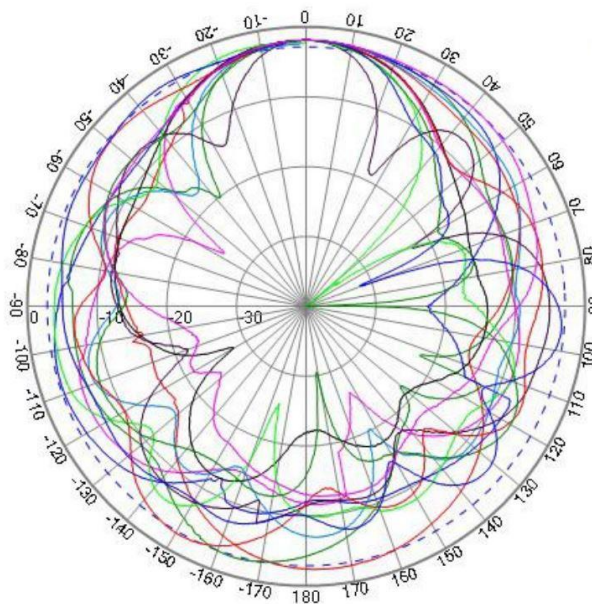
- Freq: 700
- Freq: 824
- Freq: 868
- Freq: 960
- Freq: 1710
- Freq: 1850
- Freq: 1990
- Freq: 2170
- Freq: 2300
- Freq: 2400
- Freq: 2500
- Freq: 2690

XZ PLANE



- Freq: 700
- Freq: 824
- Freq: 868
- Freq: 960
- Freq: 1710
- Freq: 1850
- Freq: 1990
- Freq: 2170
- Freq: 2300
- Freq: 2400
- Freq: 2500
- Freq: 2690

YZ PLANE



- Freq: 700
- Freq: 824
- Freq: 868
- Freq: 960
- Freq: 1710
- Freq: 1850
- Freq: 1990
- Freq: 2170
- Freq: 2300
- Freq: 2400
- Freq: 2500
- Freq: 2690

Different connector variants or cable lengths are available on request.