



## LTE ANTENNA

Antenna LTE Stick 90°/180° 196,  
5 dBi, SMA(m)

AO-ALTE-G196S

SECTRON company offers a wide portfolio of LTE antennas with various versions differing in shape, level of gain and manner of attachment. SECTRON guarantees a compatible connection between an antenna and all antenna adaptors produced by SECTRON.

### BENEFITS

- Low VSWR
- High gain
- Optimized radiation pattern

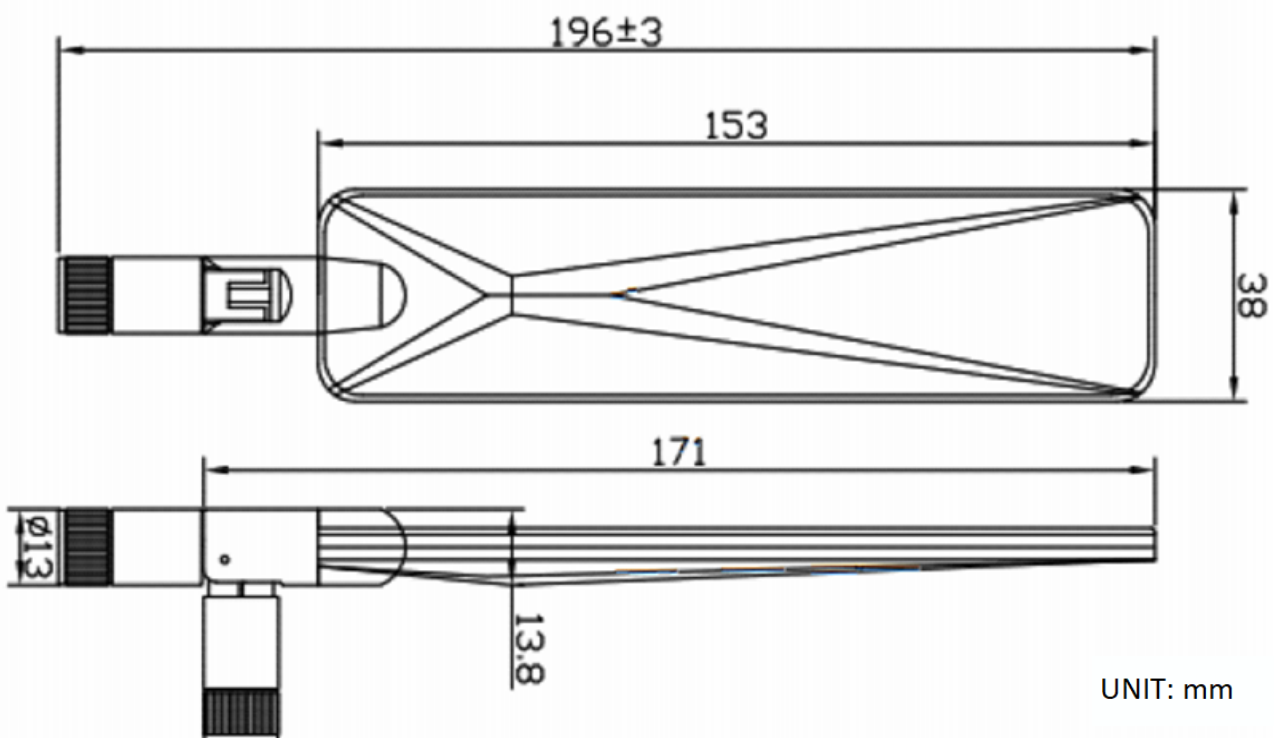


## FEATURES

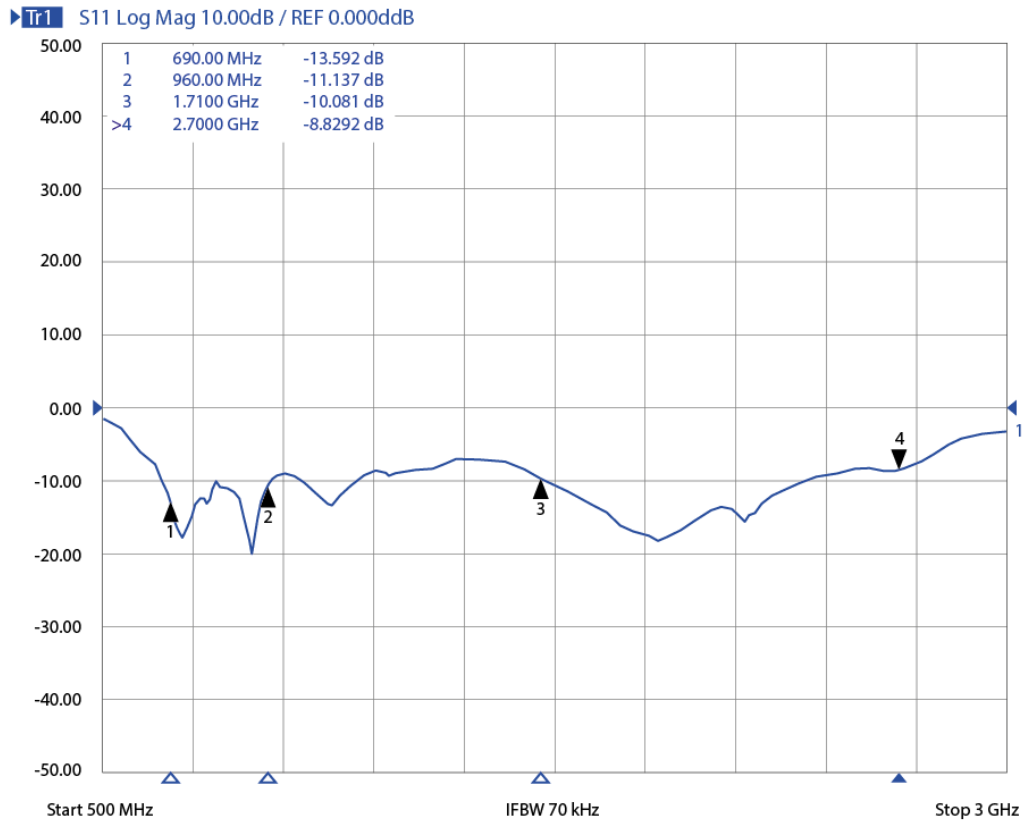
AO-ALTE-G196S

Technology	LTE
Frequency bands	690/960/1710/2700 MHz
Bandwidth	-
Gain	5 dBi
VSWR	<2.1:1
Impedance	50 Ohm
Directivity	Omnidirectional
Polarization	Linear
Maximum input power	10 W
Power voltage	-
Dimensions	196 x 38 x 13.8 mm
Weight	39.28 g
Operating temperature	-40 to +85 °C
Execution	External
Method of attachment	Screw Mount
Cable type	-
The cable length	-
Connector type	SMA(m)
Certification	RoHS
IP code	-
Material	ABS

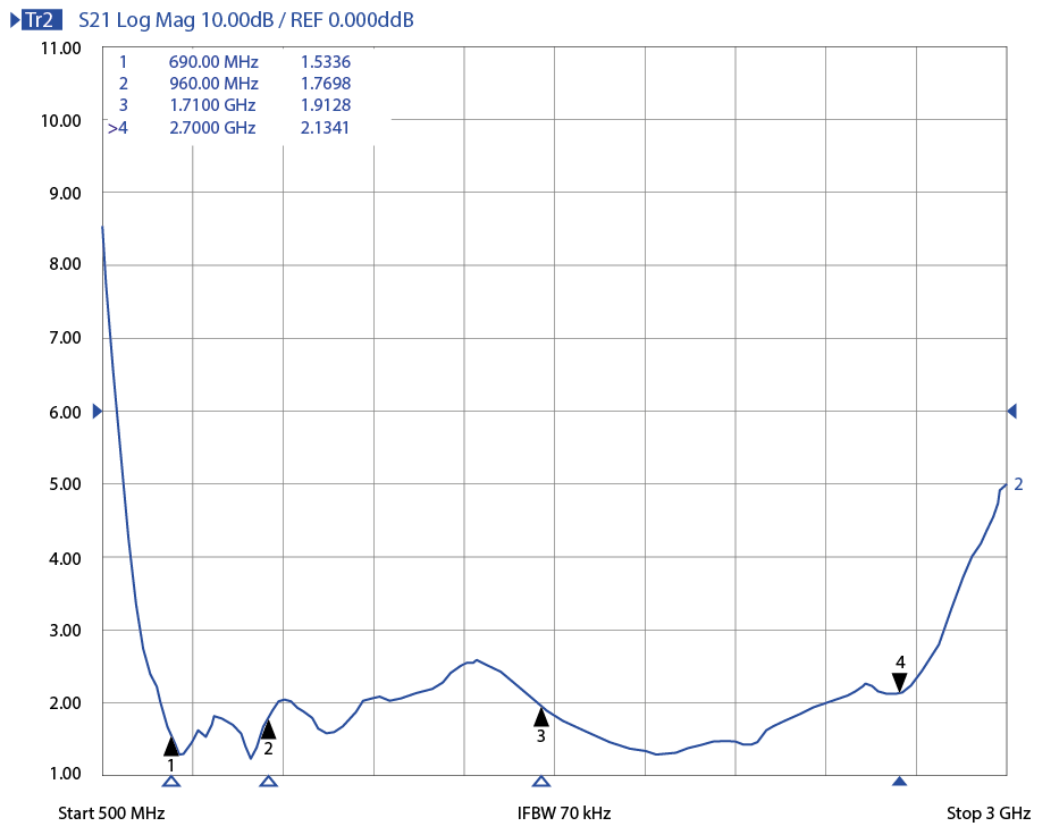
## DRAWING



$S_{11}$  - Return Loss [dB]



VSWR – Voltage standing wave ratio [-]



Frequency [MHz]	Gain [dBi]	VSWR [-]	$S_{11}$ [dB]
690	-0.5	1.53:1	-13.59
960	-1.36	1.77:1	-11.14
1710	1.2	1.91:1	-10.08
2700	1.62	1.13:1	-8.29

## VARIANTS

Different connector variants or cable lengths are available on request.

## CONTACTS

SECTRON s.r.o. Josefa Šavla 1271/12  
709 00 Ostrava 9, Czech Republic

WWW.SECTRON.CZ  
Tel.: +420 556 621 020