



LTE ANTENNA

Antenna LTE 410L Stick
90°/180°, 3 dBi, SMA(m)

AO-ALTE-G410LS

SECTRON company offers a wide portfolio of LTE antennas with various versions differing in shape, level of gain and manner of attachment. SECTRON guarantees a compatible connection between an antenna and all antenna adaptors produced by SECTRON.

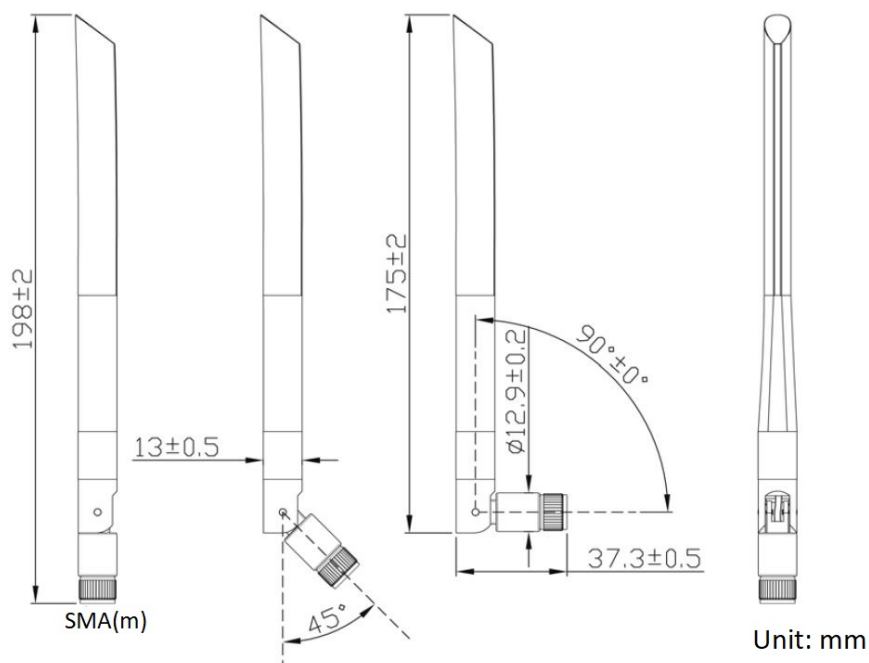
BENEFITS

- Easy installation
- No cable required
- High frequency range



Technology	GSM/UMTS/LTE
Frequency bands	700/800/900/1700/1800/1900/2100/2600 MHz
Bandwidth	-
Gain	3 dBi
VSWR	<3.0:1
Impedance	50 Ohm
Directivity	Omnidirectional
Beam angle	H 360° V 30°
Polarization	Vertical
Maximum input power	10 w
Power voltage	-
Dimensions	90°: 175 x 37.3, 180°: 198 x Ø 13 mm
Weight	26.08 g
Operating temperature	-40 to +95 °C
Execution	External
Method of attachment	Screw
Cable type	-
The cable length	-
Connector type	SMA (m)

DRAWING



CONTACTS