



LTE ANTENNA

Antenna LTE MIMO Screw Mount G605LM4 3.5 dBi, 4x SMA(m), 4x RG174/3m

AO-ALTE-G605LM4S

SECTRON company offers a wide portfolio of LTE antennas with various versions differing in shape, level of gain and manner of attachment. SECTRON guarantees a compatible connection between an antenna and all antenna adaptors produced by SECTRON.

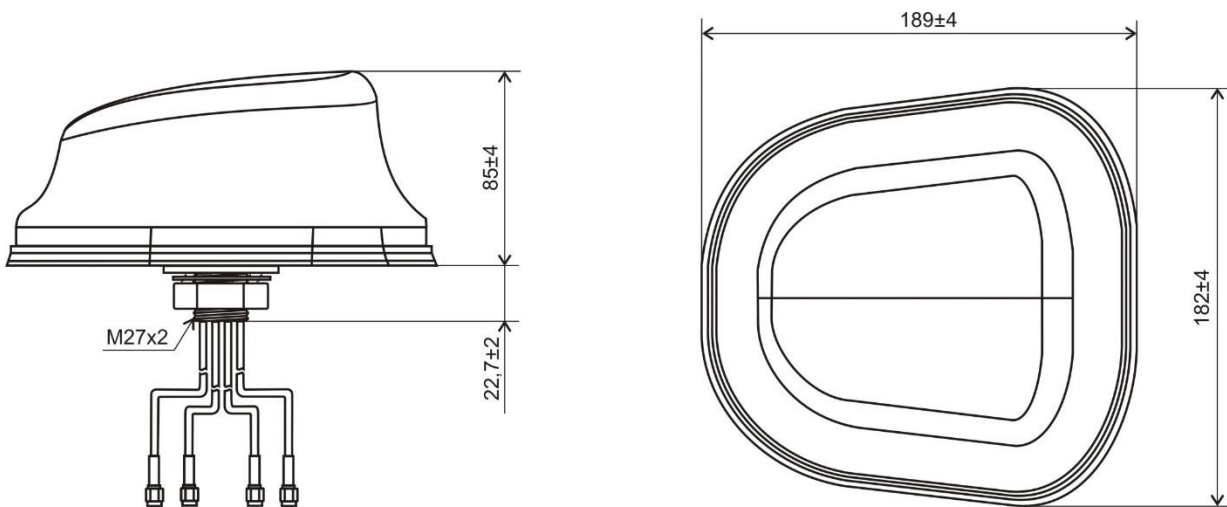


BENEFITS

- High frequency range
- Omnidirectional - suitable for moving devices
- Anti-vandal design

Technology	GSM/UMTS/LTE
Frequency bands	700/800/900/1700/1800/1900/2100/2400/2600/2700 MHz
Bandwidth	-
Gain	3.5 dBi
VSWR	<3.0:1
Impedance	50 Ohm
Directivity	Omnidirectional
Beam angle	H 360° V 30°
Polarization	Linear
Maximum input power	10 W
Power voltage	-
Dimensions	189 x 182 x 85 mm
Weight	-
Operating temperature	-40 to +85 °C
Execution	External
Method of attachment	Screw Mount
Cable type	RG174/U
The cable length	4 x 3 m
Connector type	4 x SMA(m)

DRAWING



UNIT: mm

Different connector variants or cable lengths are available on request.