



LTE/UMTS/GSM ANTENNA

Antenna LTE/UMTS/GSM OMNI,
7 dBi, SMA(m), RG195/5 m

AO-ALTE-OM57

SECTRON company offers a wide portfolio of LTE/UMTS/GSM antennas with various versions differing in shape, level of gain and manner of attachment. SECTRON guarantees a compatible connection between an antenna and all antenna adaptors produced by SECTRON.



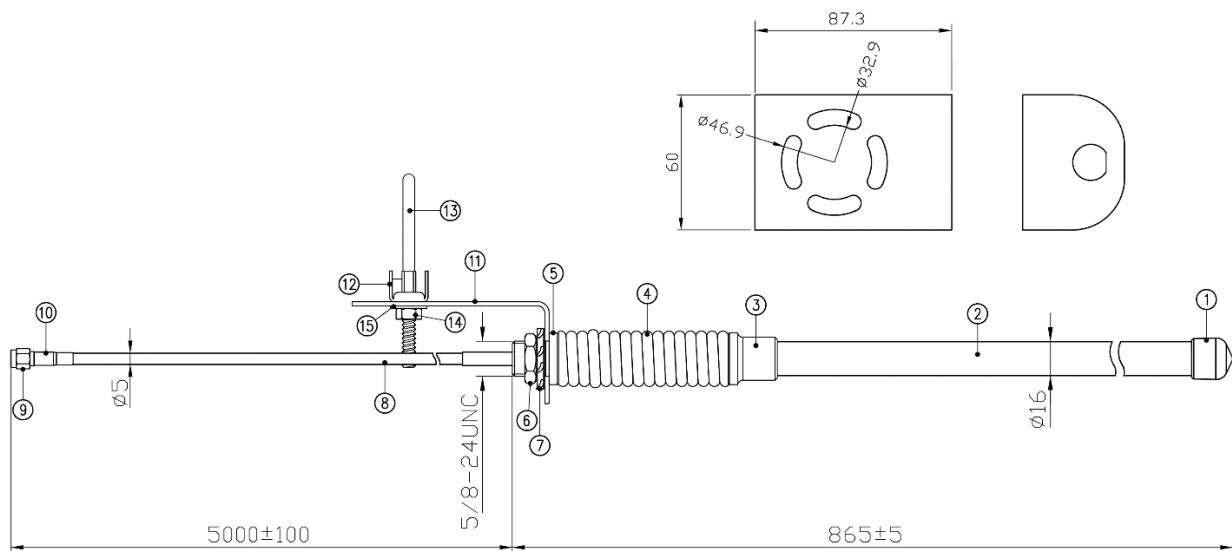
BENEFITS

- High frequency range
- High gain

Technology	LTE/UMTS/GSM	Power voltage	-
Frequency bands	800/900/1800/1900/ 2100/2600/2700 MHz	Dimensions	855 x Ø 46.9 mm
Bandwidth	-	Weight	750 g
Gain	7 dBi	Operating temperature	-20 to +60 °C
VSWR	<3:1	Execution	External
Impedance	50 Ohm	Method of attachment	Mounting
Directivity	Omnidirectional	Cable type	RG195/U
Beam angle	H 360° V 30°	The cable length	5 m
Polarization	Linear	Connector type	SMA(m)
Maximum input power	50 W		

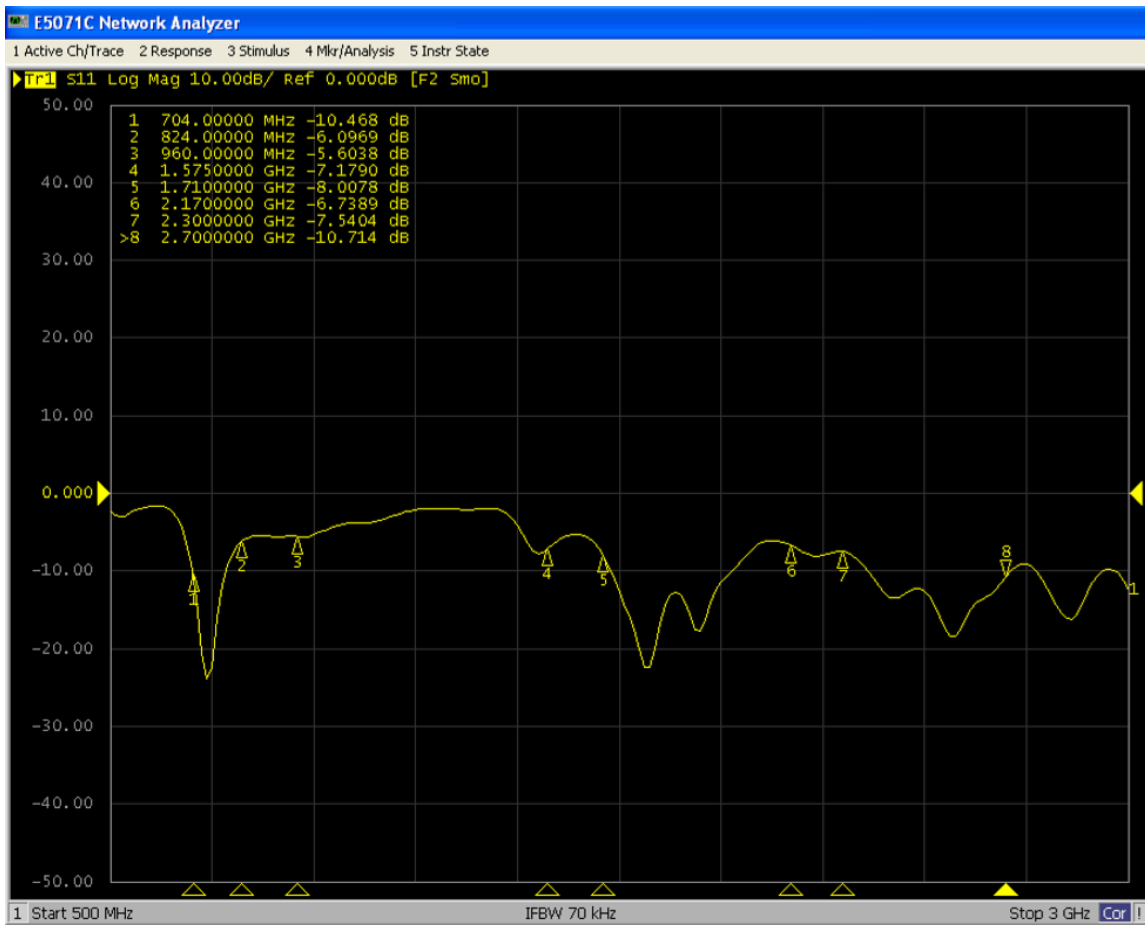
DRAWING

AO-ALTE-OM57

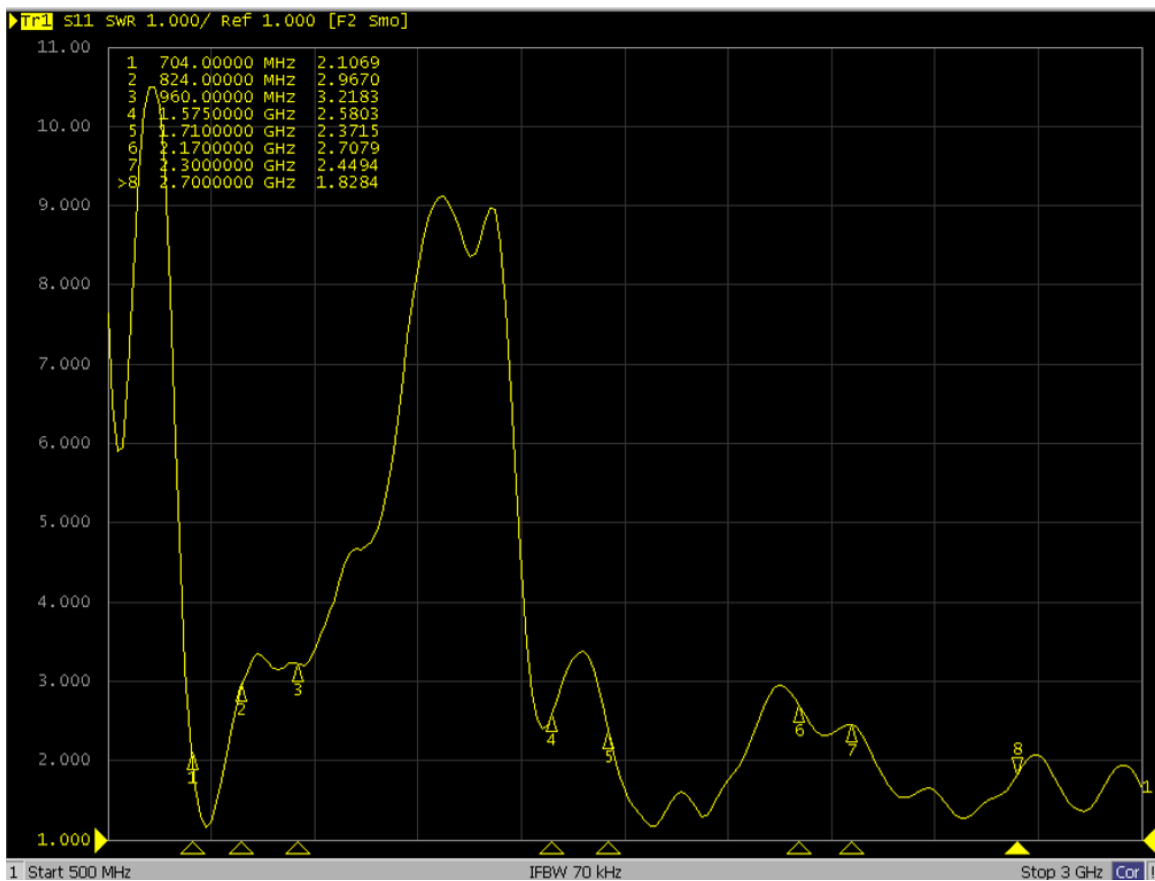


NO.	NAME	MATERIAL	FINISH	Q.TY
01	Top cap	PVC	Black	01
02	Tubing plastic	Fiberglass	Black	01
03	Connecting voooper pipe	Brass	Nickel plating	01
04	Spring coil	Stainless steel (304)		01
05	Spring base	Brass	Nickel plating	01
06	Hexagonal nut	Brass	Nickel plating	01
07	Washer	Stainless steel (304)		01
08	LMR-195 Cable	PVC	Black	01
09	SMA(Male)	Brass	Nickel plating	01
10	Heat-shrink tube	Polyolefin	Black	01
11	Fixed set	Stainless steel (304)		01
12	Clip retaining	Stainless steel (304)		01
13	U-Circlip	Stainless steel (304)		01
14	Hexagonal nut	Stainless steel (304)		02
15	Washer	Stainless steel (304)		02

S11 - RETURN LOSS



VSWR – STANDING WAVE RATIO



Frequency [MHz]	Gain [dBi]	Efficiency [%]
690	2.78	85.52
800	6.7	89.44
850	1.87	55.69
900	3.20	60.04
960	2.05	55.87
1800	5.08	62.08
1900	4.12	52.59
2100	1.58	56.01
2300	2.96	64.46

VARIANTS

Different connector variants or cable lengths are available on request.

CONTACTS

SECTRON s.r.o. Josefa Šavla 1271/12
709 00 Ostrava 9, Czech Republic

WWW.SECTRON.CZ
Tel.: +420 556 621 021