



UMTS/GSM ANTENNA

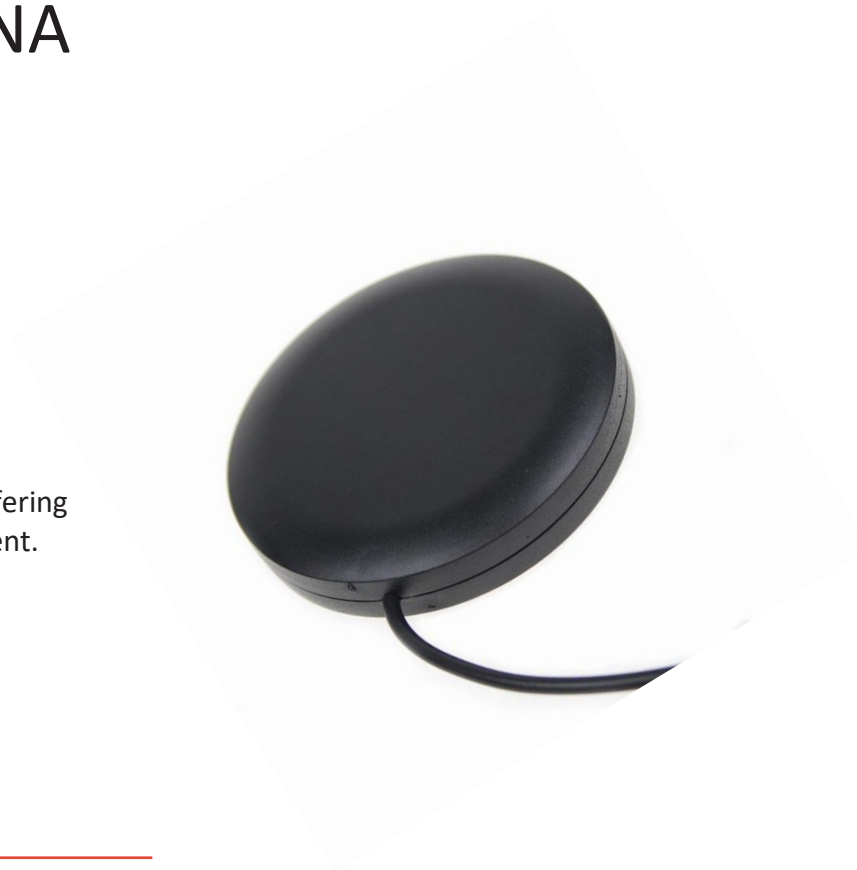
Antenna UMTS/GSM
Adhesive 011, SMA(m),
RG174/3m

AO-AUMTS-G011S

SECTRON company offers a wide portfolio of UMTS/GSM antennas with various versions differing in shape, level of gain and manner of attachment. SECTRON guarantees a compatible connection between an antenna and all antenna adaptors produced by SECTRON.

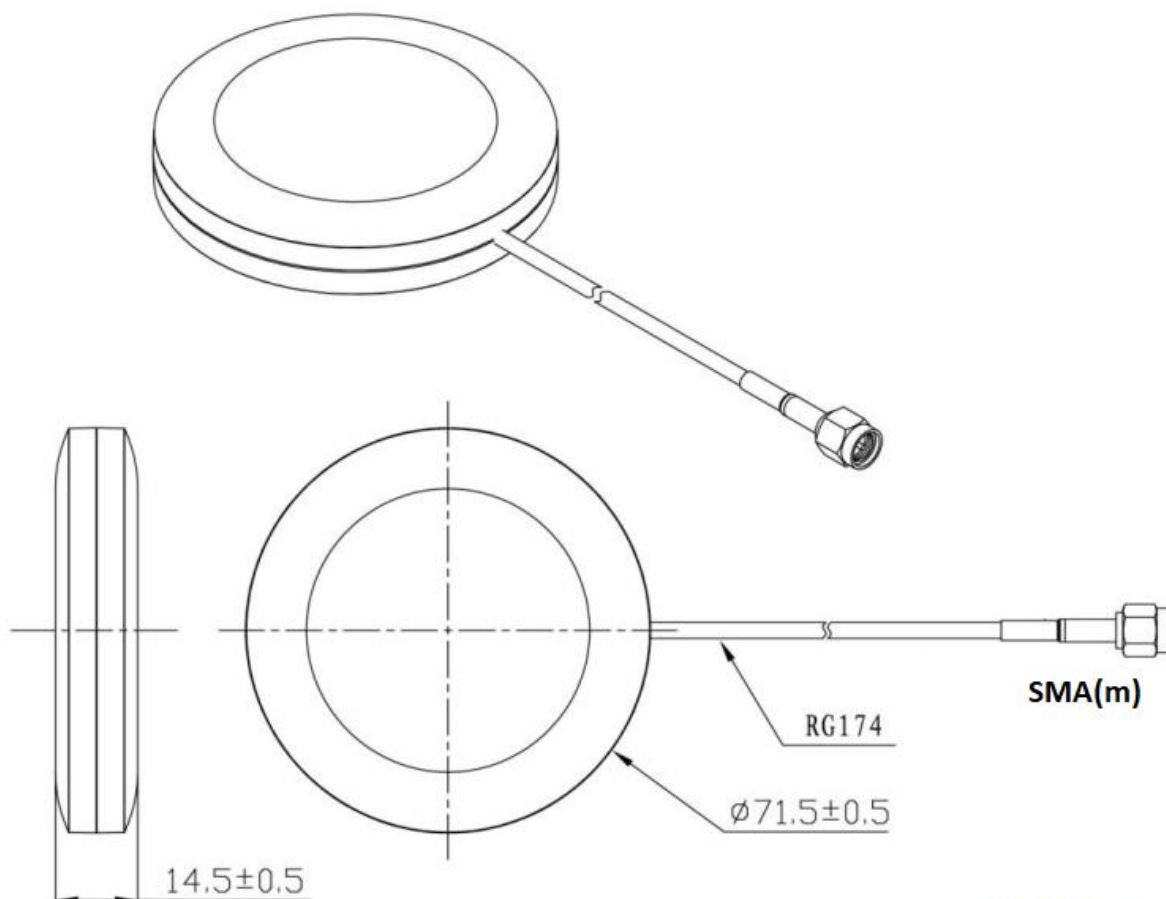
BENEFITS

- Anti-vandal design
- Omnidirectional - suitable for moving devices
- Easy installation

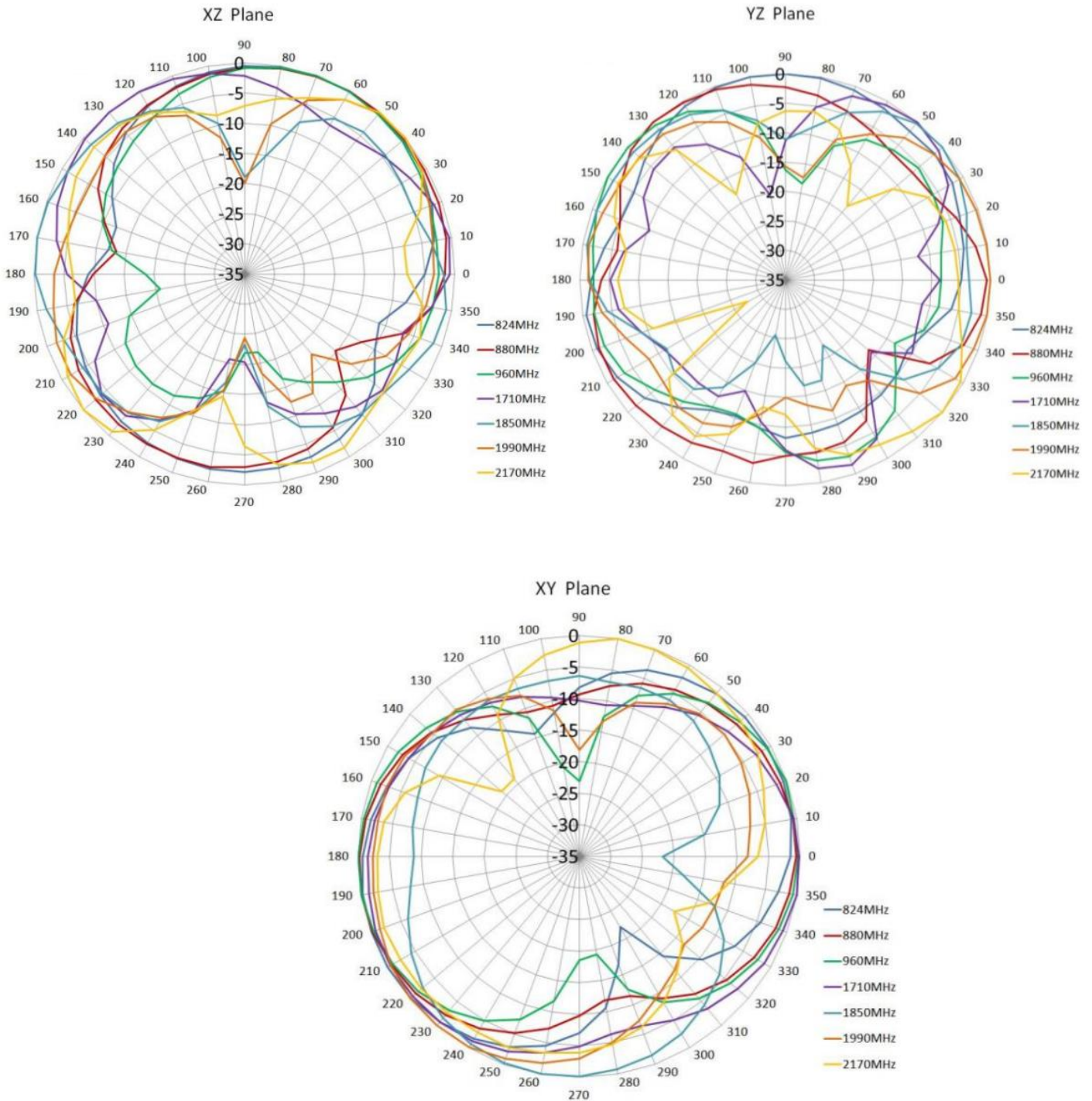


Technology	GSM/UMTS
Frequency bands	800/900/1700/1800/1900/2100 MHz
Bandwidth	-
Gain	2 dBi
VSWR	<2.5:1
Impedance	50 Ohm
Directivity	Omnidirectional
Beam angle	H 360° V 30°
Polarization	Vertical
Maximum input power	10W
Power voltage	-
Dimensions	∅ 71.5 x 14.5 mm
Weight	68.64 g
Operating temperature	-40°C to +85°C
Execution	External
Method of attachment	Adhesive
Cable type	RG174 / U
The cable length	3 m
Connector type	SMA(m)

DRAWING



Unit: mm



Different connector variants or cable lengths are available on request.