



## UMTS/GSM ANTENNA

Antenna UMTS/GSM

Magnetic 016, 2 dBi, SMA(m),  
RG174/5m

AO-AUMTS-G016S5

SECTRON company offers a wide portfolio of UMTS/GSM antennas with various versions differing in shape, level of gain and manner of attachment. SECTRON guarantees a compatible connection between an antenna and all antenna adaptors produced by SECTRON.

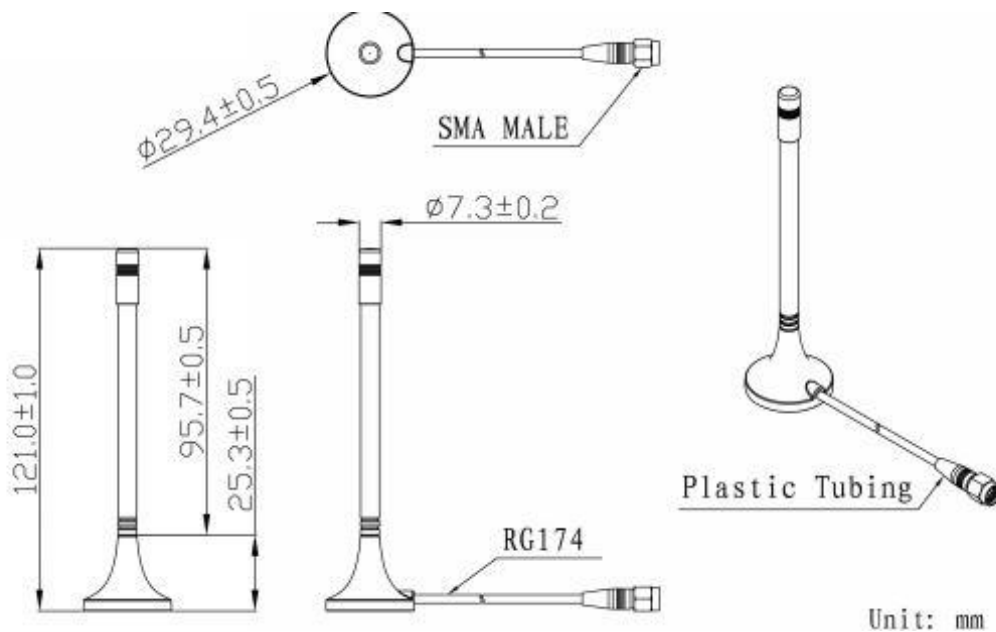


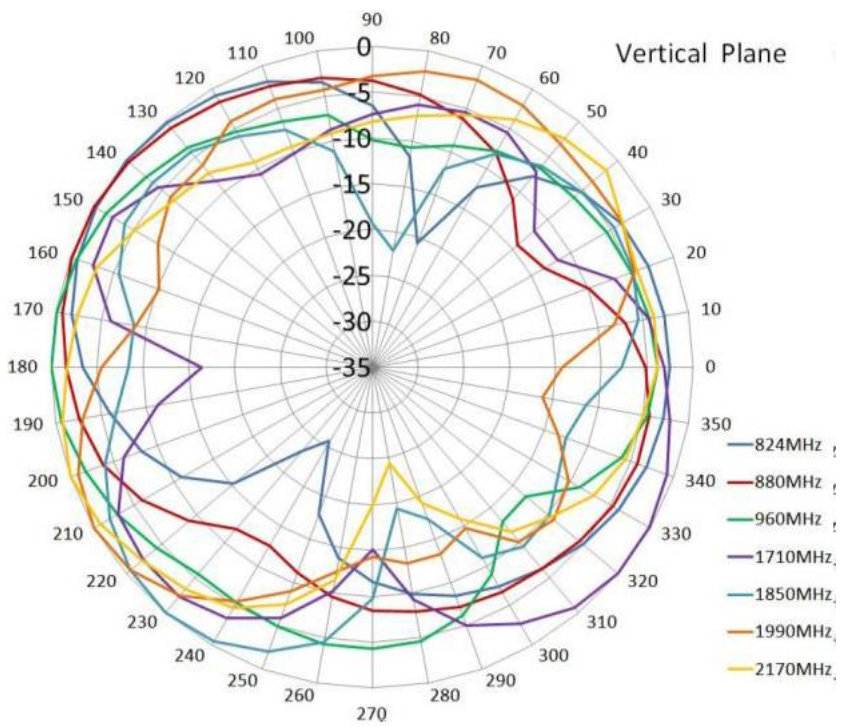
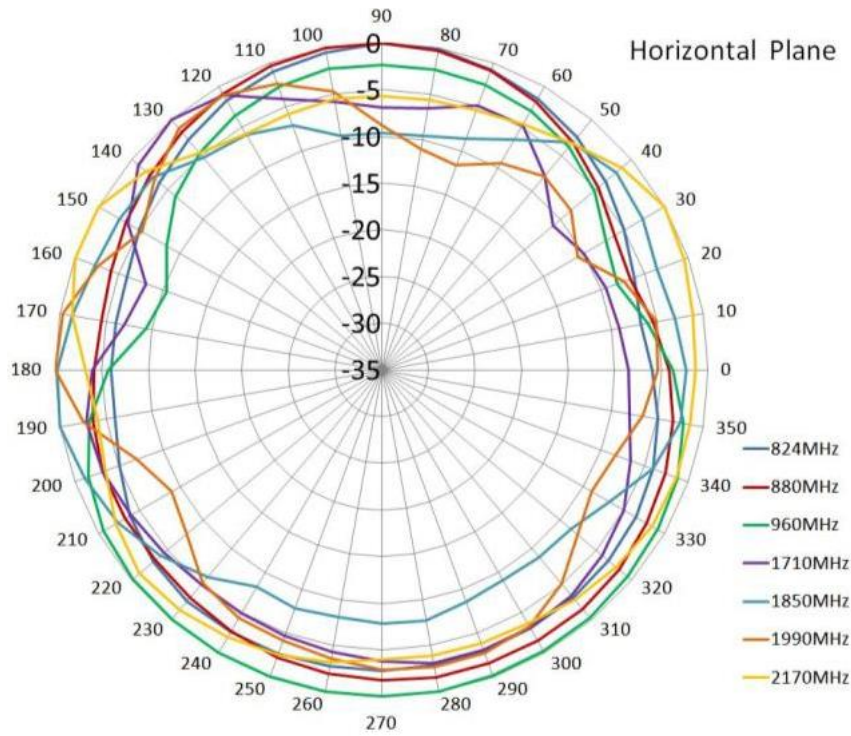
### BENEFITS

- Low VSWR
- Easy installation
- Omnidirectional - suitable for moving devices

Technology	UMTS/GSM
Frequency bands	800/900/1700/1800/1900/2100 MHz
Bandwidth	-
Gain	2 dBi
VSWR	<2.0:1
Impedance	50 Ohm
Directivity	Omnidirectional
Beam angle	H 360° V 30°
Polarization	Vertical
Maximum input power	10 W
Power voltage	-
Dimensions	121 x 29.4 mm
Weight	67.69 g
Operating temperature	-40 to +85 °C
Execution	External
Method of attachment	Magnetic
Cable type	RG174/U
The cable length	5 m
Connector type	SMA (m)

DRAWING





VARIANT	PART NUMBER
Antenna UMTS/GSM Magnetic 016, 2 dBi, SMA(m), RG174/3m	AO-AUMTS-G016S

## CONTACTS

SECTRON s.r.o. Josefa Šavla 1271/12  
709 00 Ostrava 9, Czech Republic

WWW.SECTRON.CZ  
Tel.: +420 556 621 021