

RF CABLE ASSEMBLIES

SMA (female) cable, straight

MS-151 90° (male) cable, right angle

RG174 (o.d.: 2.80 mm), 15cm

SECTRON assemblies in its own factory placed in the Czech republic a series of RF Coaxial Cable Assemblies using cable types H155, RF195/LMR195, RG174, RG178 and original Hirose and Murata ultra miniature coaxial cables of diameter starting at 0.8 mm. For RF cable adaptors are used connectors U.FL, GSC, FME, SMA, SMB, MCX, MMCX, TNC, N, MC Card and SMP.

Features and benefits

- Continuous Production Quality Management Process
- High Quality of Soldered Joint
- Low Insertion Loss
- Reliable Mechanical Connection
- Built of Order Production of RF Cable Assemblies



WiFi



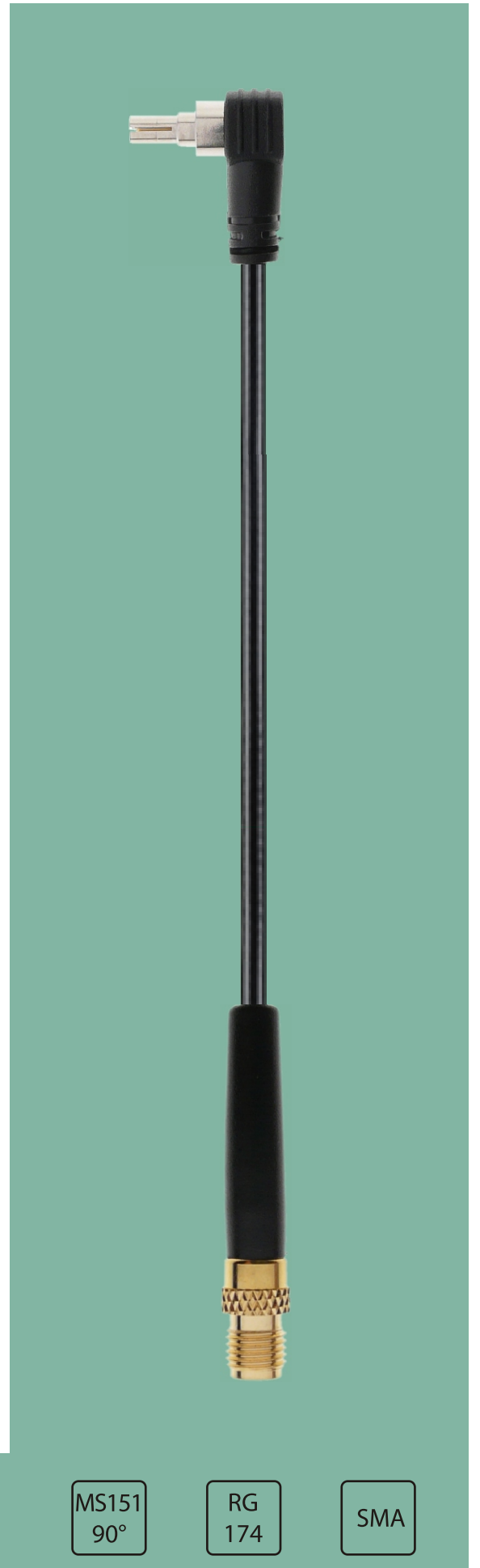
Bluetooth



GPS



GSM



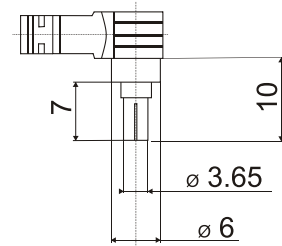
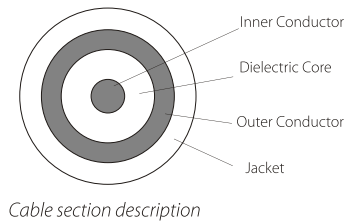
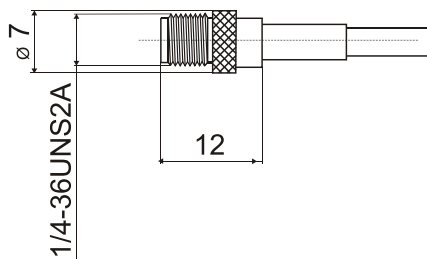
MS151
90°

RG
174

SMA

Specification

Frequency	0 - 3 GHz
VSWR	1.3 max. at 1.0 GHz / 1.5 max. at 2.0 GHz
Nominal Impedance	50 Ω
Temperature range	-40 °C to + 75 °C
Voltage	250 V AC (rms)
Insulation Resistance	200 MΩ min.
Insertion Loss	0.4 dB max. at 1.0 GHz / 0.65 dB max. at 2.0 GHz



Units: mm

SMA connector

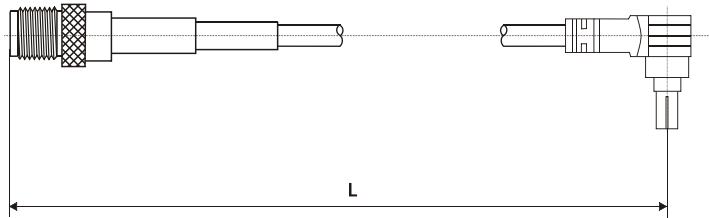
Body	Brass, Gold plated
Contact	BeCu, Gold plated
Insulator	PTFE
Ferrule	Brass, Nickel plated, plastic

Cable RG174

Inner Conductor	7/0.16 mm
	FeCu wire
Dielectric Core	PE
Outer Conductor	CuSn wire
Jacket	PVC II, Dia. 2.8 mm black

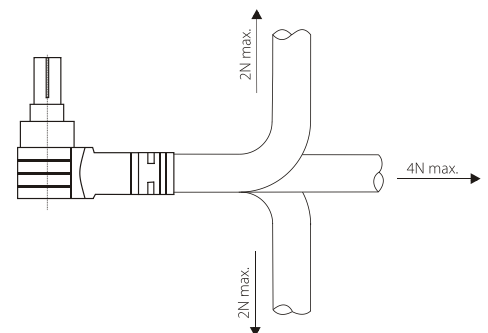
MS-151 90° connector

Body	Brass, Nickel plated
Contact	Brass, Gold plated
Insulator	Teflon
Cover	Plastic



Part numbering

L = 200 ±3 mm AO-KAHE160S15 SMA(f) to MS-151 90°(m), RG174, 15 cm



Mechanical stress

Limitation stress to the outer sleeve, see picture.
Min. radius for bending: 15/30 mm repetitive

SECTRON s. r. o. Czech Republic

Výstavní 2510/10, 709 00 Ostrava - Mar. Hory

Tel.: +420 596 639 953 Fax: +420 596 626 467

E-mail: sales@sectron.cz, www.sectron.eu