



Lightning arrester N(m)/N(f)

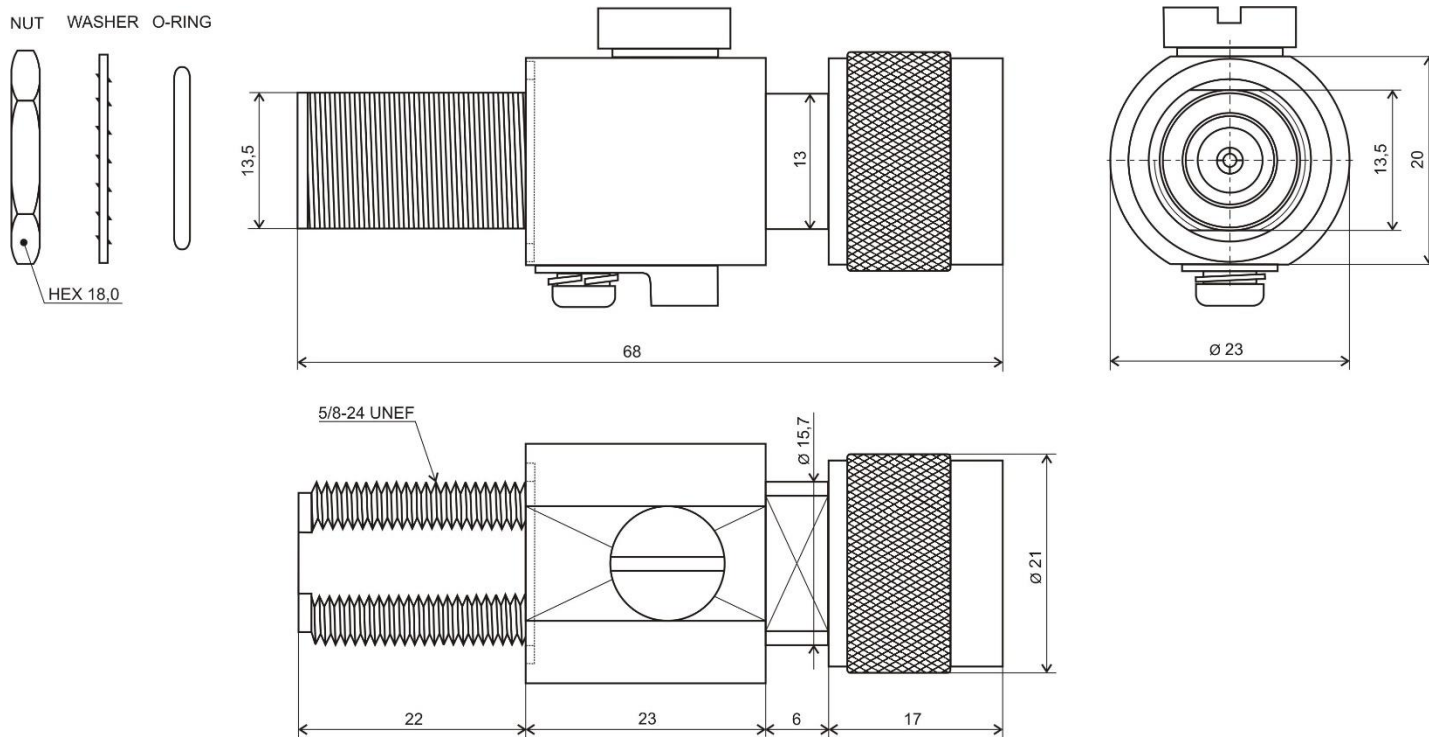
AO-LA-N

SECTRON company offers a wide portfolio of lightning arresters with various versions differing in connector types. SECTRON guarantees a compatible connection between an antenna and all antenna adaptors produced by SECTRON.



Frequency range	0 - 6 GHz
VSWR	1: 1.3
Insertion loss	0.5 dBi
Impedance	50 Ω
Insulation resistance	≥ 10000 MΩ
Max withstand current	20 A
Gas tube impulse breakdown voltage	≤ 700 V
Max Withstand Current	5 KV
Gas tube DC	230 V ± 20 %
RF power rating	15 W

DRAWING



UNIT: mm

CONTACTS

SECTRON s.r.o. Josefa Šavla 1271/12
709 00 Ostrava 9, Czech Republic

WWW.SECTRON.CZ
Tel.: +420 556 621 020