

RF CABLE ASSEMBLIES

RF Antenna switching connector MCX (female) switch connector for PCB

This microminiature switching connector automatically switch from internal circuit and an external circuit when mated. It is ideal for portable wireless devices allowing automatically switching between the internal antenna and higher-gain external antenna.

SECTRON assemblies in its own factory placed in the Czech republic a series of RF Coaxial Cable Assemblies using cable types H155, RF195/LMR195, RG174, RG178 and original Hirose and Murata ultra miniature coaxial cables of diameter starting at 0.8 mm. For RF cable adaptors are used connectors U.FL, GSC, FME, SMA, SMB, MCX, MMCX, TNC, N, MC Card and SMP.

Features and benefits

- Continuous Production Quality Management Process
- High Quality of Soldered Joint
- Low Insertion Loss
- Reliable Mechanical Connection



WiFi



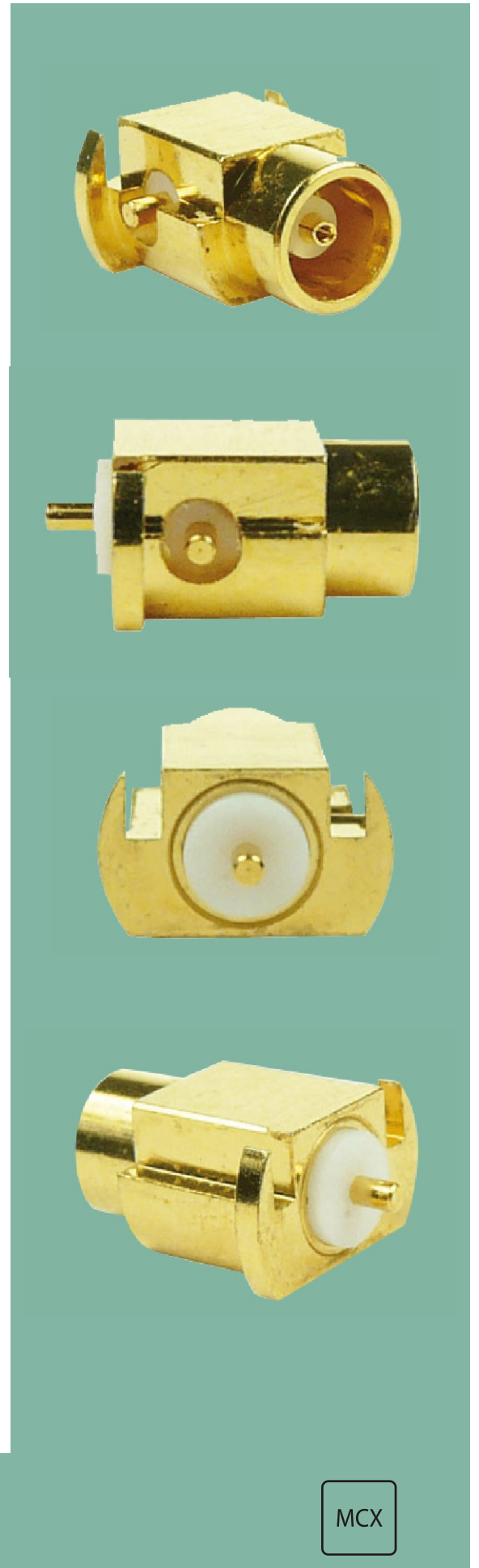
Bluetooth



GPS



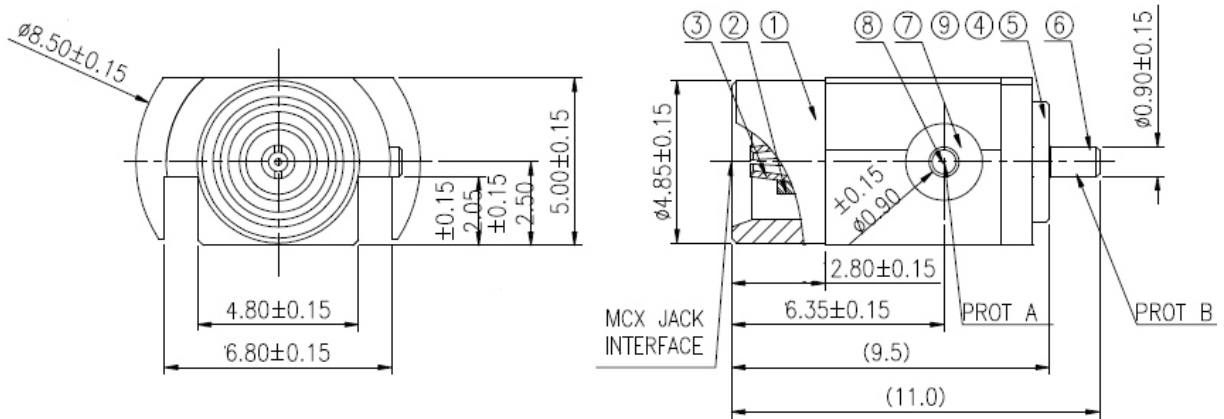
GSM



MCX

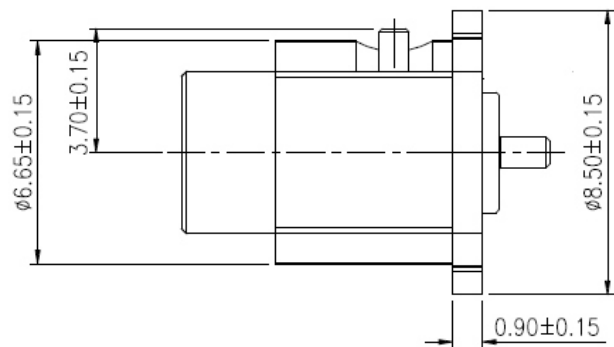
Specification

| | |
|-----------------------|---|
| Frequency | 0 - 6 GHz |
| VSWR | 1.1 max. at 1.0 GHz / 1.2 max. at 2.0 GHz |
| Nominal Impedance | 50 Ω |
| Temperature range | -20 °C to + 165 °C |
| Voltage | 500 V AC (rms) |
| Insulation Resistance | 0.005 Ω max. |
| Insertion Loss | 0.1 dB max. at 1.0 GHz / 0.1 dB max. at 2.0 GHz |



MCX connector

- | | |
|--------------------|------------------------------------|
| 1 - Body | Brass, Gold over nickel |
| 2 - Insulator 1 | PTFE |
| 3 - Socket contact | Beryllium Copper, Gold over nickel |
| 4 - Ring | Brass, Gold over nickel |
| 5 - Insulator 2 | PTFE |
| 6 - Pin contact 1 | Brass, Gold over nickel |
| 7 - Insulator 3 | PTFE |
| 8 - Pin contact 2 | Brass, Gold over nickel |
| 9 - Spring | SWP-B, Gold over nickel |



Part numbering

AO-MFES-01 MCX (female) switch connector for PCB